

SMART

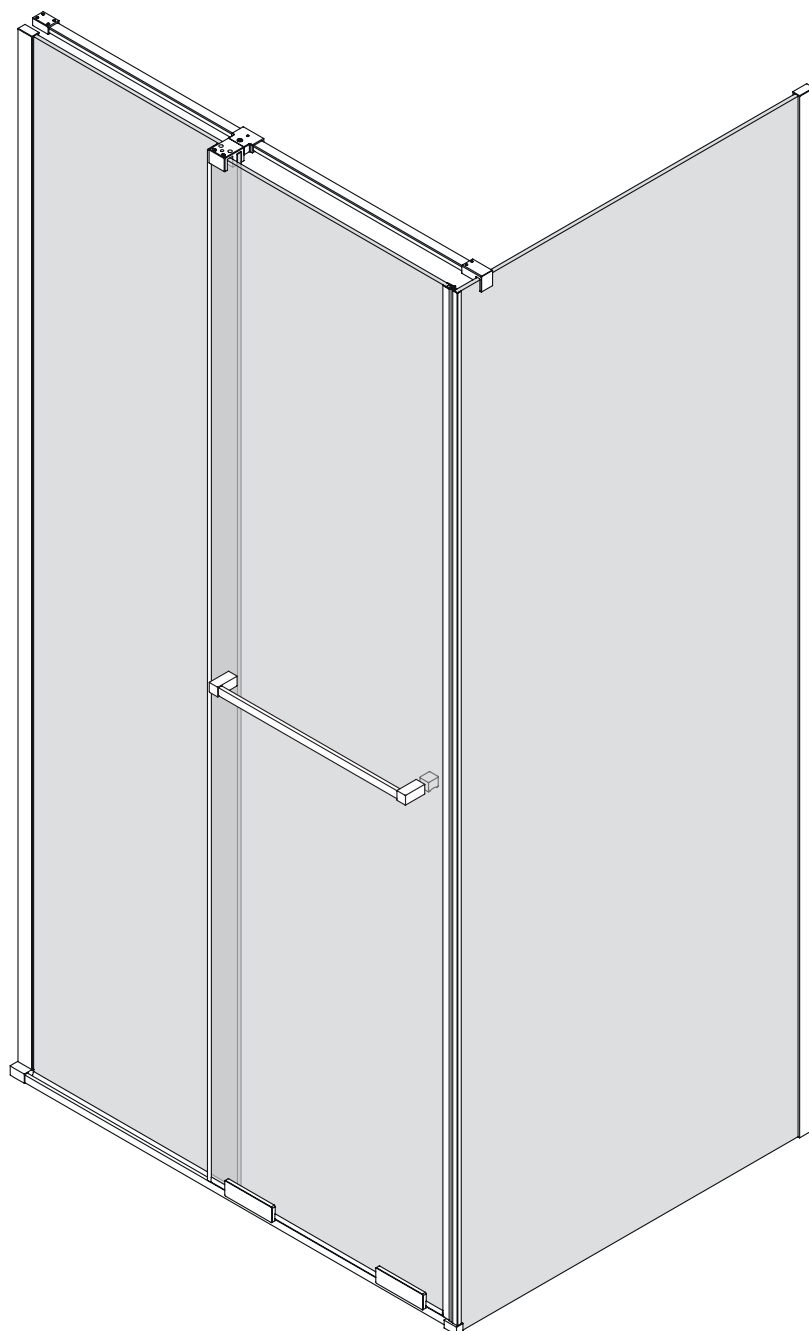
NEW TRENDY Sp. z o.o.

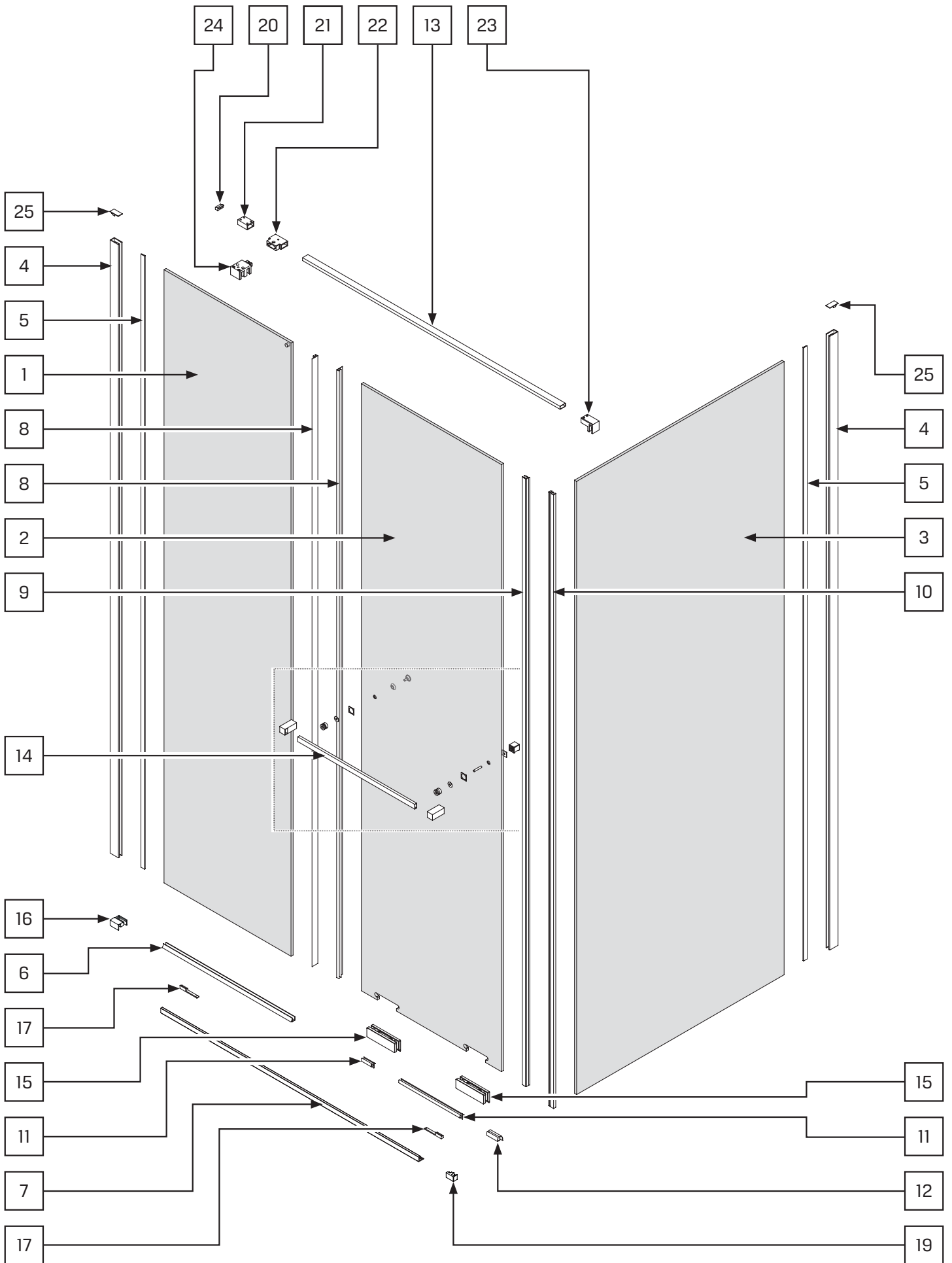
ul. Taszarowo 18
62-100 Wągrowiec
Tel. 67 262 12 66
E-mail: serwis@newtrendy.pl

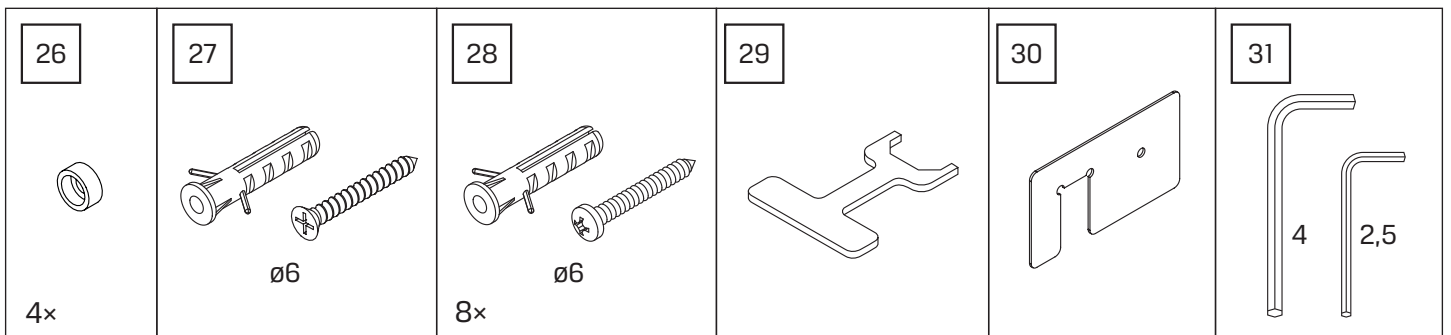
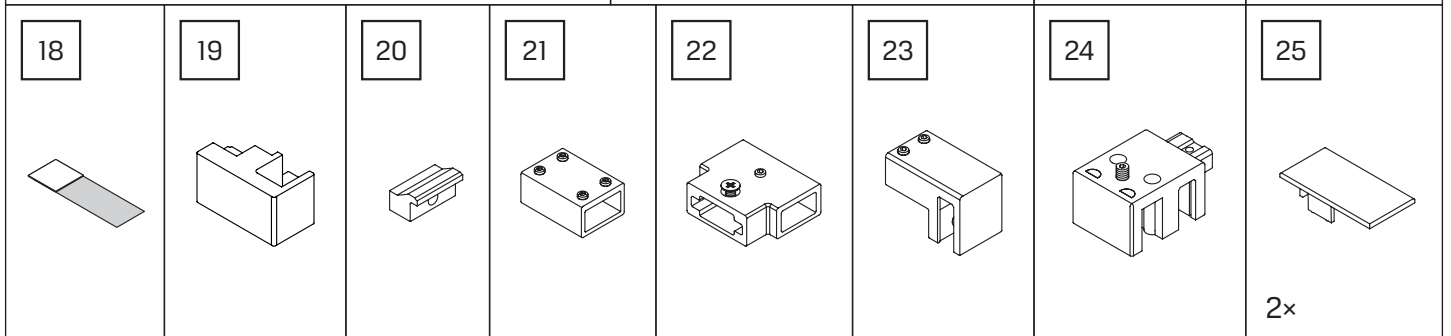
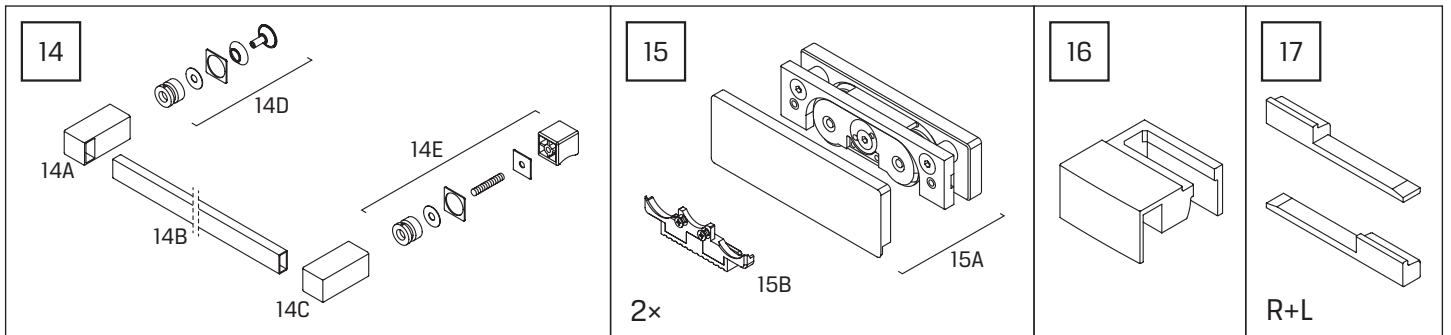
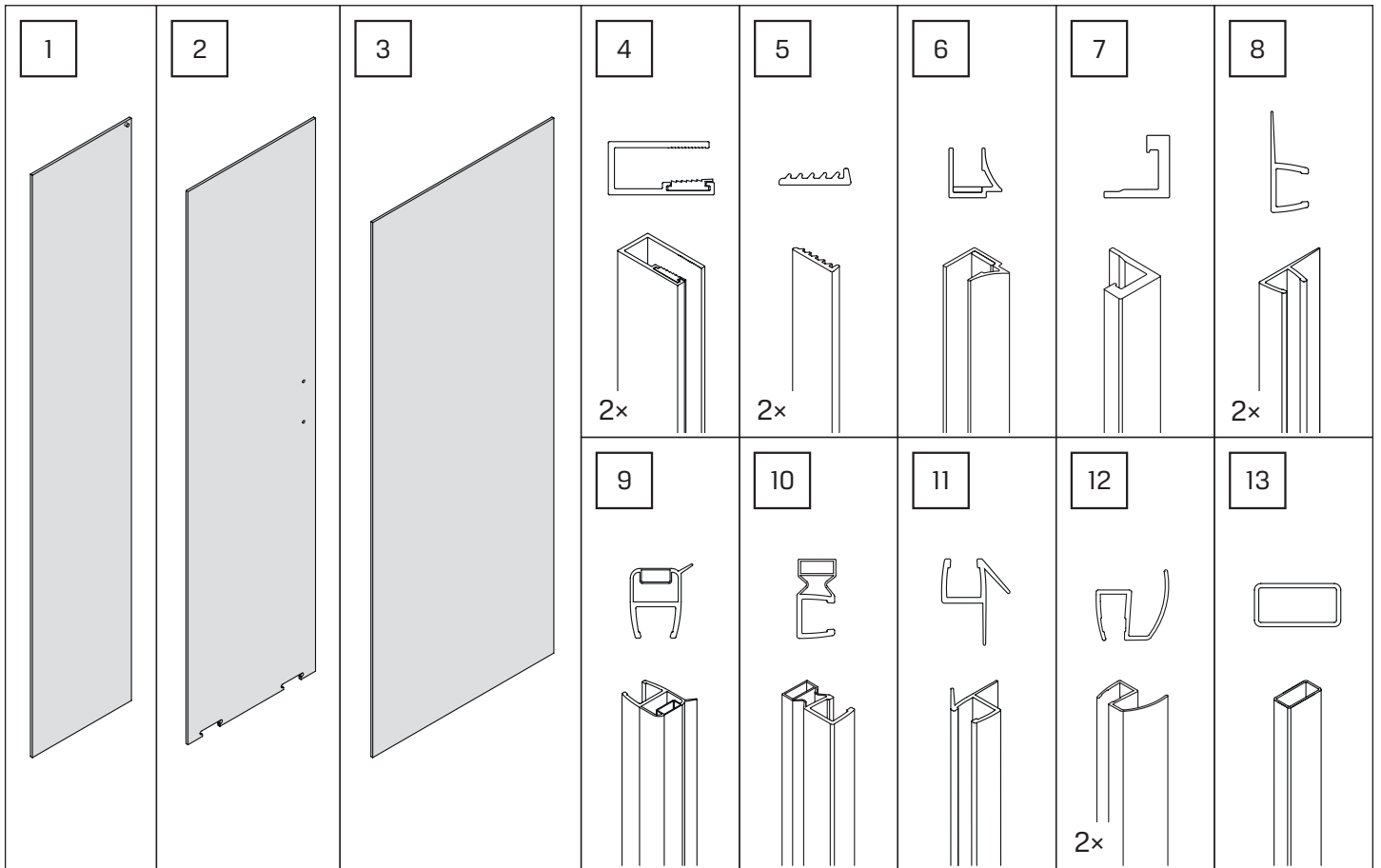


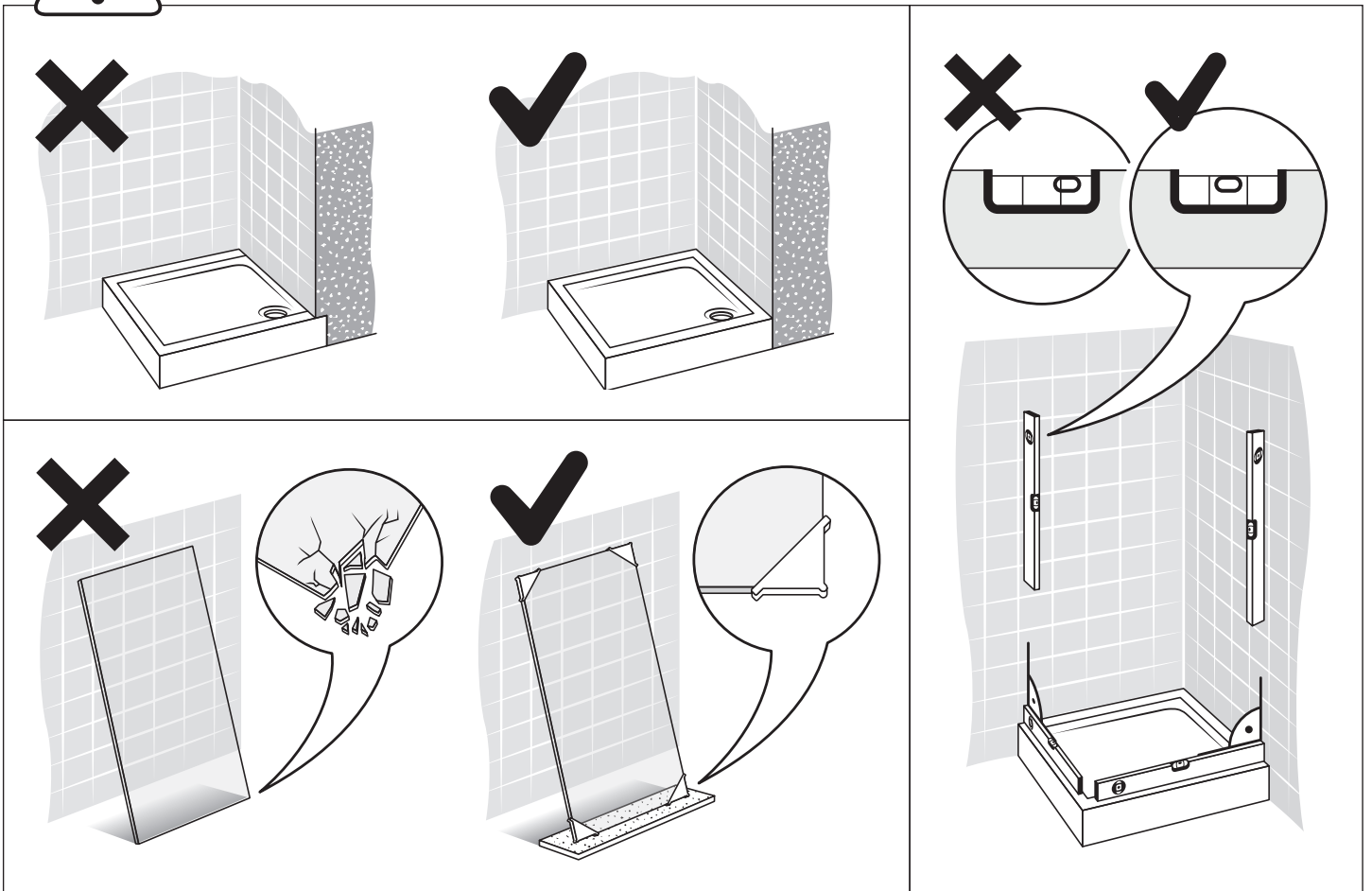
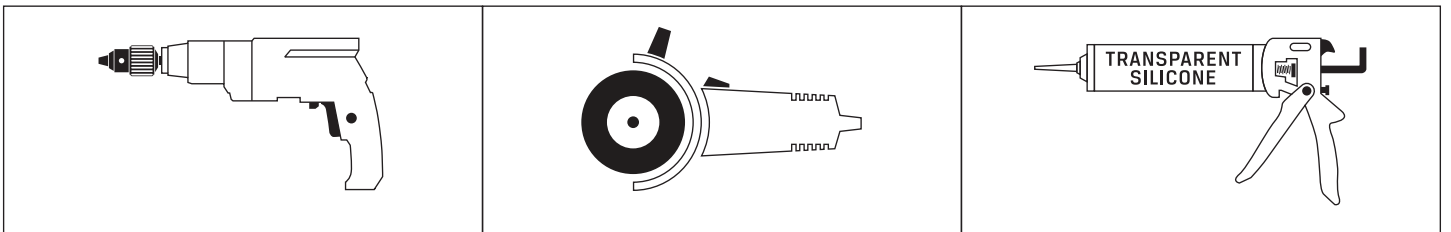
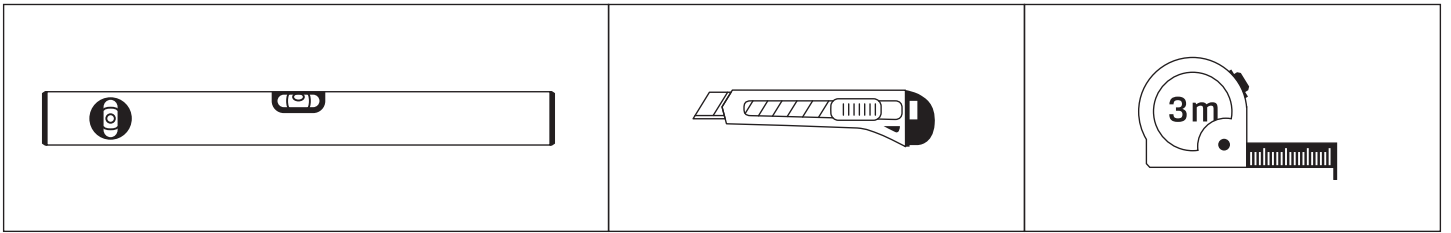
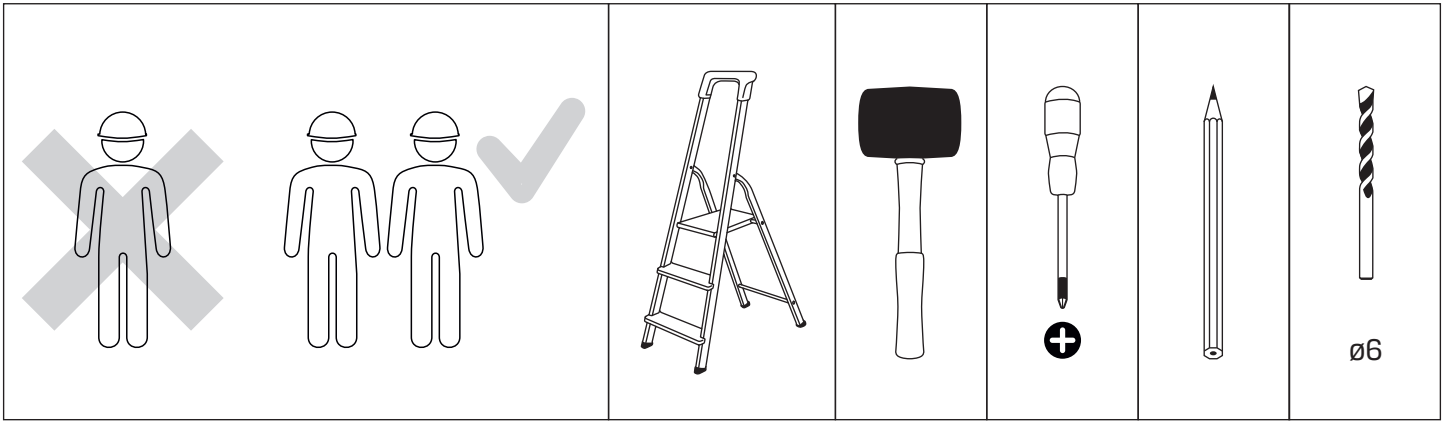
I-0877

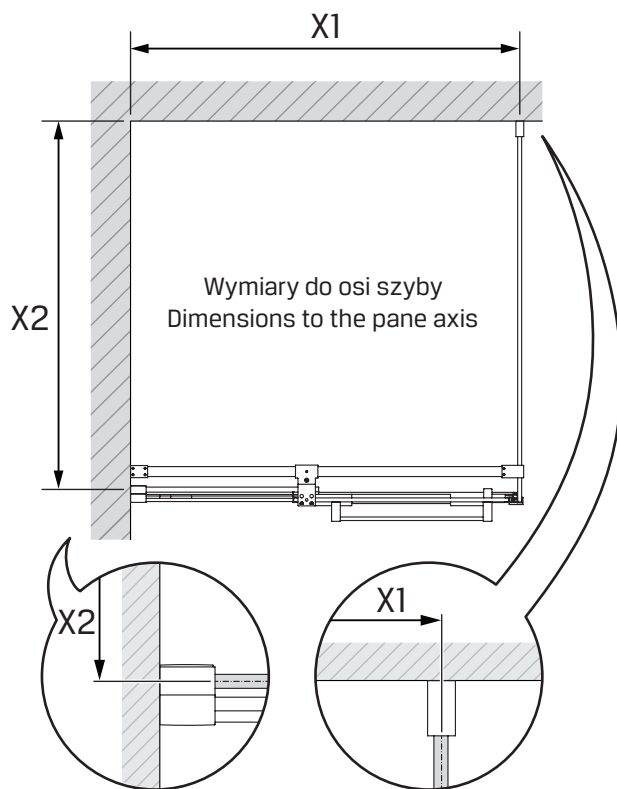
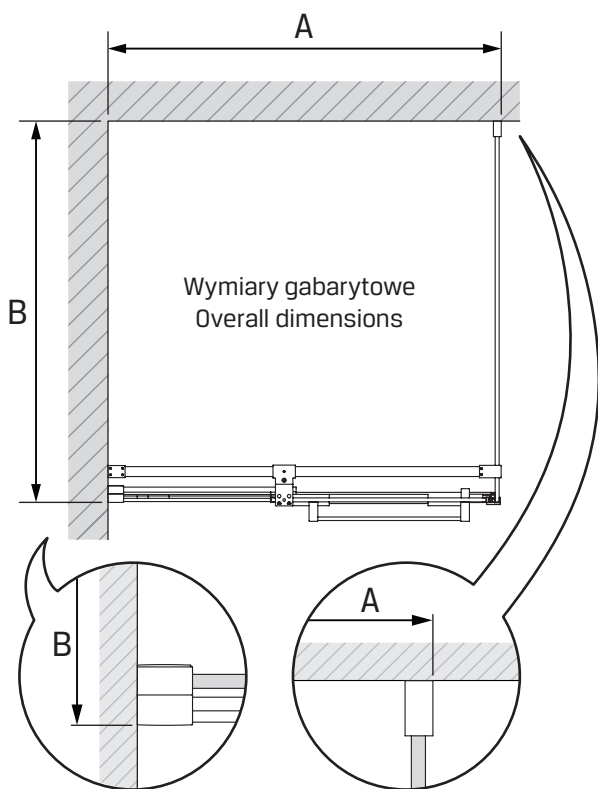
v. 02









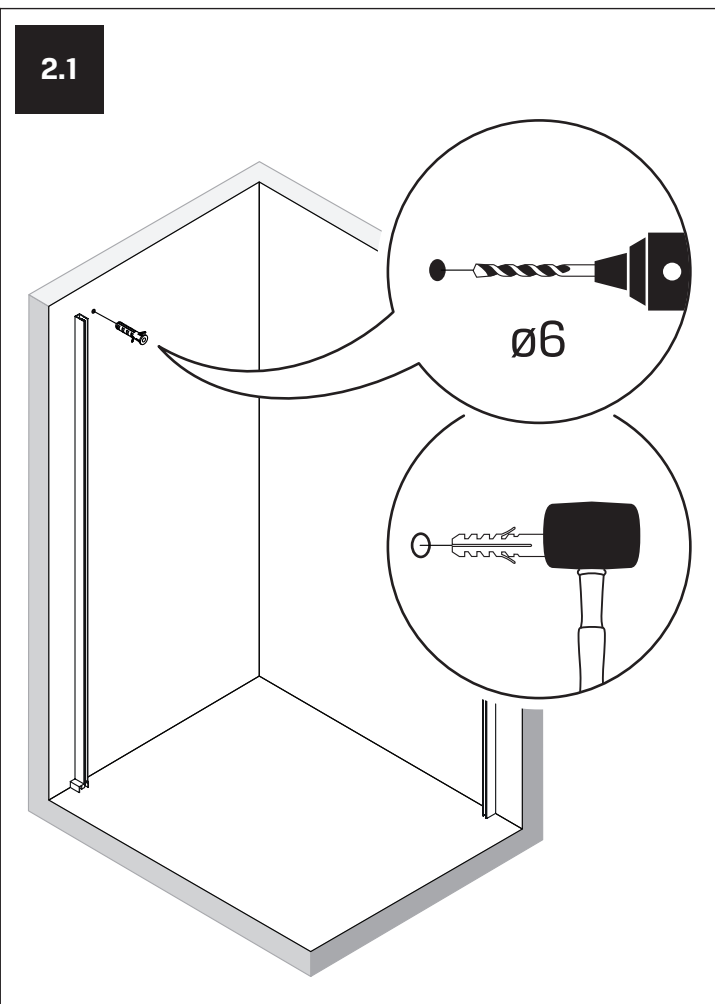
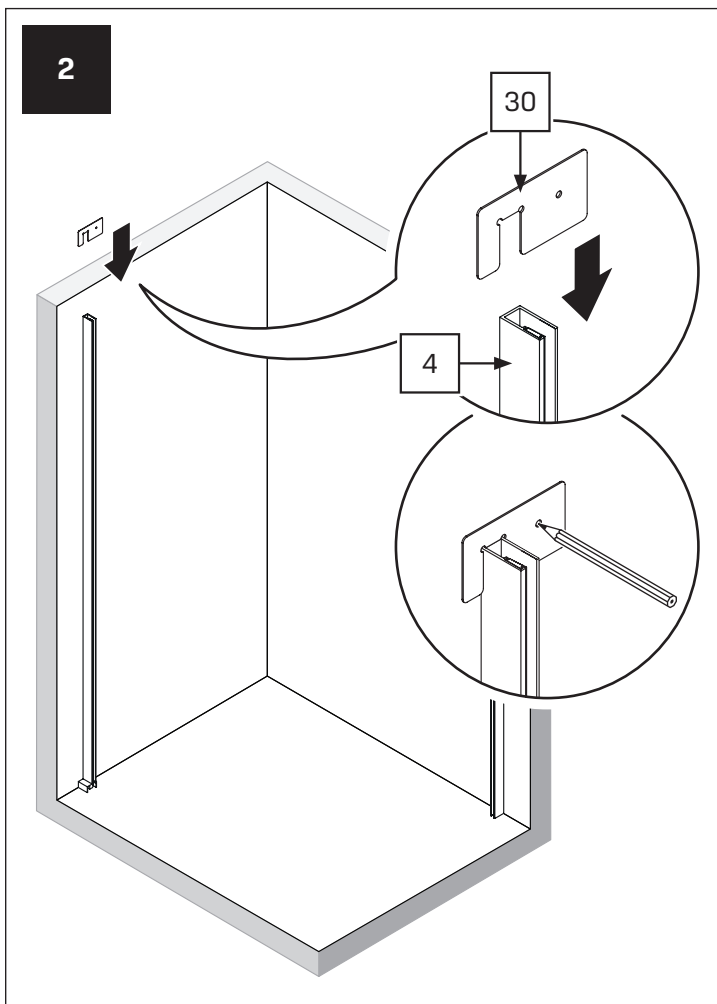
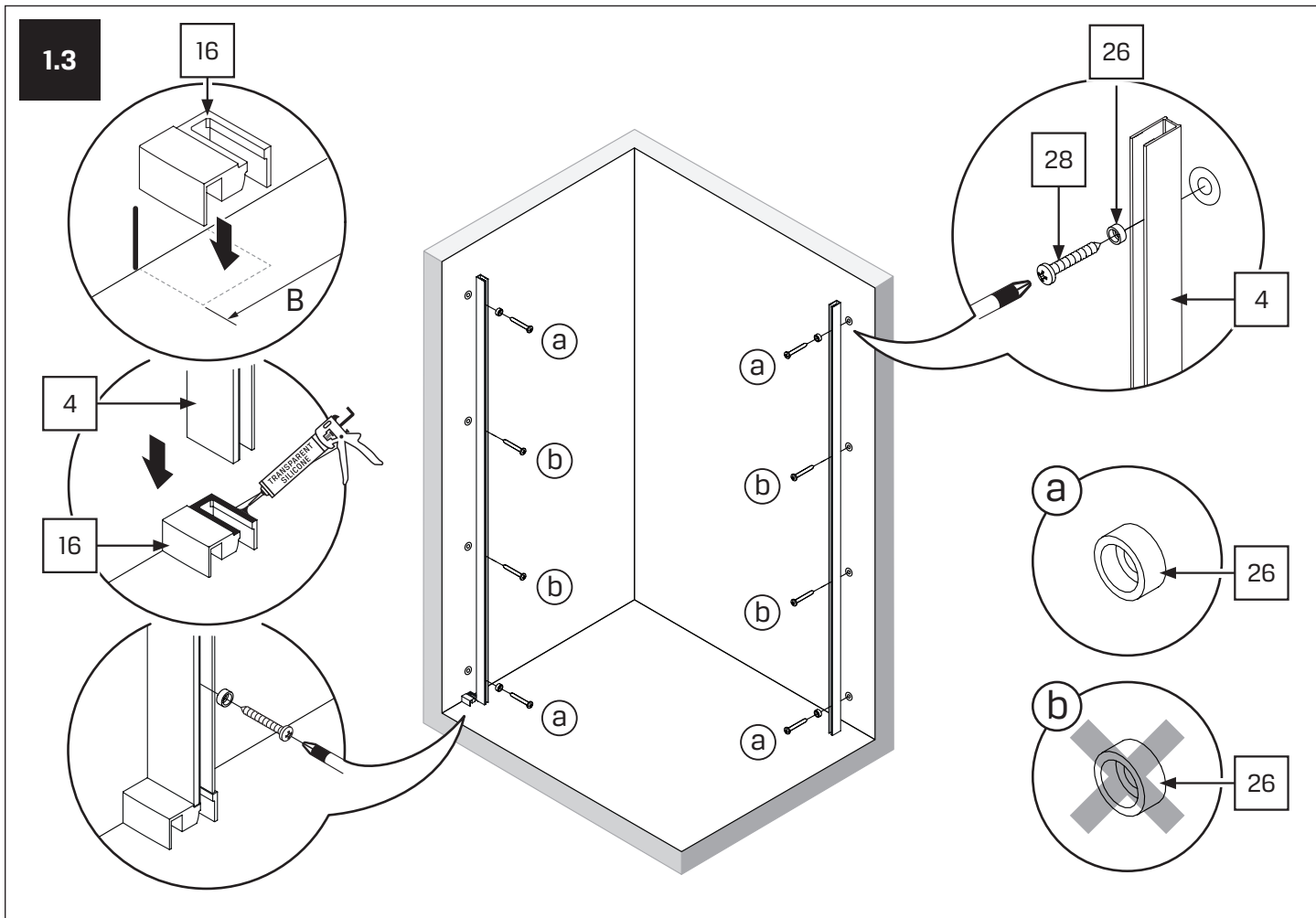


**TABELA NIE DOTYCZY KABIN NA WYMIAR!
THE TABLE DOES NOT INCLUDE CUSTOM-MADE ENCLOSURES!**

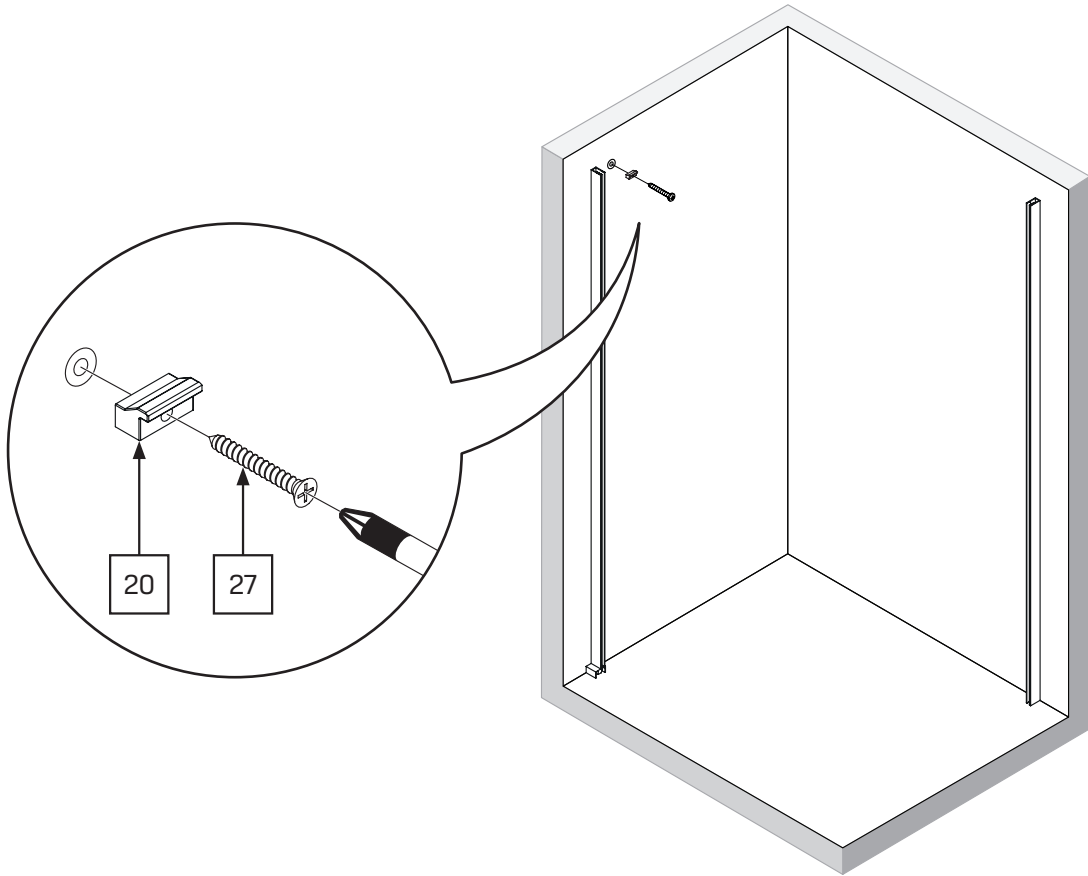
Specyfikacja techniczna **Kabin Na Wymiar** znajduje się w potwierdzeniu zamówienia.
The technical specification of the **Custom-Made Cabin** can be found in the order confirmation.

| | Wymiary gabarytowe Overall dimensions | | Wymiary do osi szyby Dimensions to the pane axis | |
|-------------|--|-----------|---|-----------|
| | A | B | X1 | X2 |
| 100x80x200 | 99,5-101 | 79-80,5 | 98,7-100,2 | 76,5-78 |
| 100x90x200 | 99,5-101 | 89-90,5 | 98,7-100,2 | 86,5-88 |
| 100x100x200 | 99,5-101 | 99-100,5 | 98,7-100,2 | 96,5-98 |
| 100x110x200 | 99,5-101 | 109-110,5 | 98,7-100,2 | 106,5-108 |
| 100x120x200 | 99,5-101 | 119-120,5 | 98,7-100,2 | 116,5-118 |
| 110x80x200 | 109,5-111 | 79-80,5 | 108,7-110,2 | 76,5-78 |
| 110x90x200 | 109,5-111 | 89-90,5 | 108,7-110,2 | 86,5-88 |
| 110x100x200 | 109,5-111 | 99-100,5 | 108,7-110,2 | 96,5-98 |
| 110x110x200 | 109,5-111 | 109-110,5 | 108,7-110,2 | 106,5-108 |
| 110x120x200 | 109,5-111 | 119-120,5 | 108,7-110,2 | 116,5-118 |
| 120x80x200 | 119,5-121 | 79-80,5 | 118,7-120,2 | 76,5-78 |
| 120x90x200 | 119,5-121 | 89-90,5 | 118,7-120,2 | 86,5-88 |
| 120x100x200 | 119,5-121 | 99-100,5 | 118,7-120,2 | 96,5-98 |
| 120x110x200 | 119,5-121 | 109-110,5 | 118,7-120,2 | 106,5-108 |
| 120x120x200 | 119,5-121 | 119-120,5 | 118,7-120,2 | 116,5-118 |
| 130x80x200 | 129,5-131 | 79-80,5 | 128,7-130,2 | 76,5-78 |
| 130x90x200 | 129,5-131 | 89-90,5 | 128,7-130,2 | 86,5-88 |
| 130x100x200 | 129,5-131 | 99-100,5 | 128,7-130,2 | 96,5-98 |

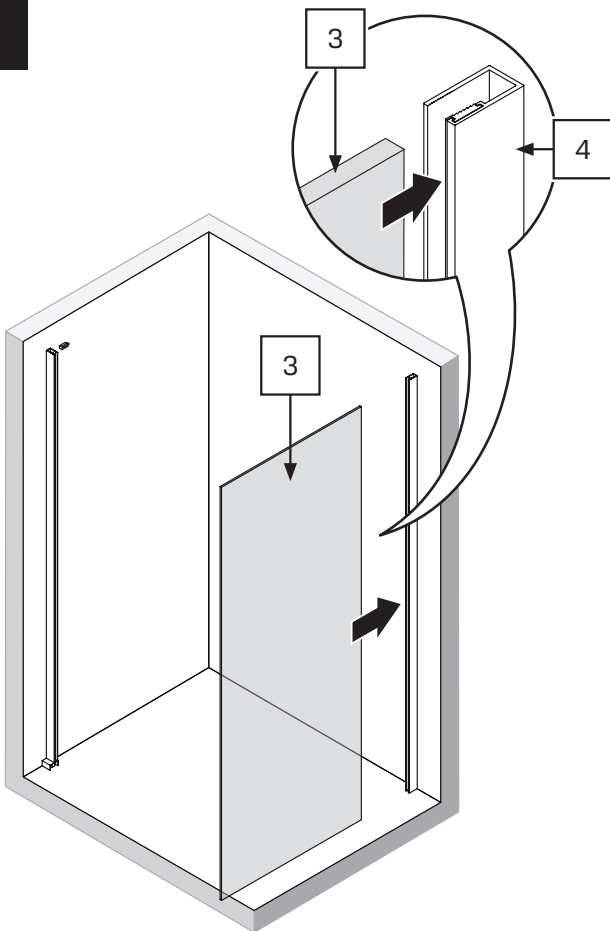
| | Wymiary gabarytowe Overall dimensions | | Wymiary do osi szyby Dimensions to the pane axis | |
|-------------|--|-----------|---|-----------|
| | A | B | X1 | X2 |
| 130x110x200 | 129,5-131 | 109-110,5 | 128,7-130,2 | 106,5-108 |
| 130x120x200 | 129,5-131 | 119-120,5 | 128,7-130,2 | 116,5-118 |
| 140x80x200 | 139,5-141 | 79-80,5 | 138,7-140,2 | 76,5-78 |
| 140x90x200 | 139,5-141 | 89-90,5 | 138,7-140,2 | 86,5-88 |
| 140x100x200 | 139,5-141 | 99-100,5 | 138,7-140,2 | 96,5-98 |
| 140x110x200 | 139,5-141 | 109-110,5 | 138,7-140,2 | 106,5-108 |
| 140x120x200 | 139,5-141 | 119-120,5 | 138,7-140,2 | 116,5-118 |
| 150x80x200 | 149,5-151 | 79-80,5 | 148,7-150,2 | 76,5-78 |
| 150x90x200 | 149,5-151 | 89-90,5 | 148,7-150,2 | 86,5-88 |
| 150x100x200 | 149,5-151 | 99-100,5 | 148,7-150,2 | 96,5-98 |
| 150x110x200 | 149,5-151 | 109-110,5 | 148,7-150,2 | 106,5-108 |
| 150x120x200 | 149,5-151 | 119-120,5 | 148,7-150,2 | 116,5-118 |
| 160x80x200 | 159,5-161 | 79-80,5 | 158,7-160,2 | 76,5-78 |
| 160x90x200 | 159,5-161 | 89-90,5 | 158,7-160,2 | 86,5-88 |
| 160x100x200 | 159,5-161 | 99-100,5 | 158,7-160,2 | 96,5-98 |
| 160x110x200 | 159,5-161 | 109-110,5 | 158,7-160,2 | 106,5-108 |
| 160x120x200 | 159,5-161 | 119-120,5 | 158,7-160,2 | 116,5-118 |



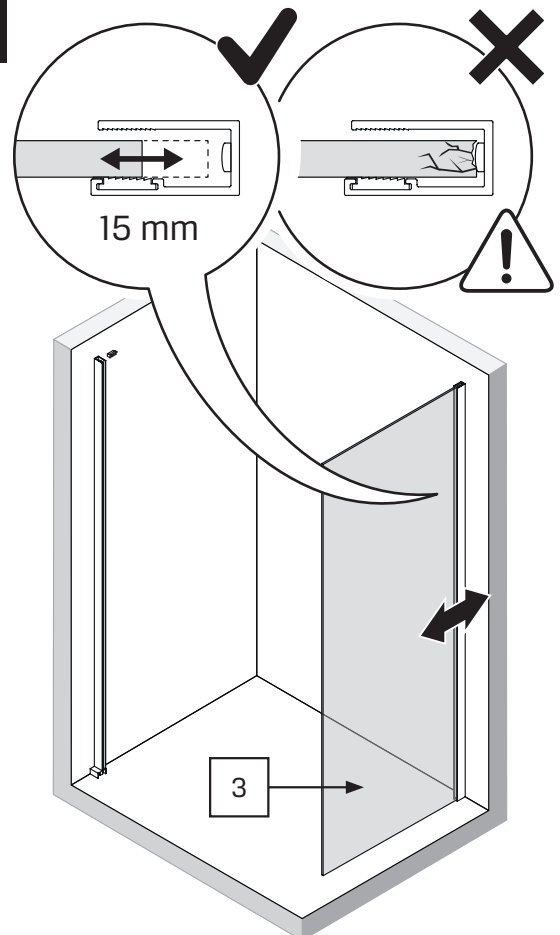
2.2

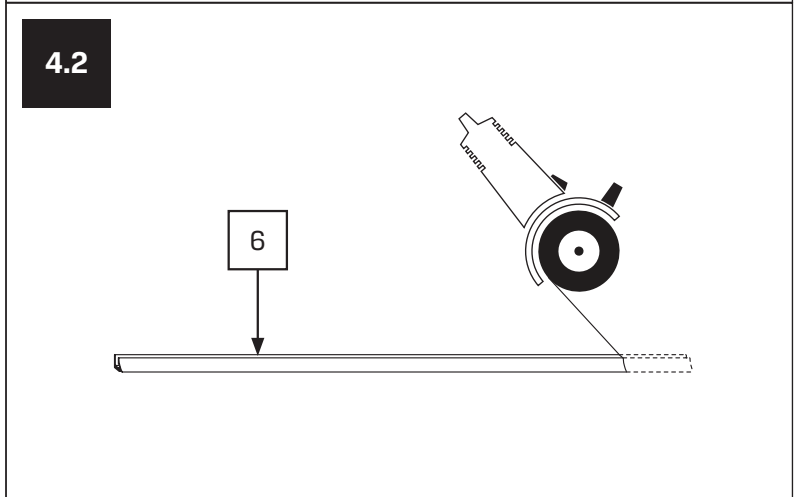
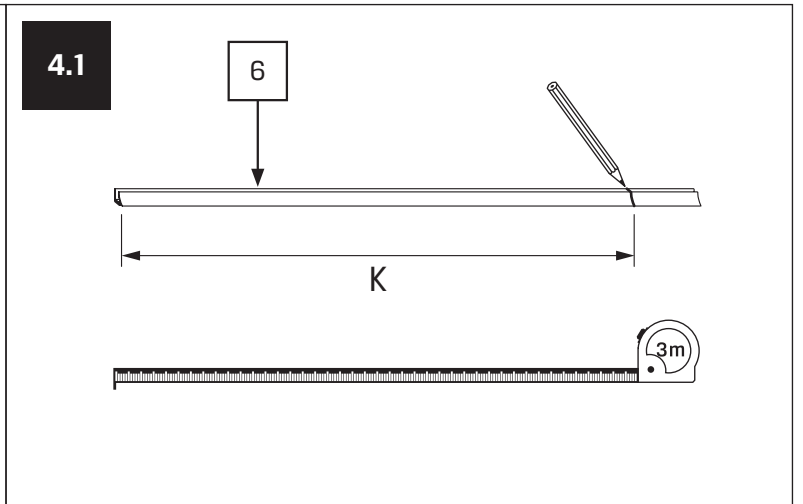
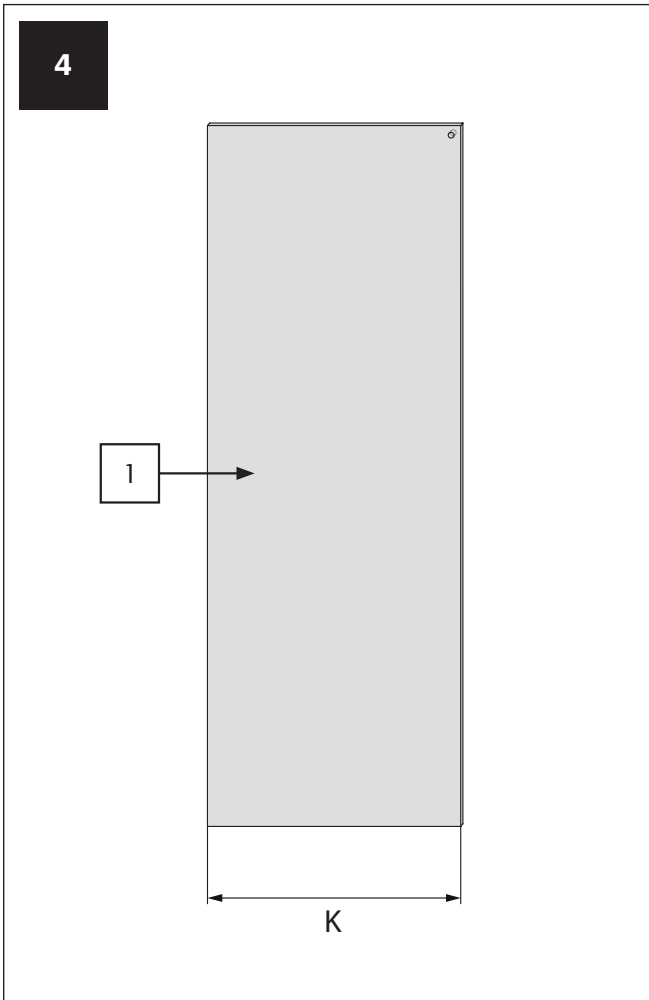
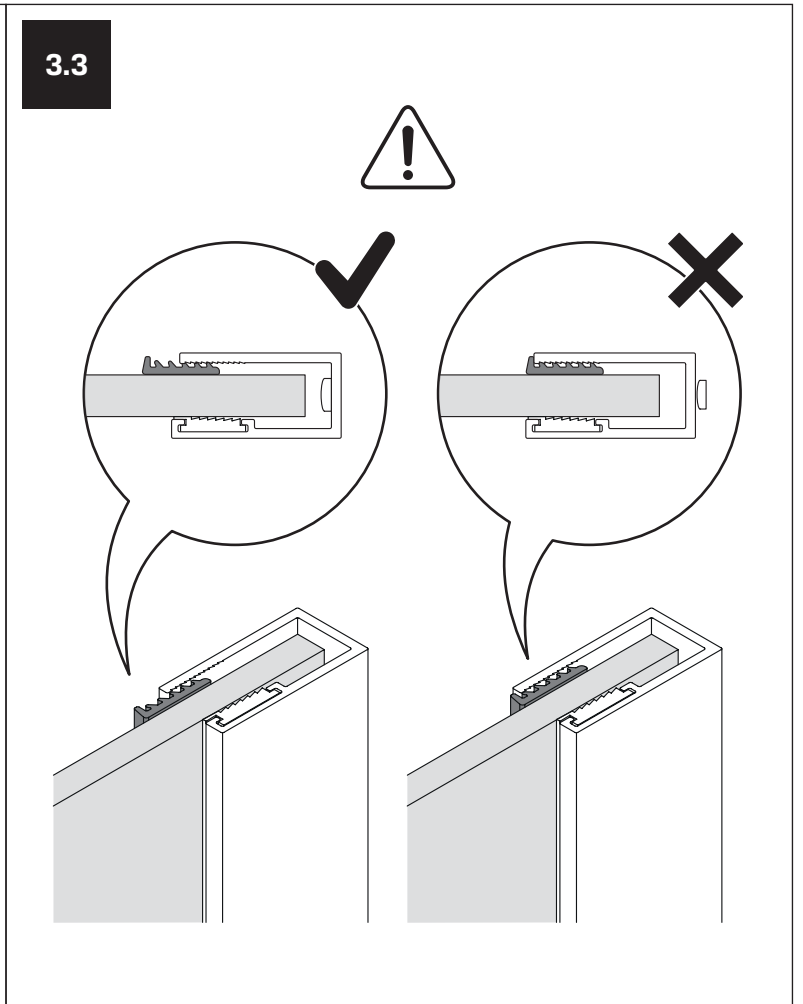
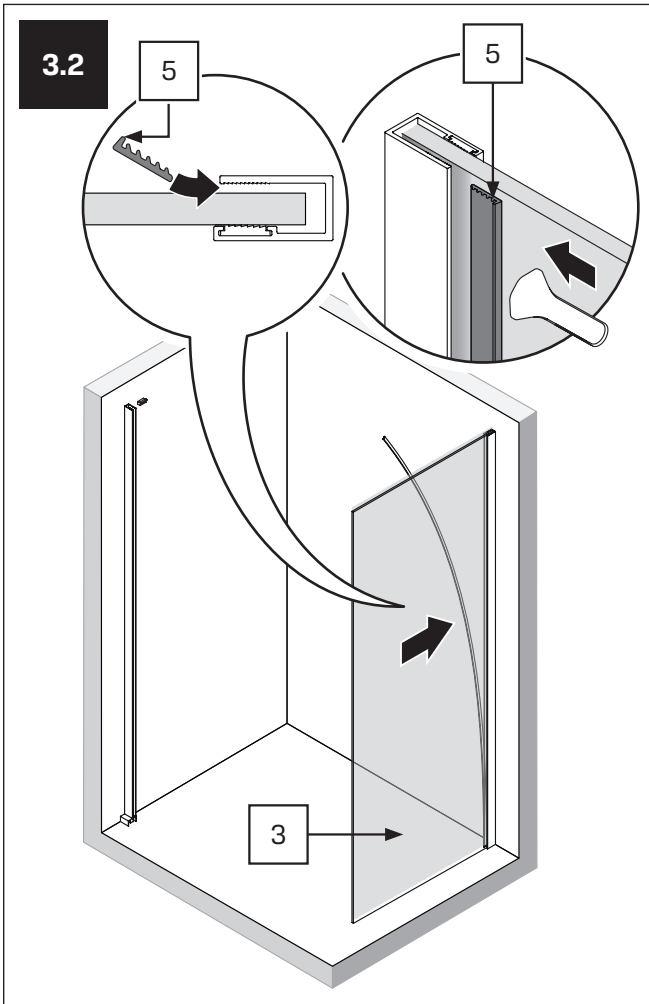


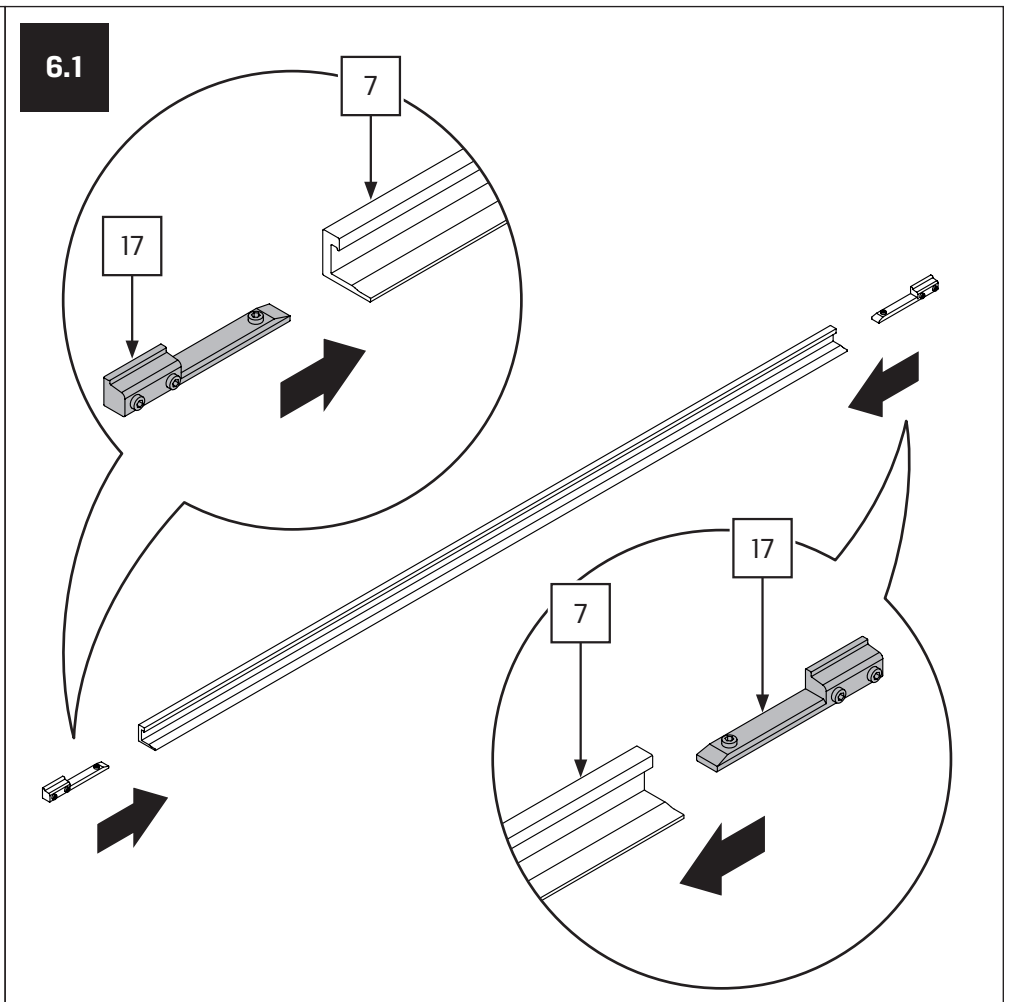
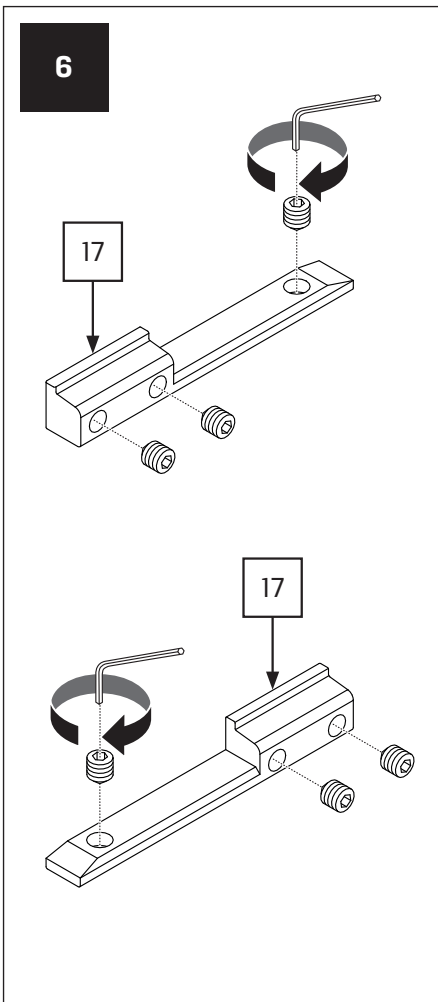
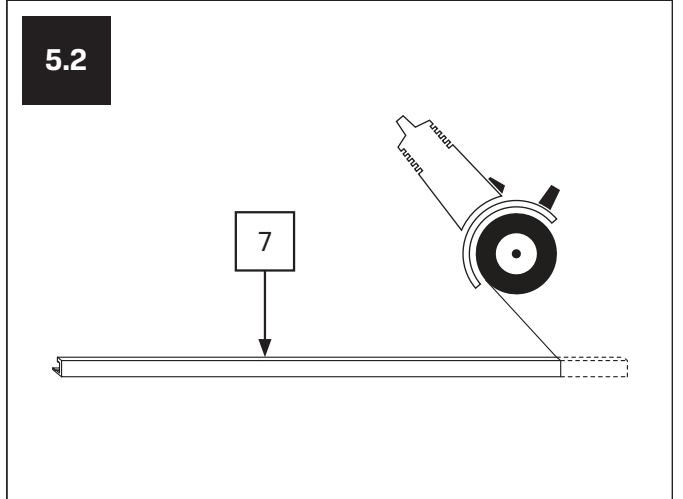
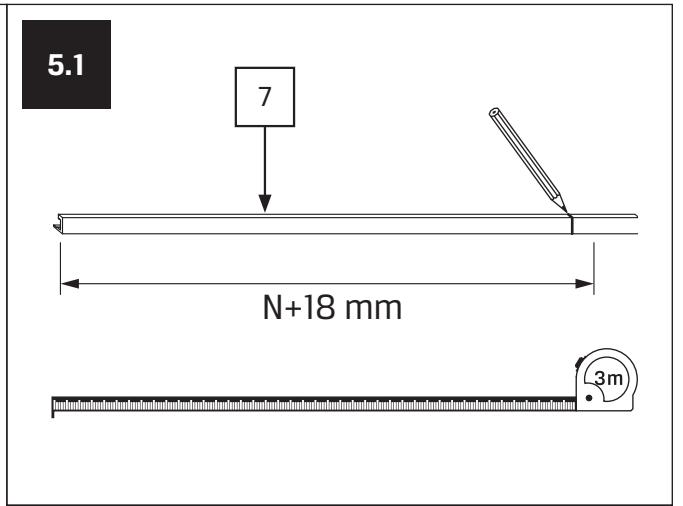
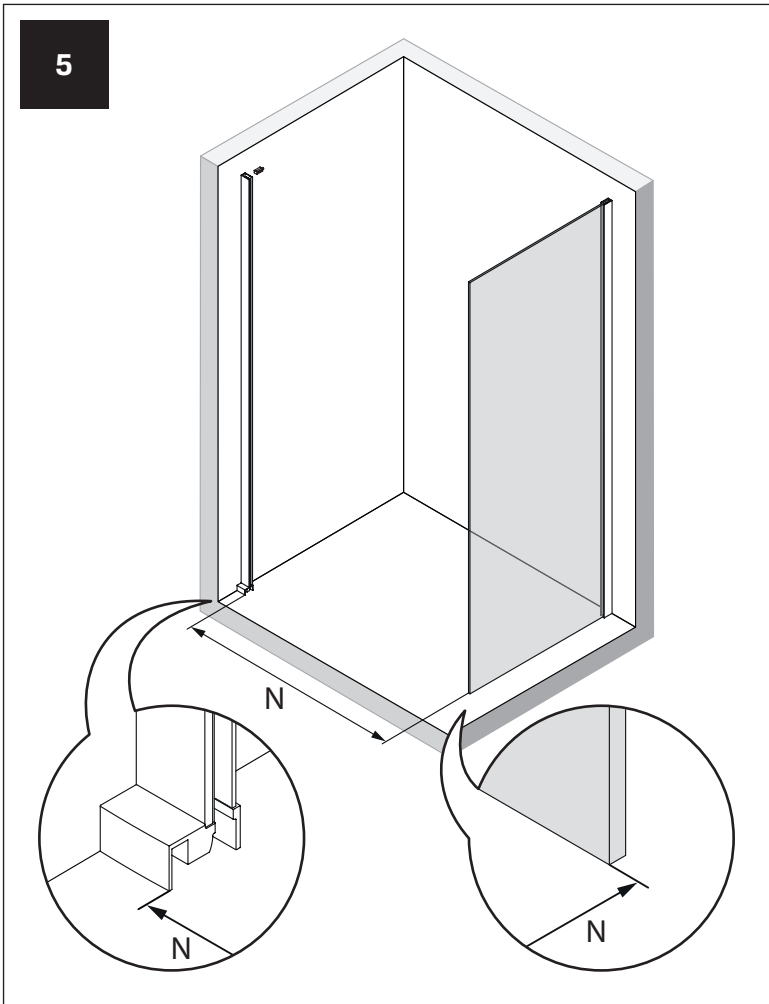
3



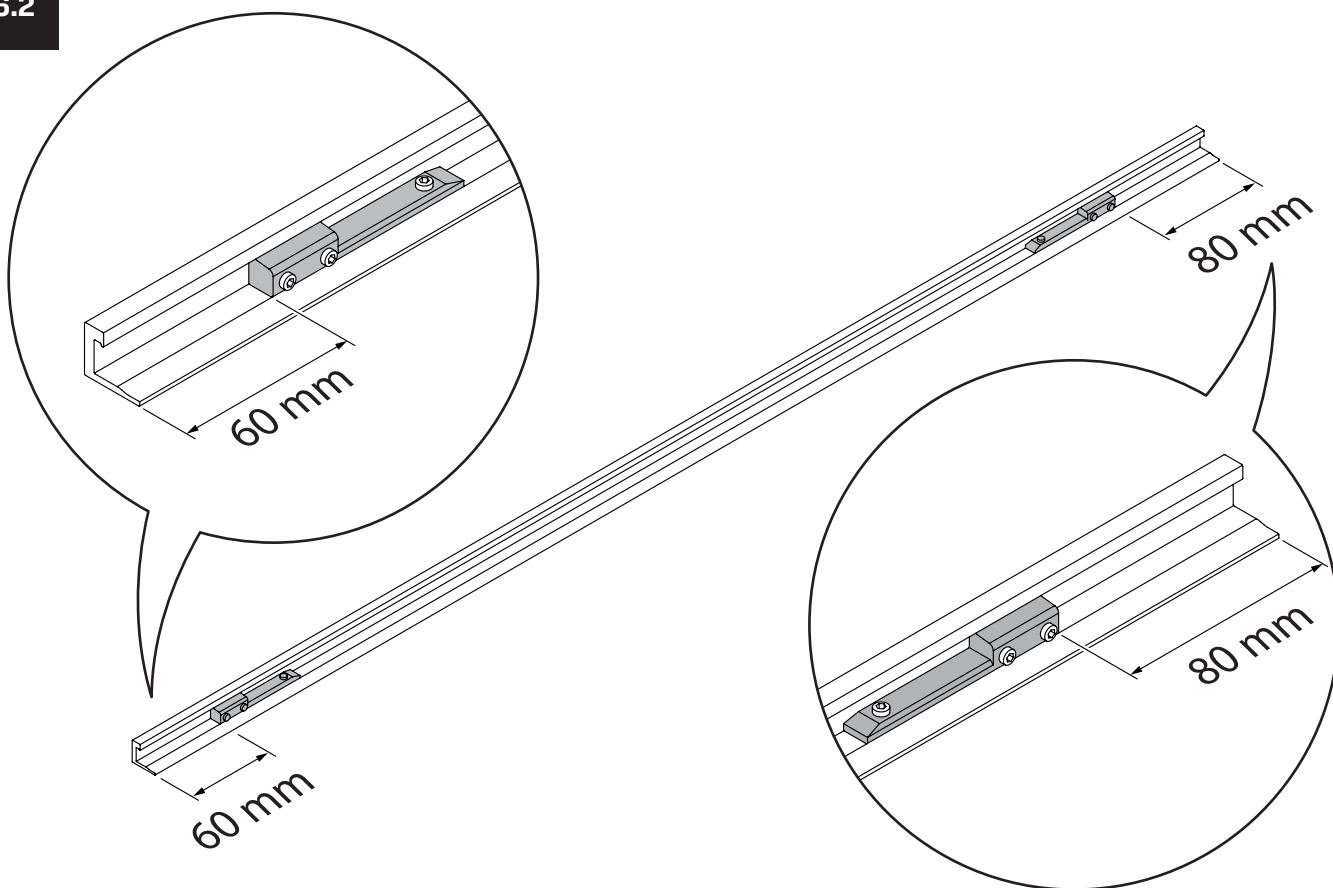
3.1



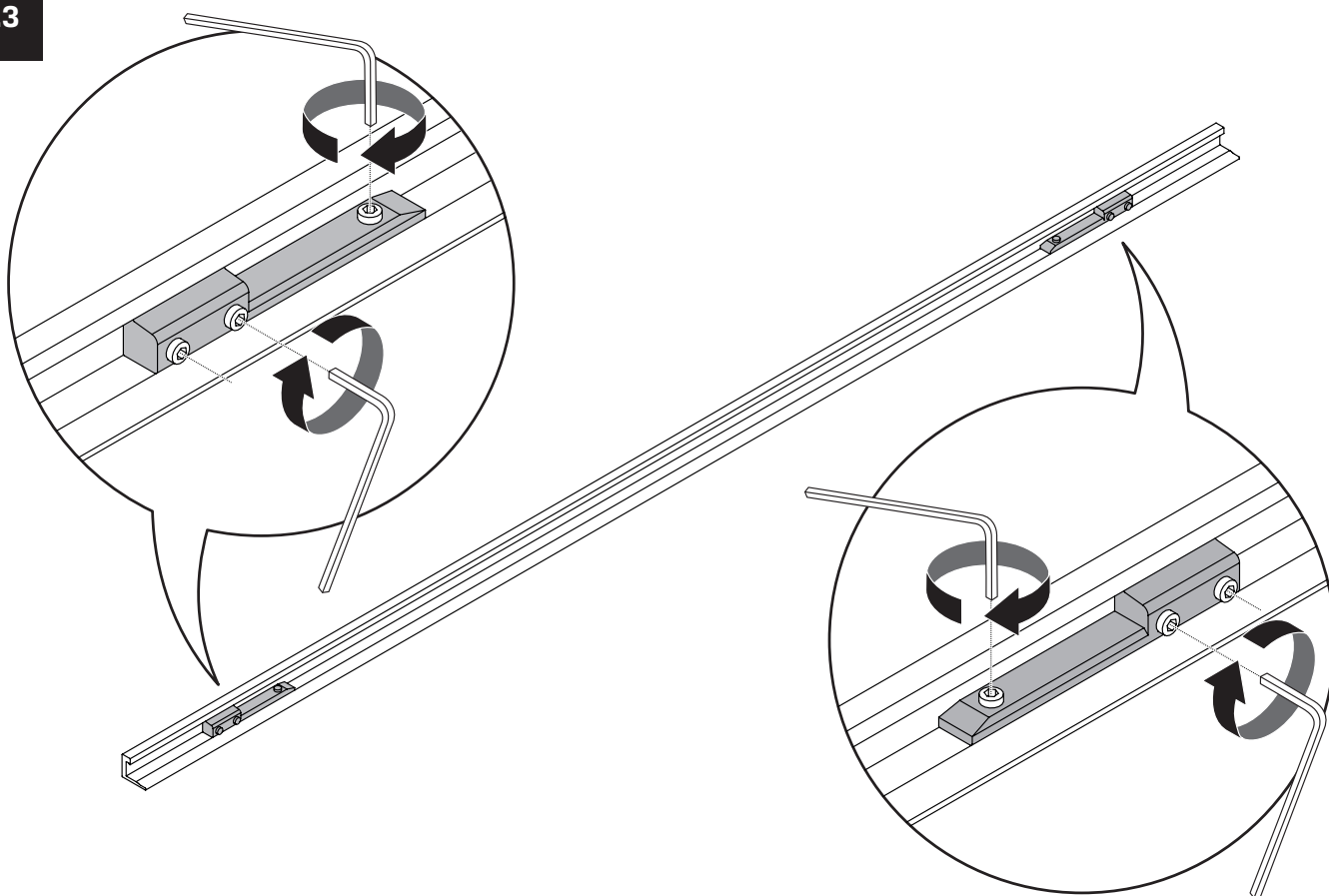


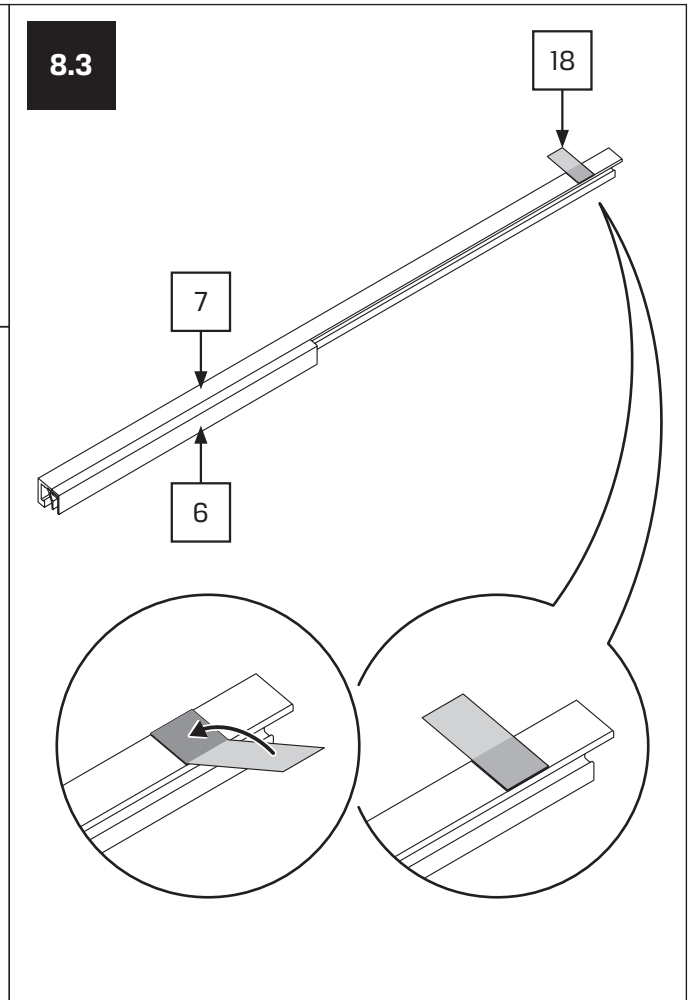
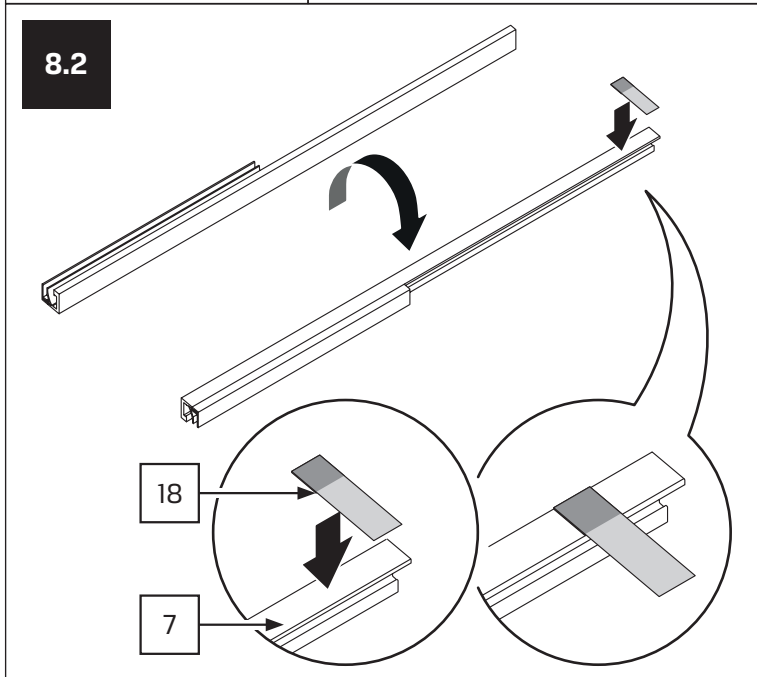
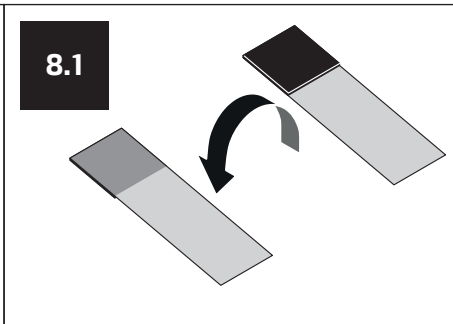
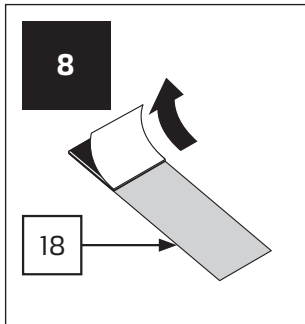
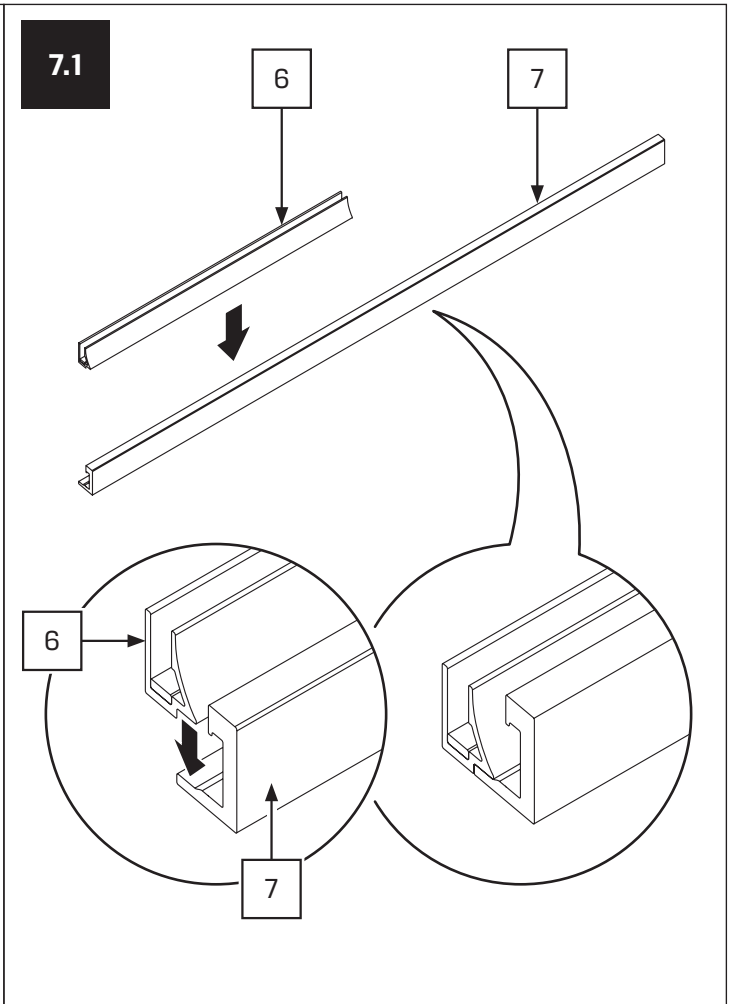
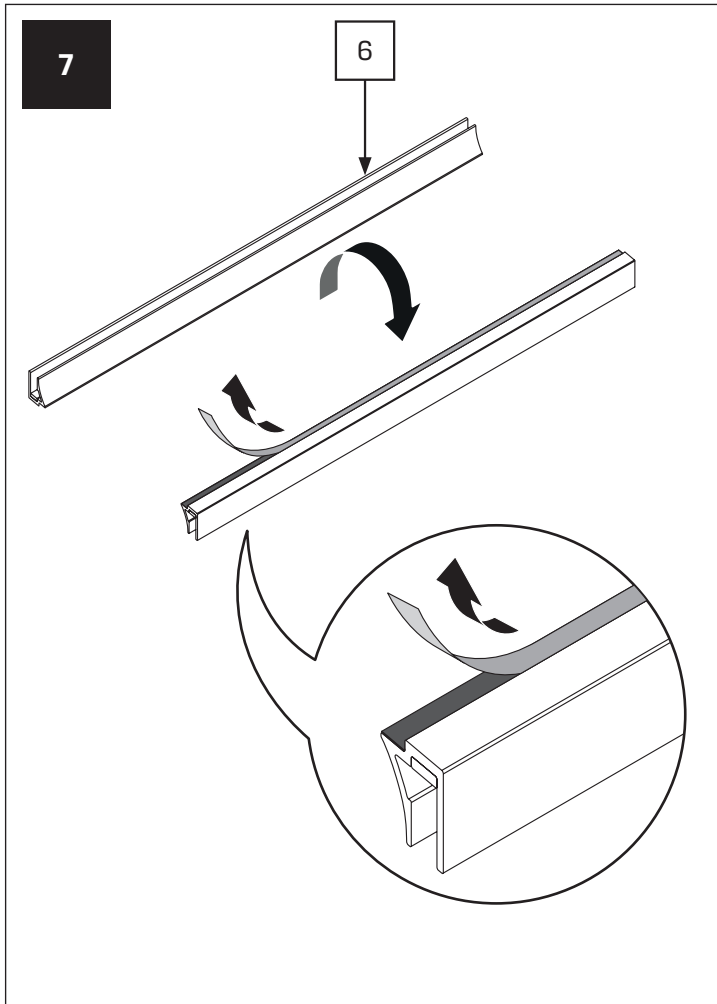


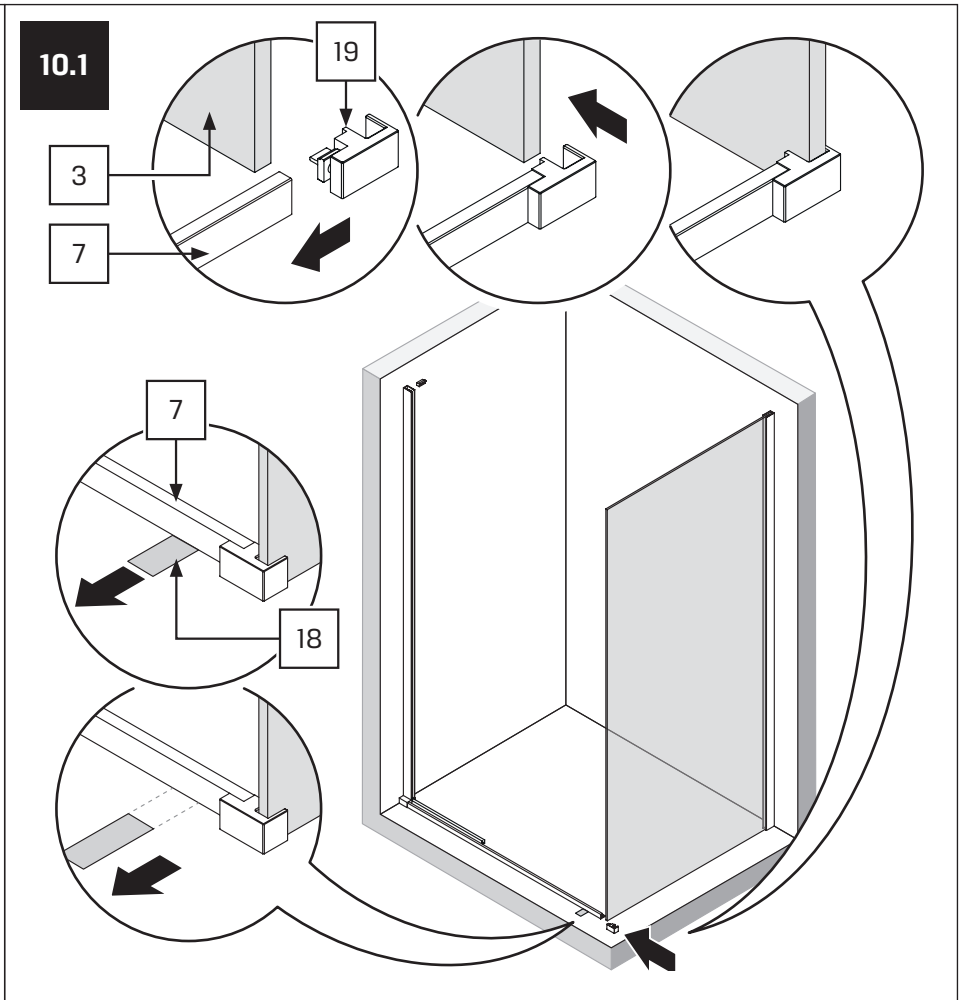
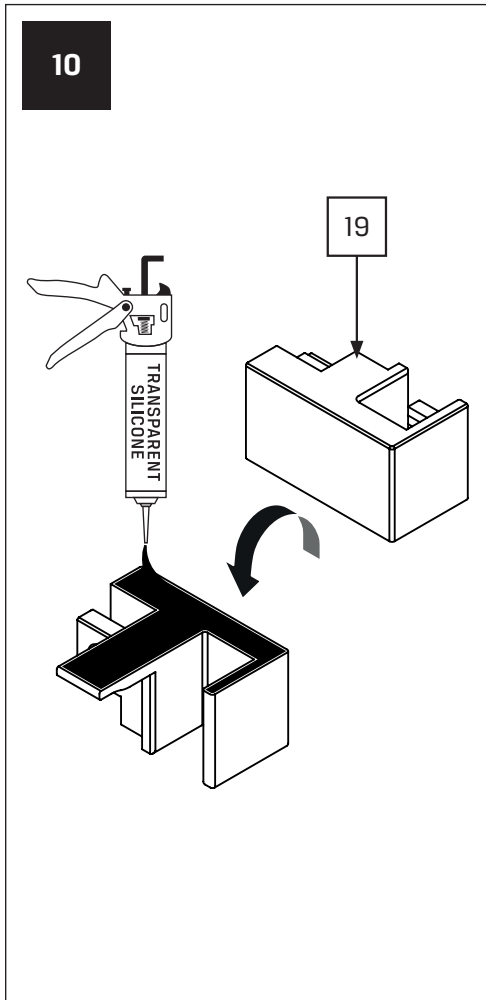
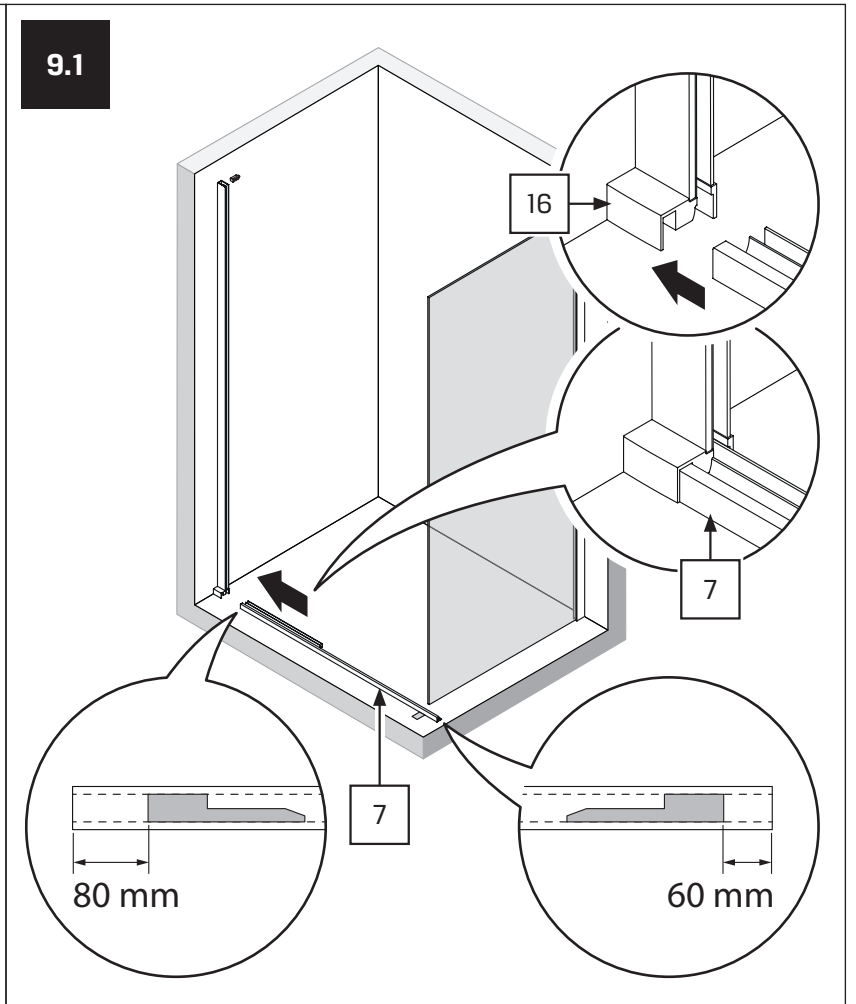
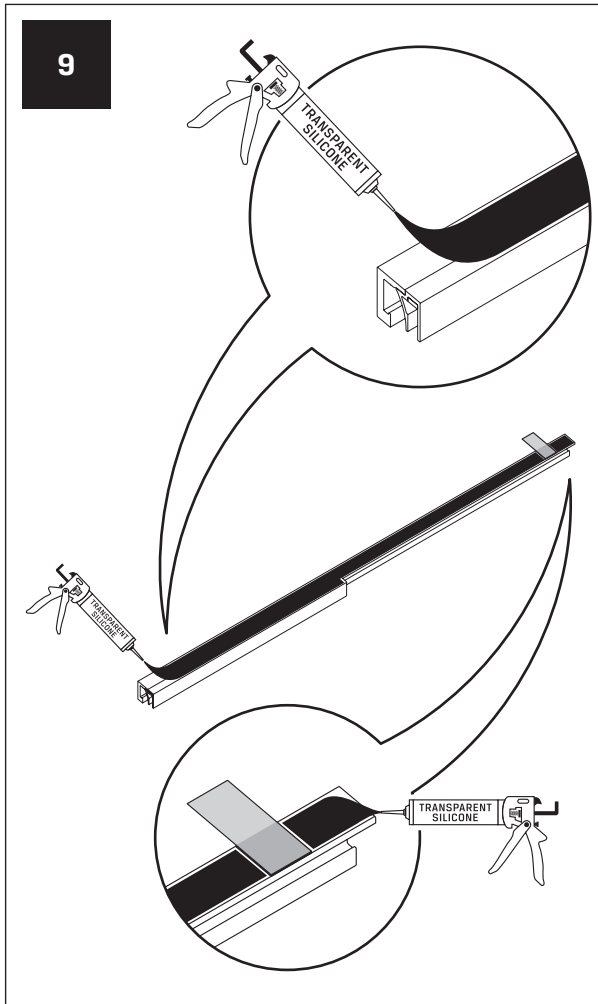
6.2



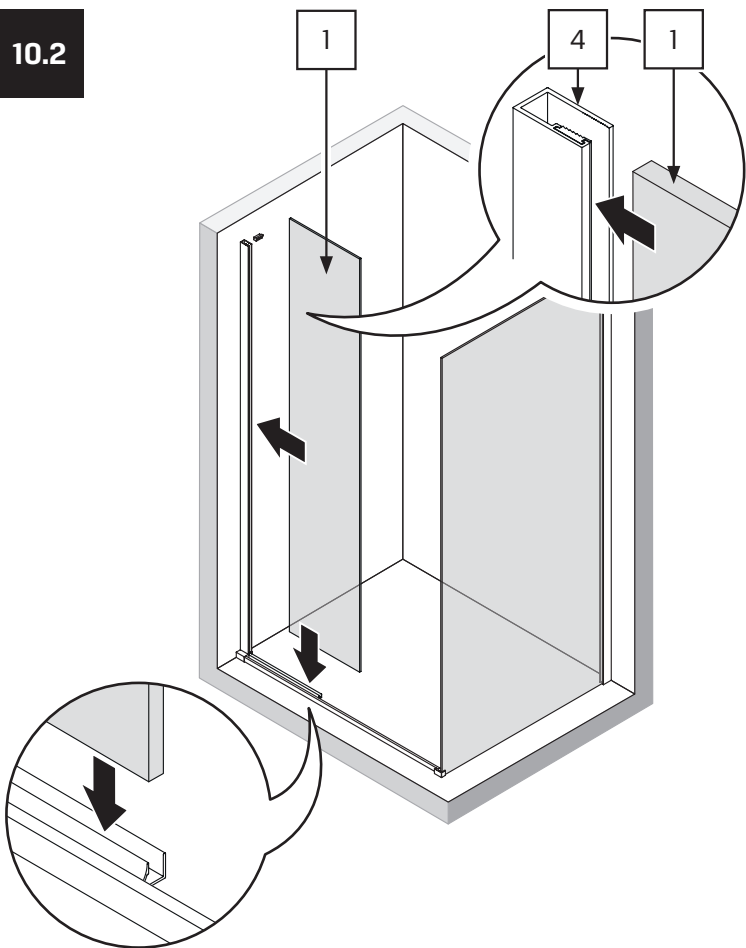
6.3



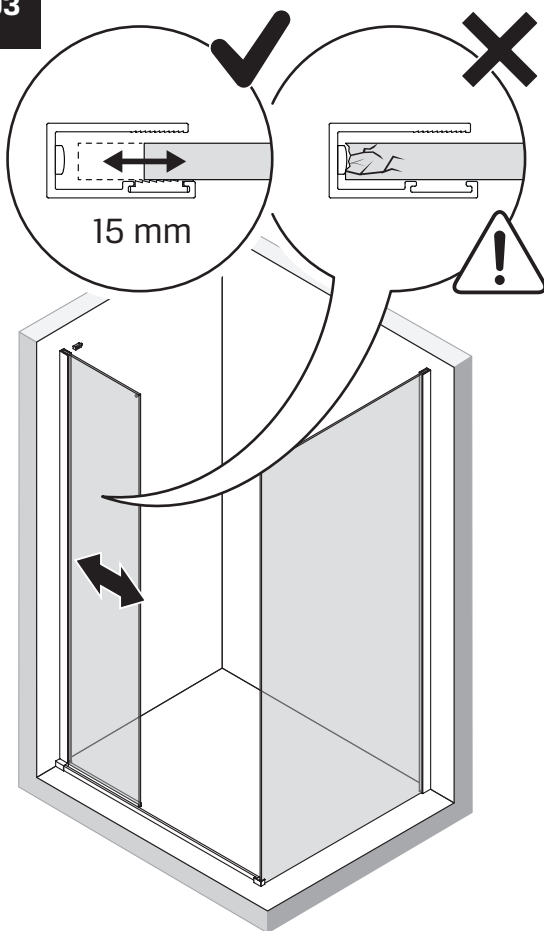




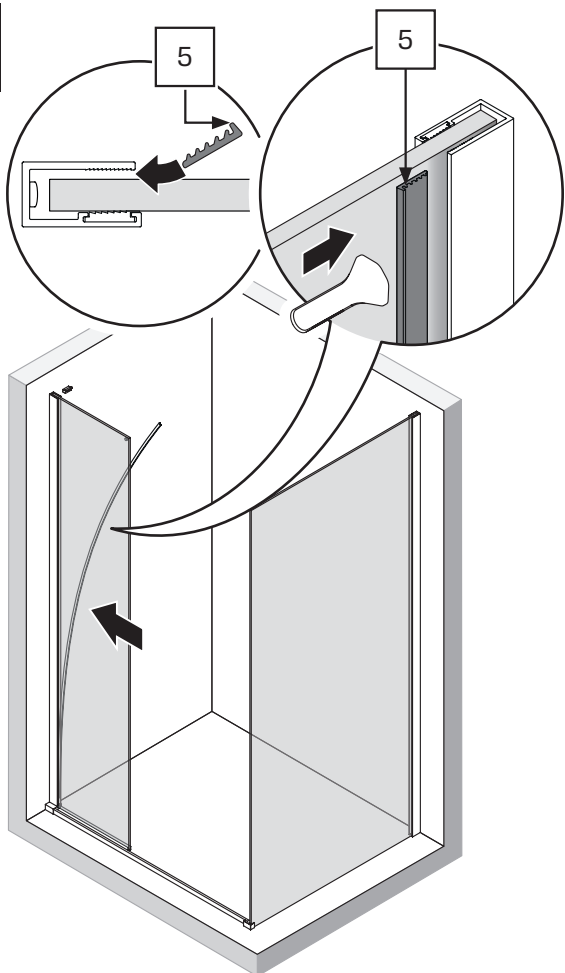
10.2



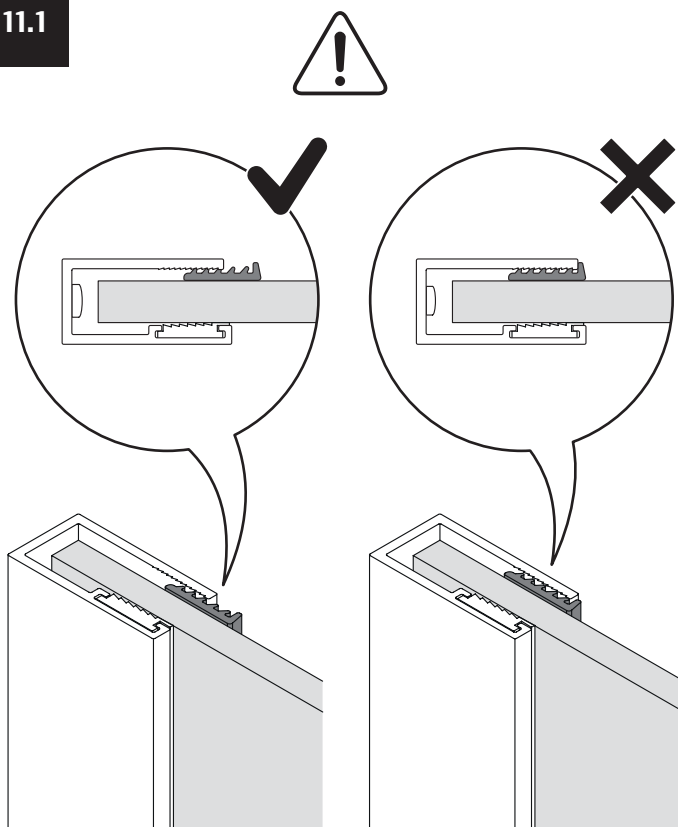
103

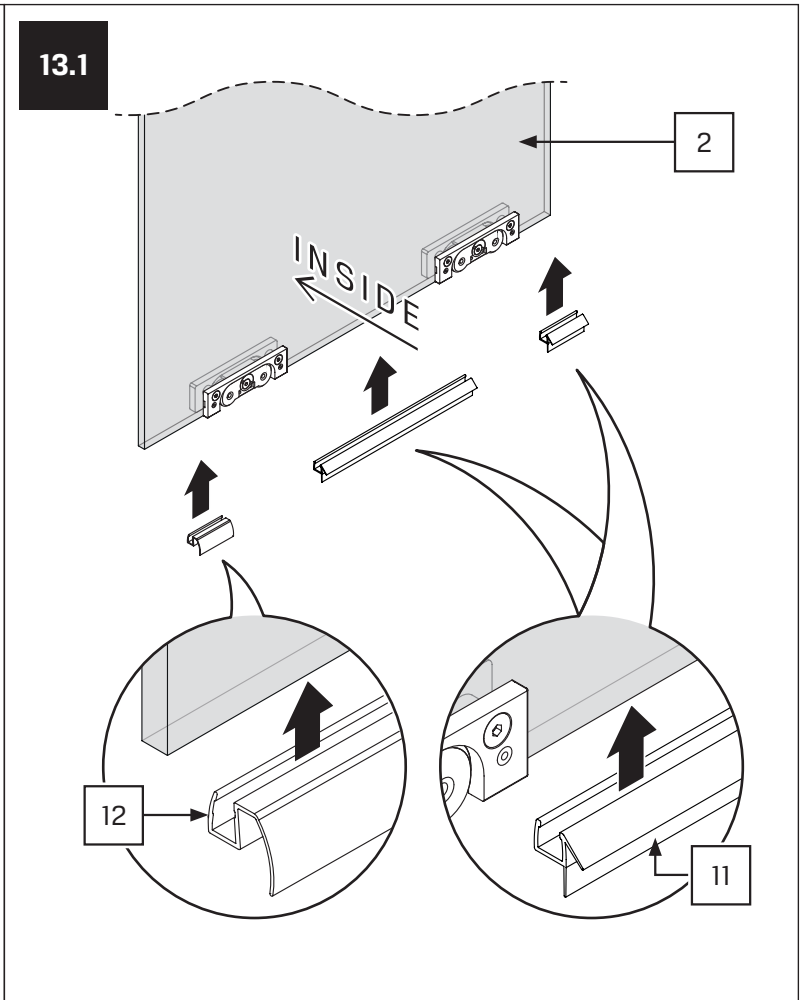
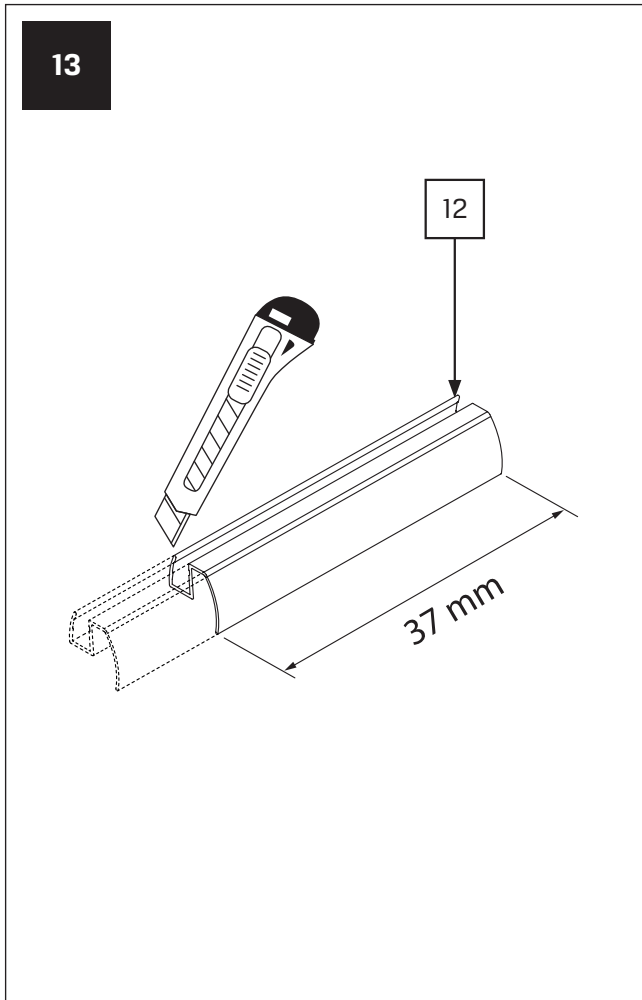
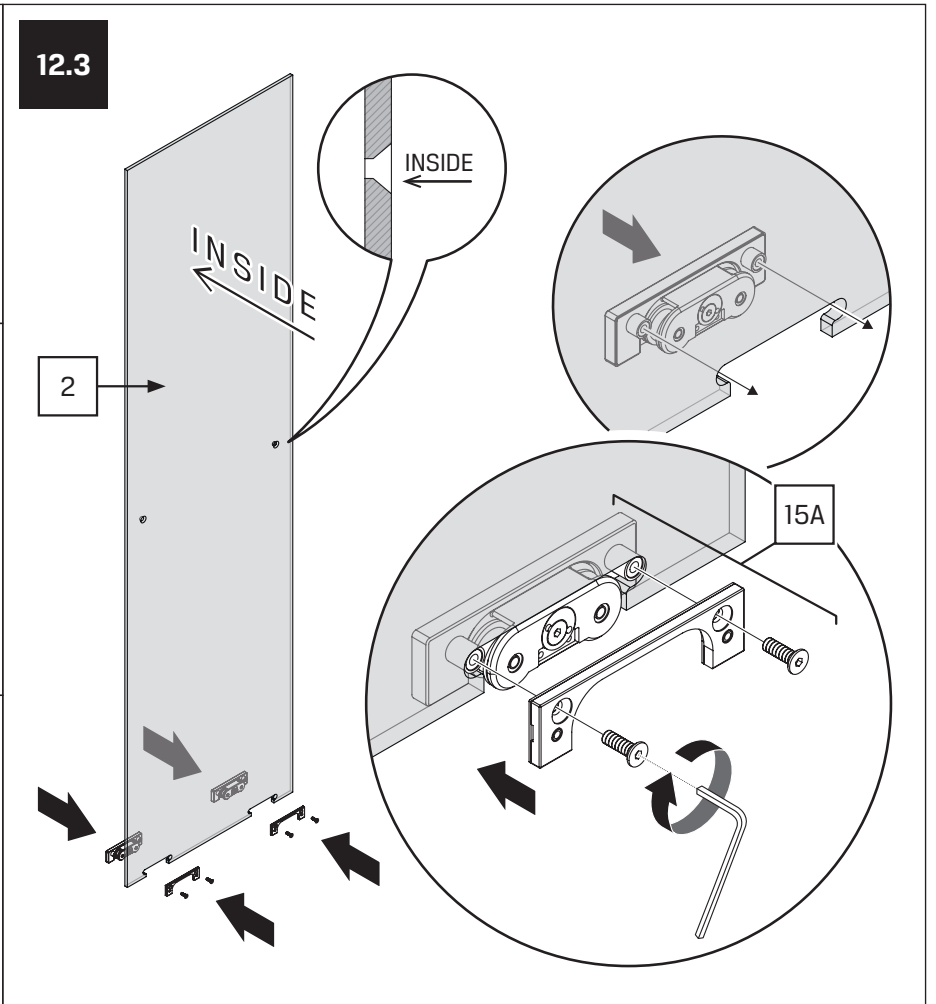
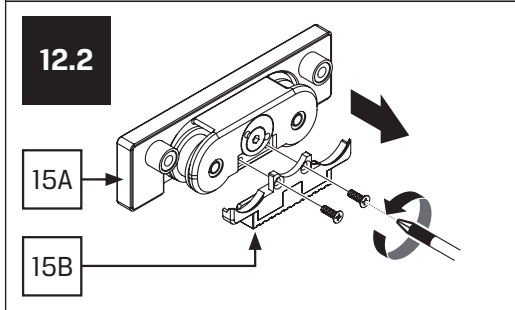
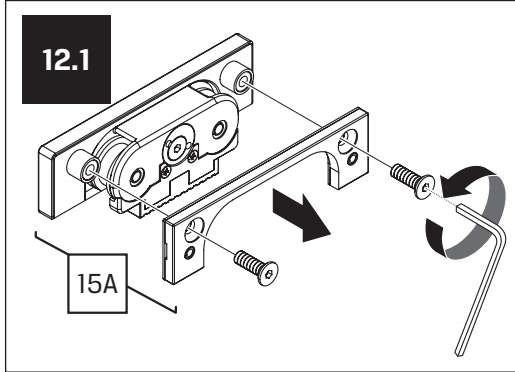
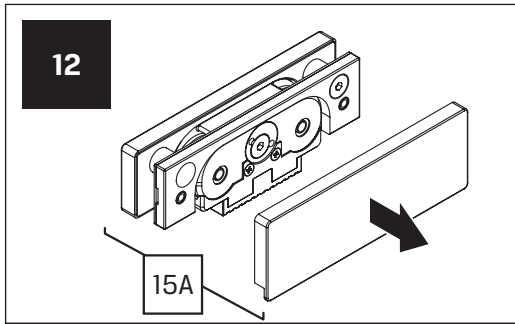


11

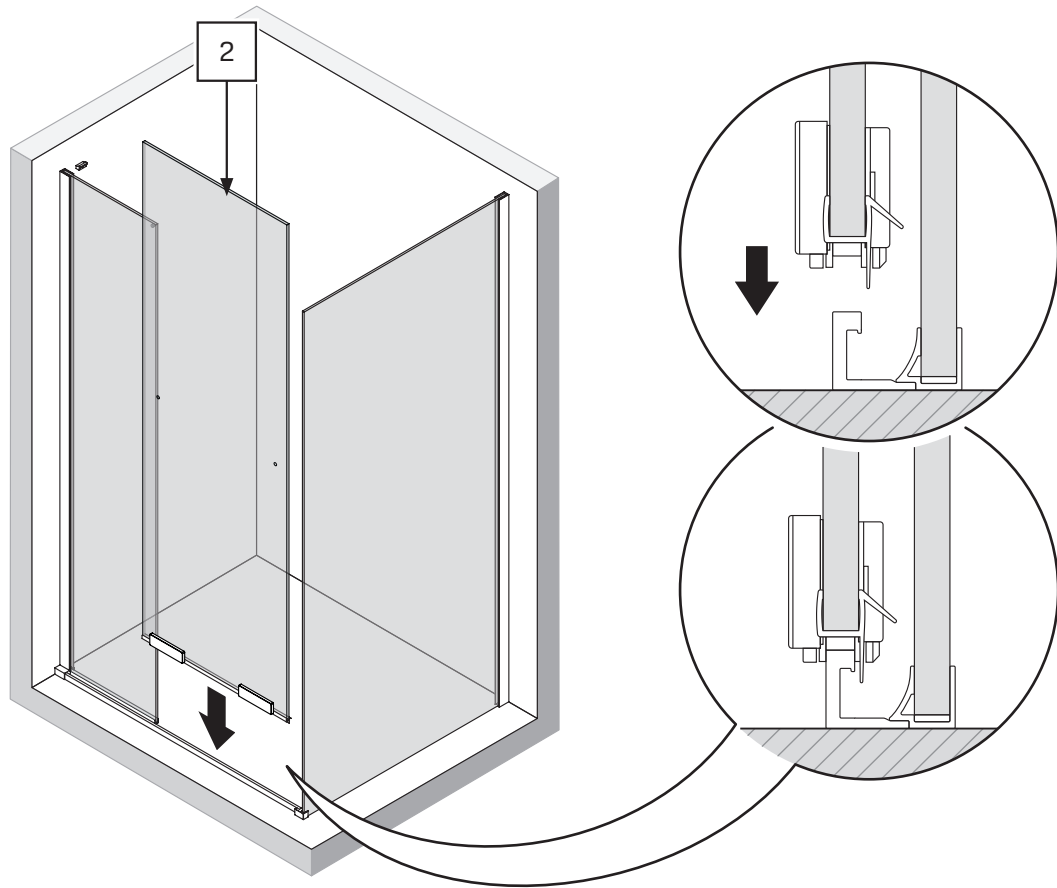


11.1

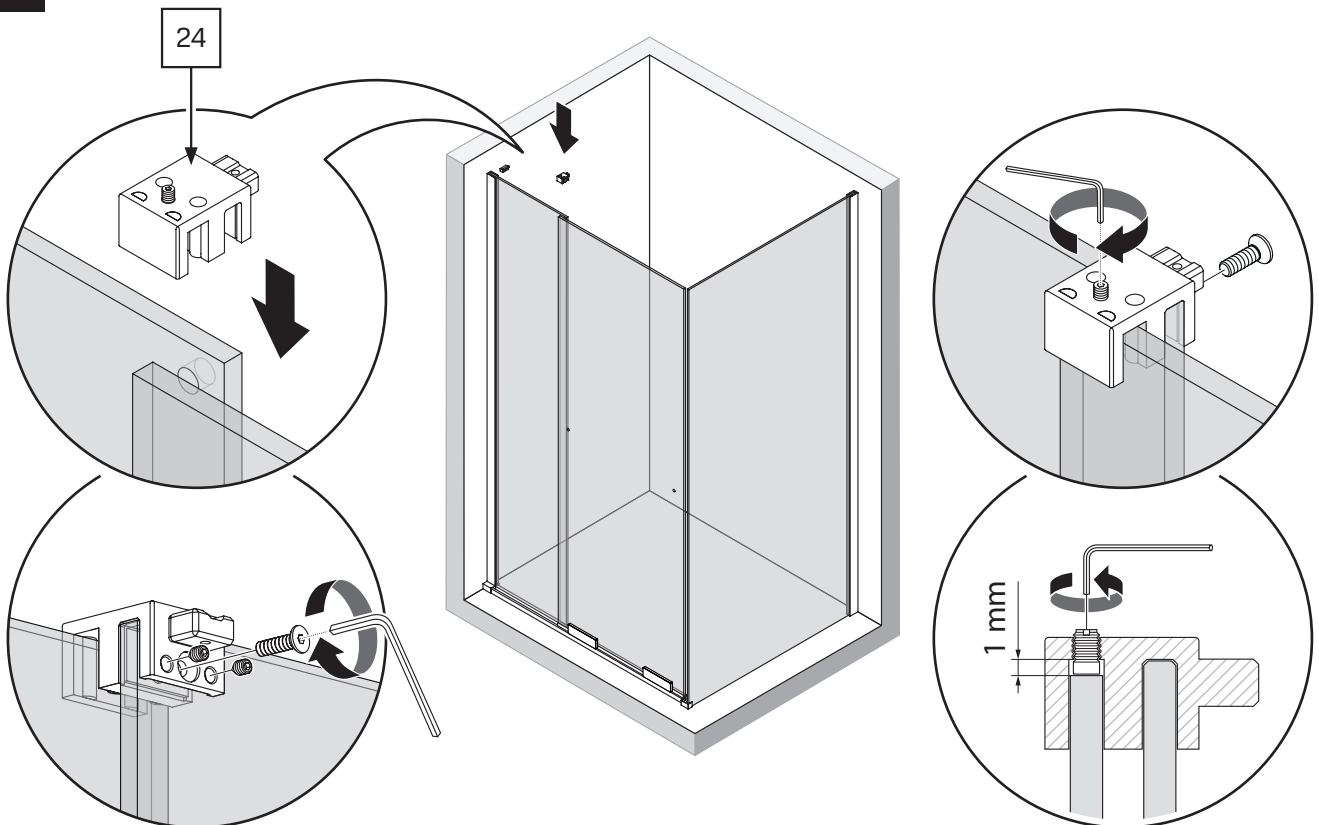




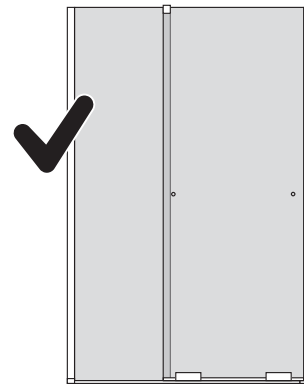
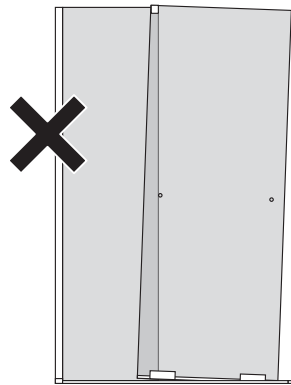
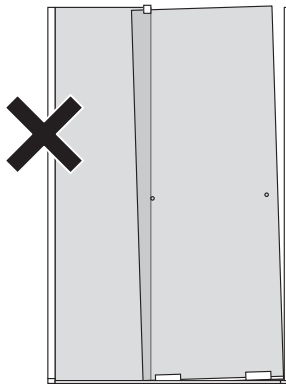
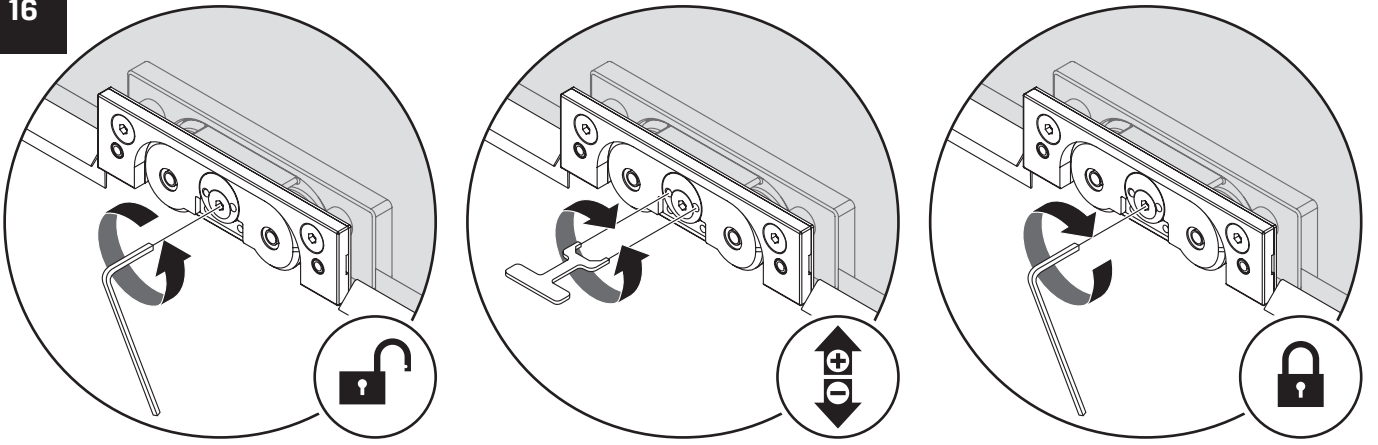
14



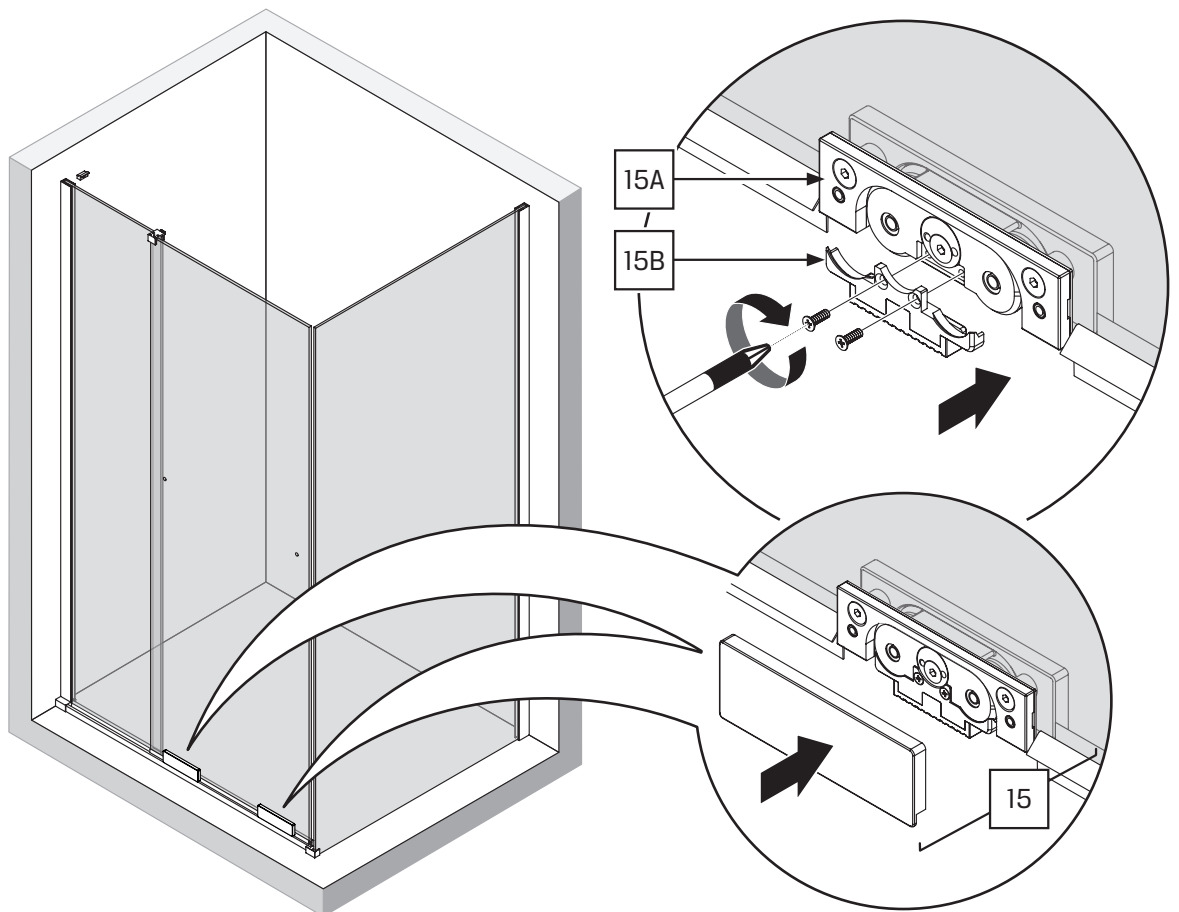
15



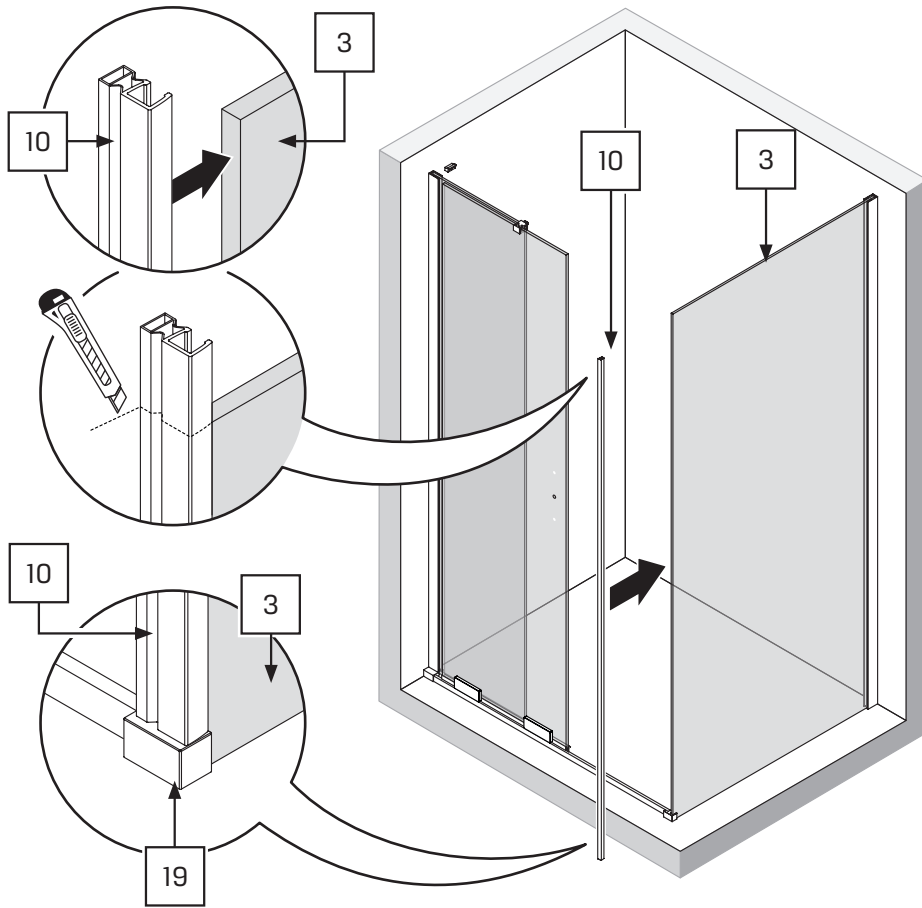
16



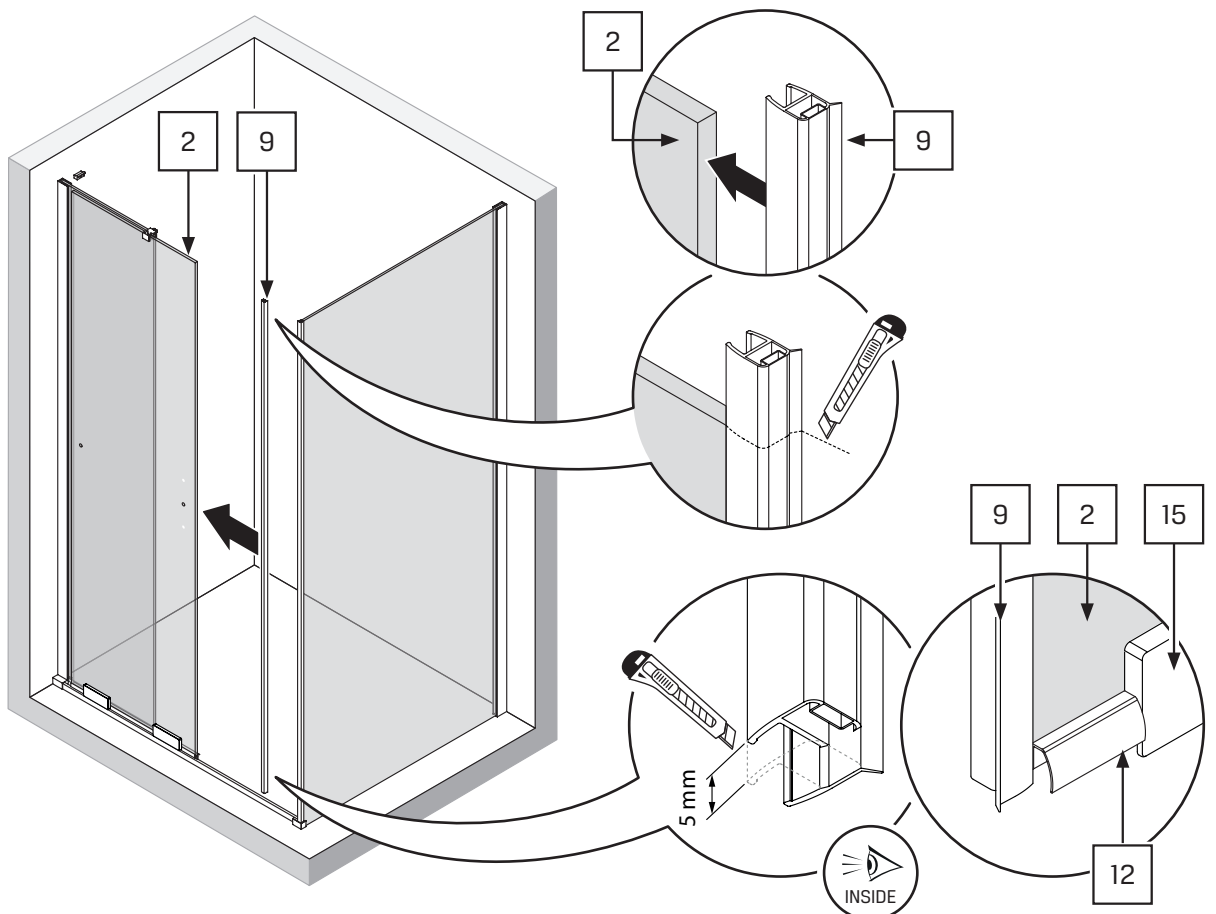
17



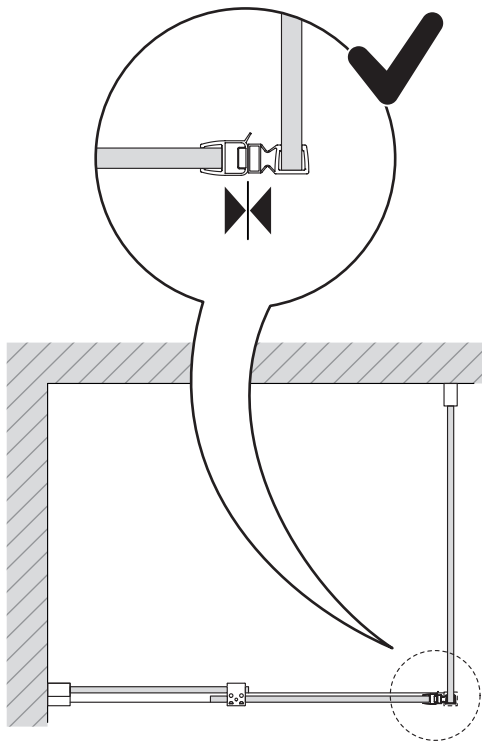
18



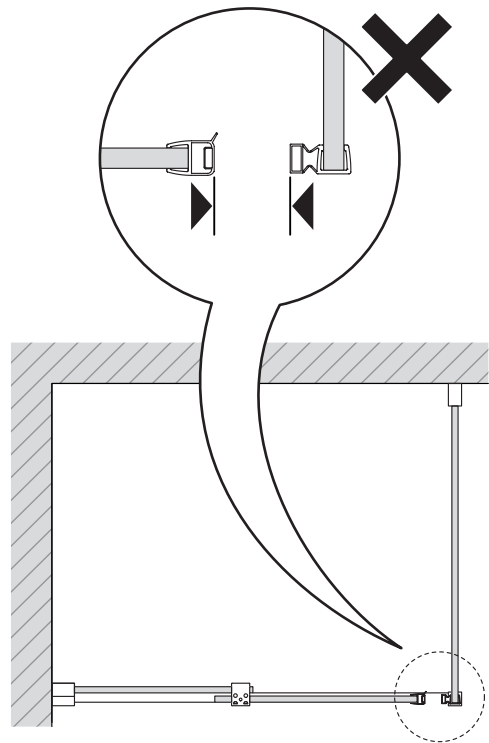
18.1



19

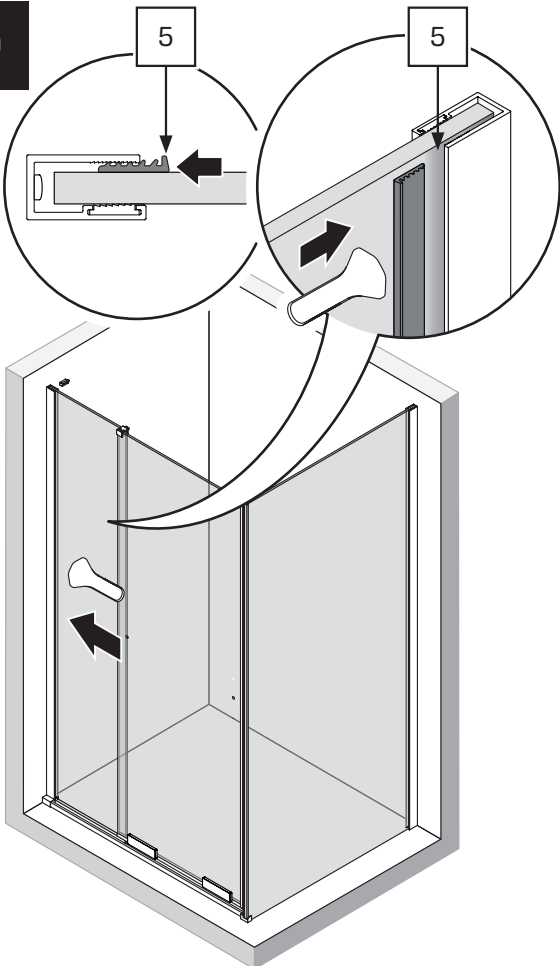


✓ → 20

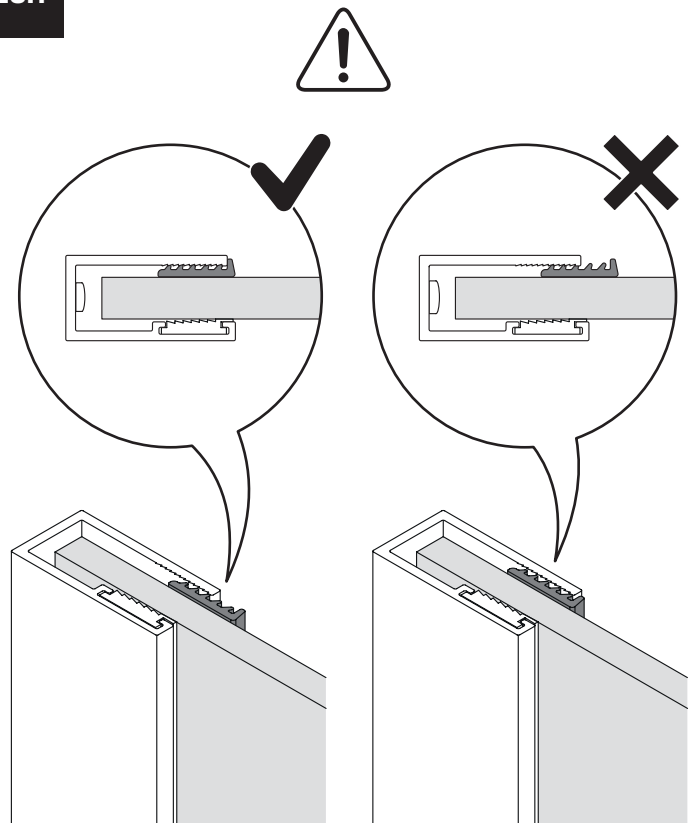


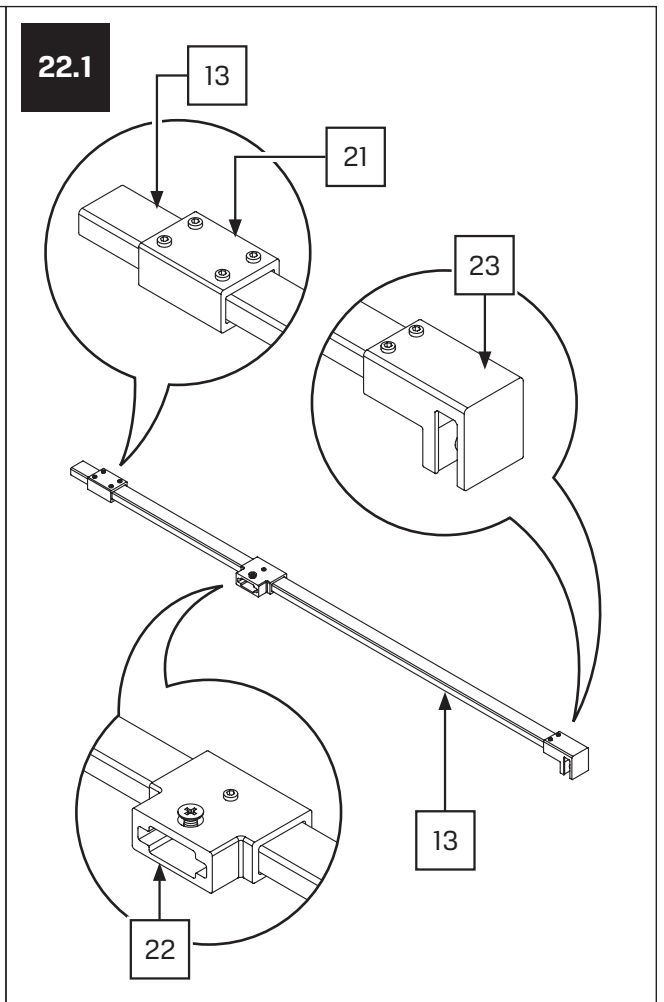
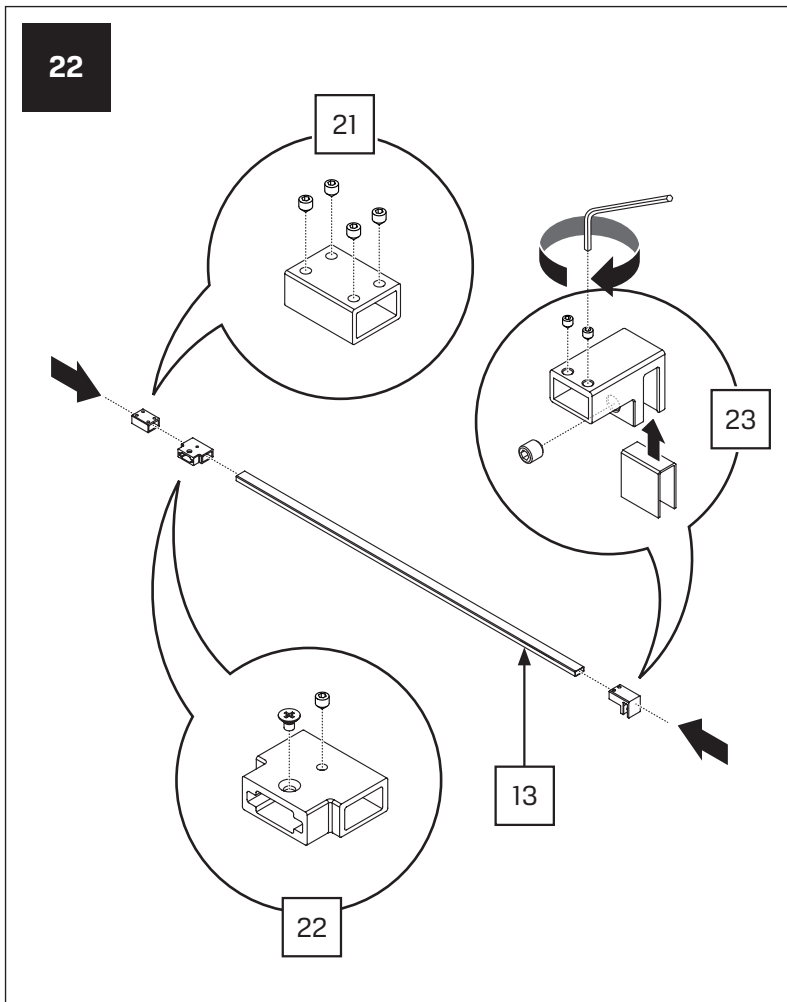
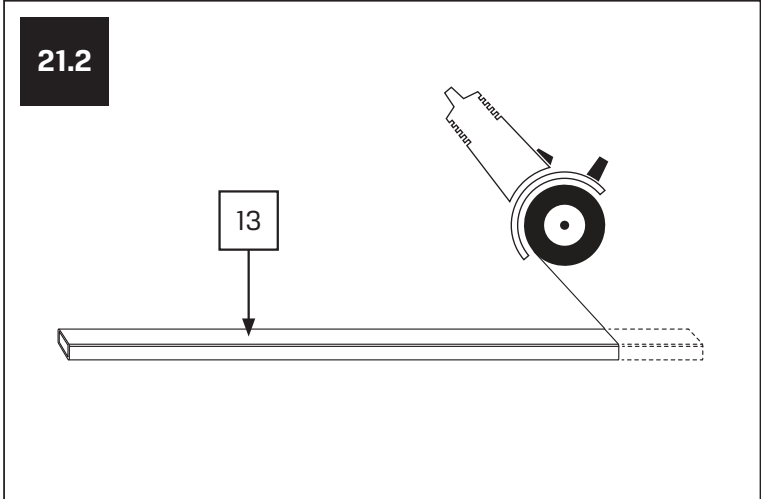
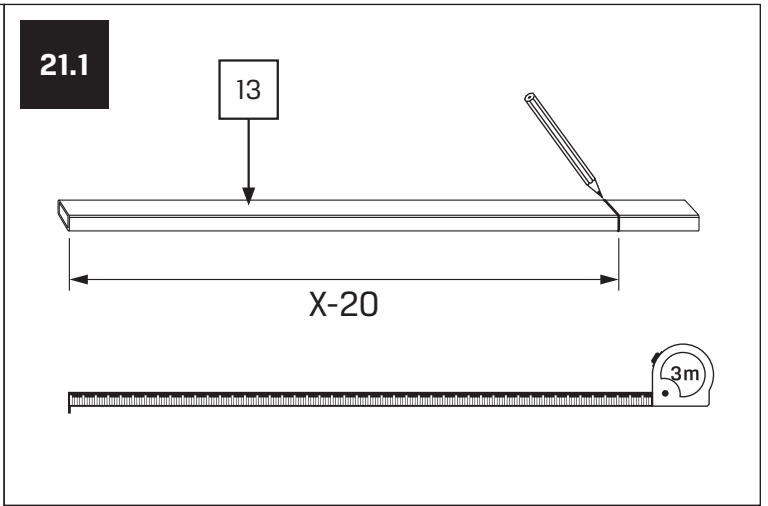
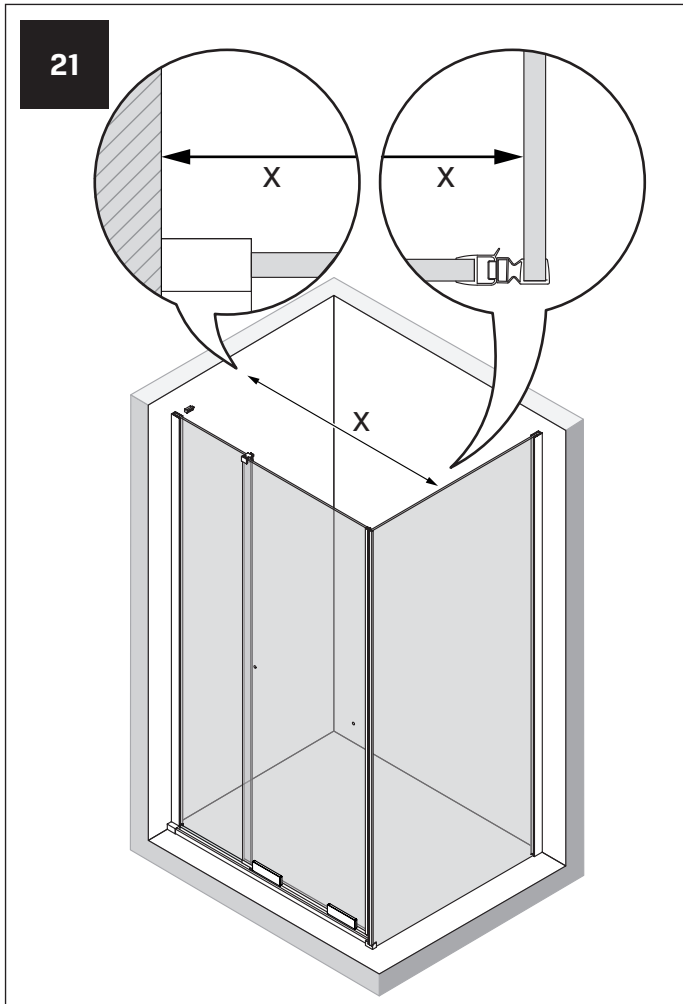
✗ → 16 / 10.3

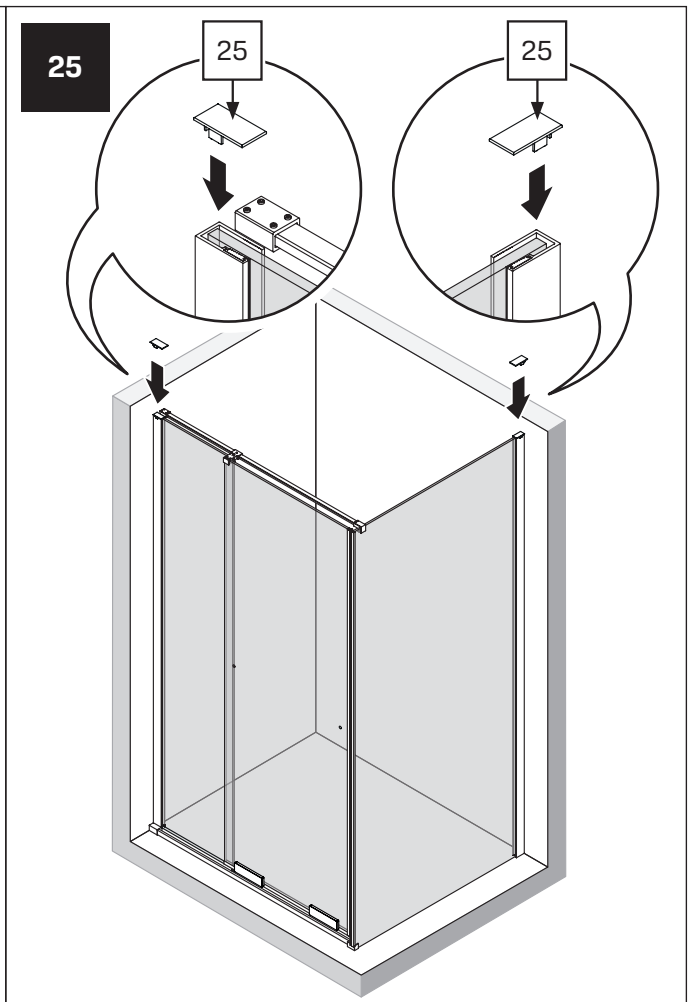
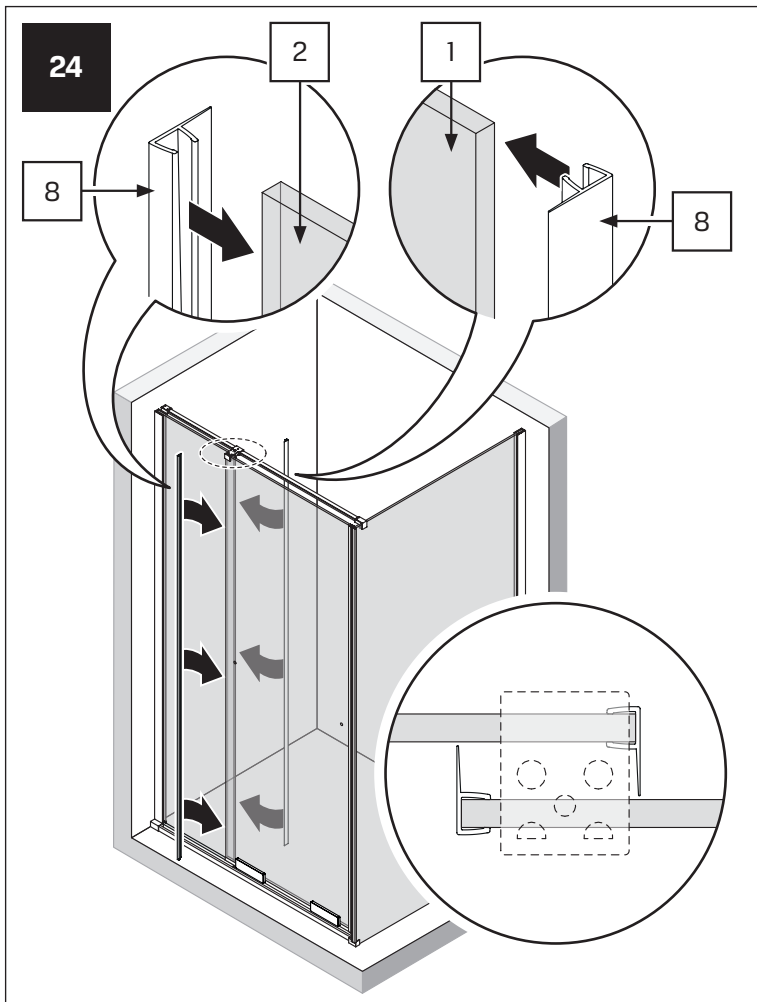
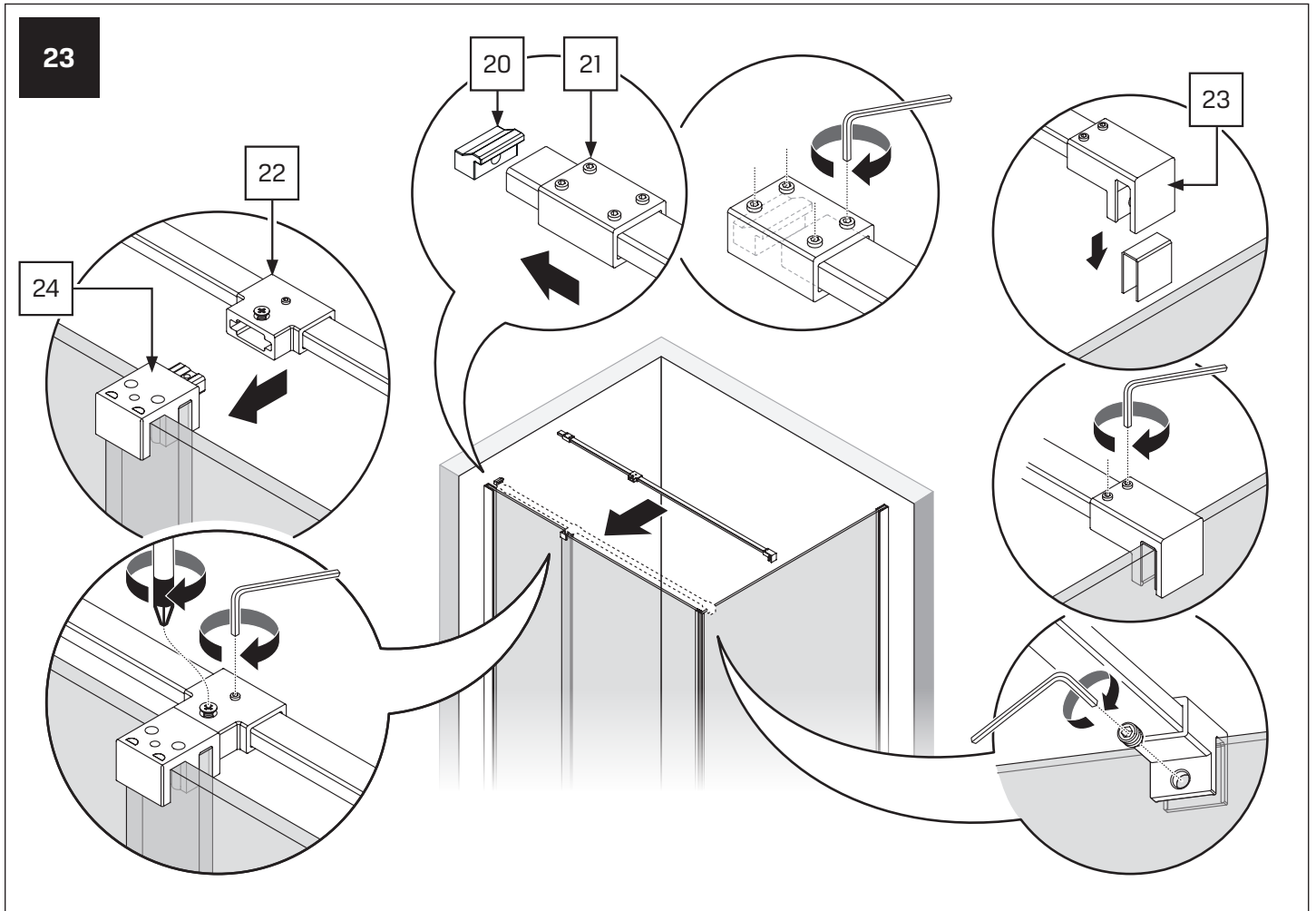
20



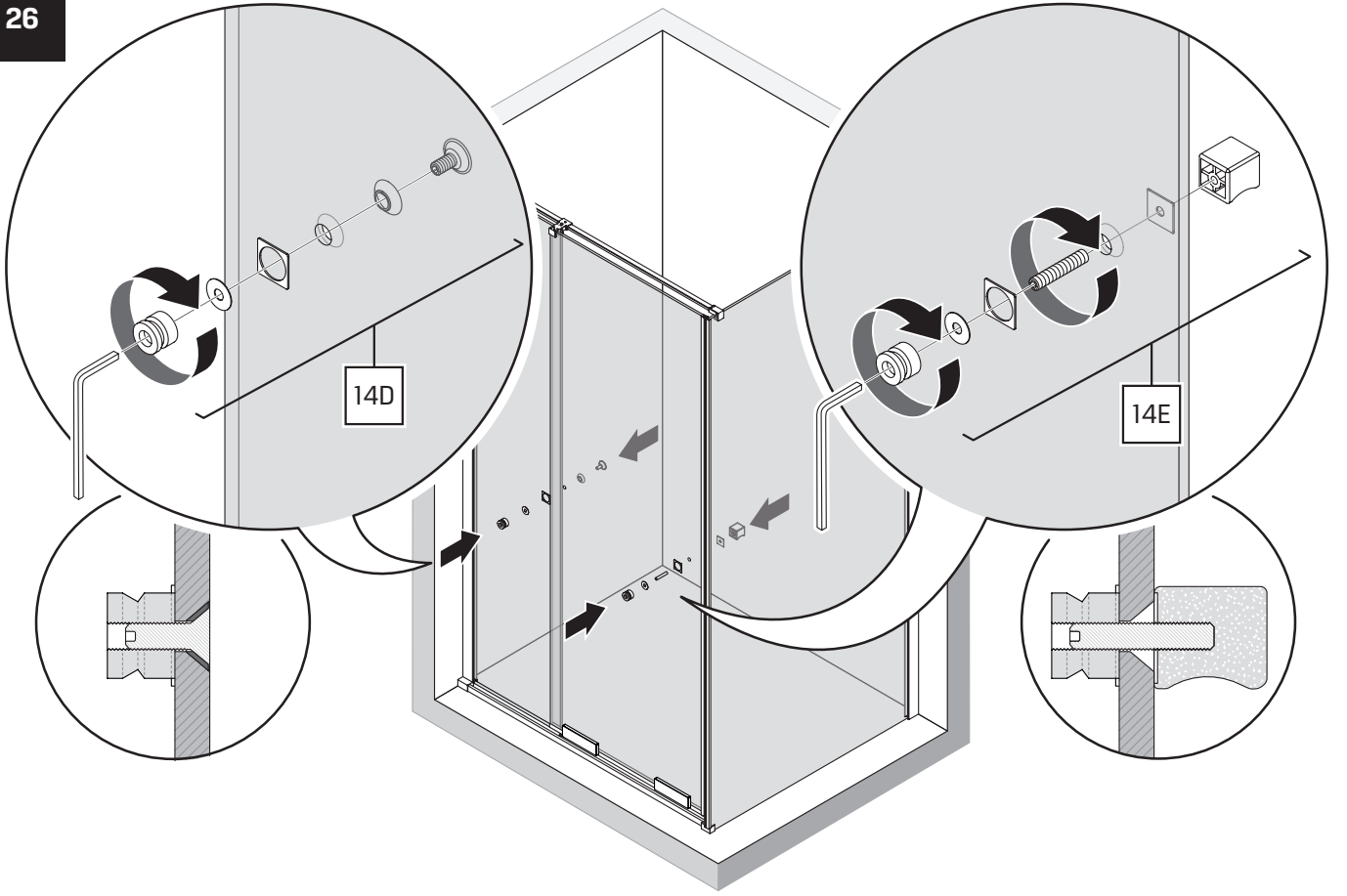
20.1



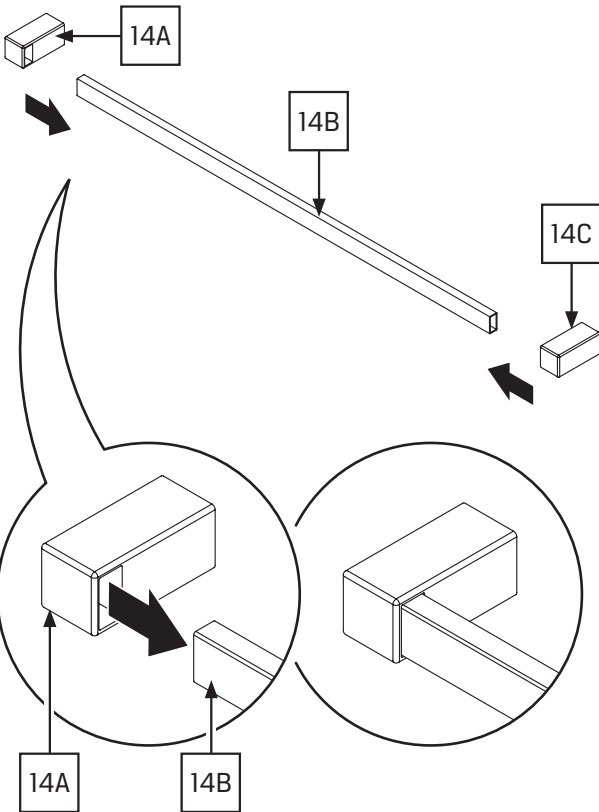




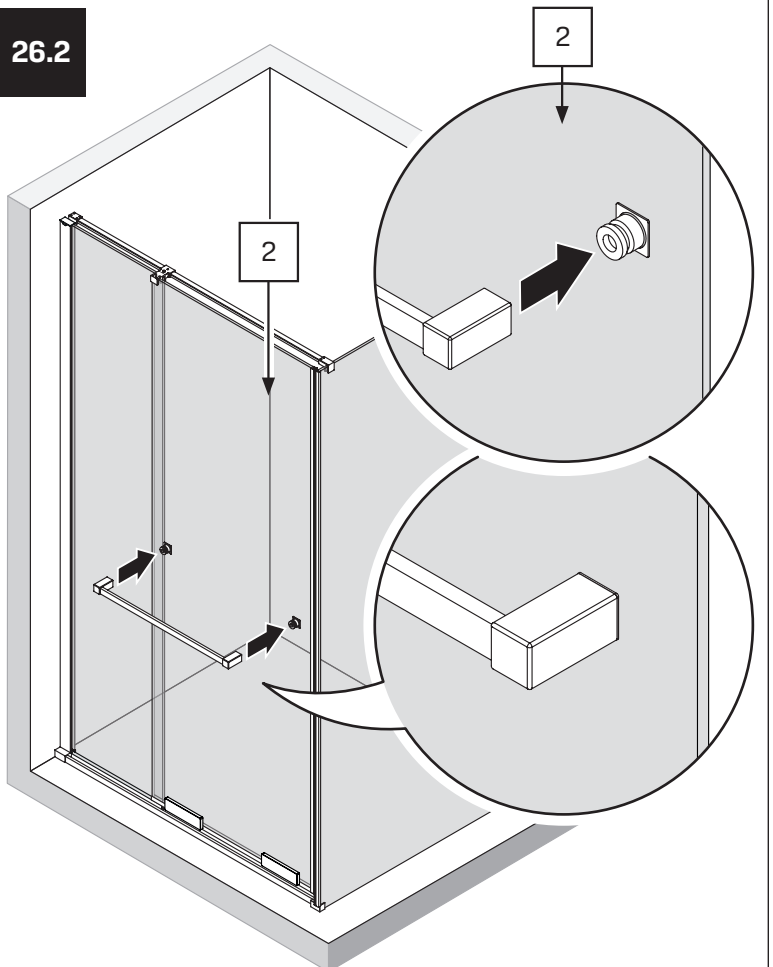
26



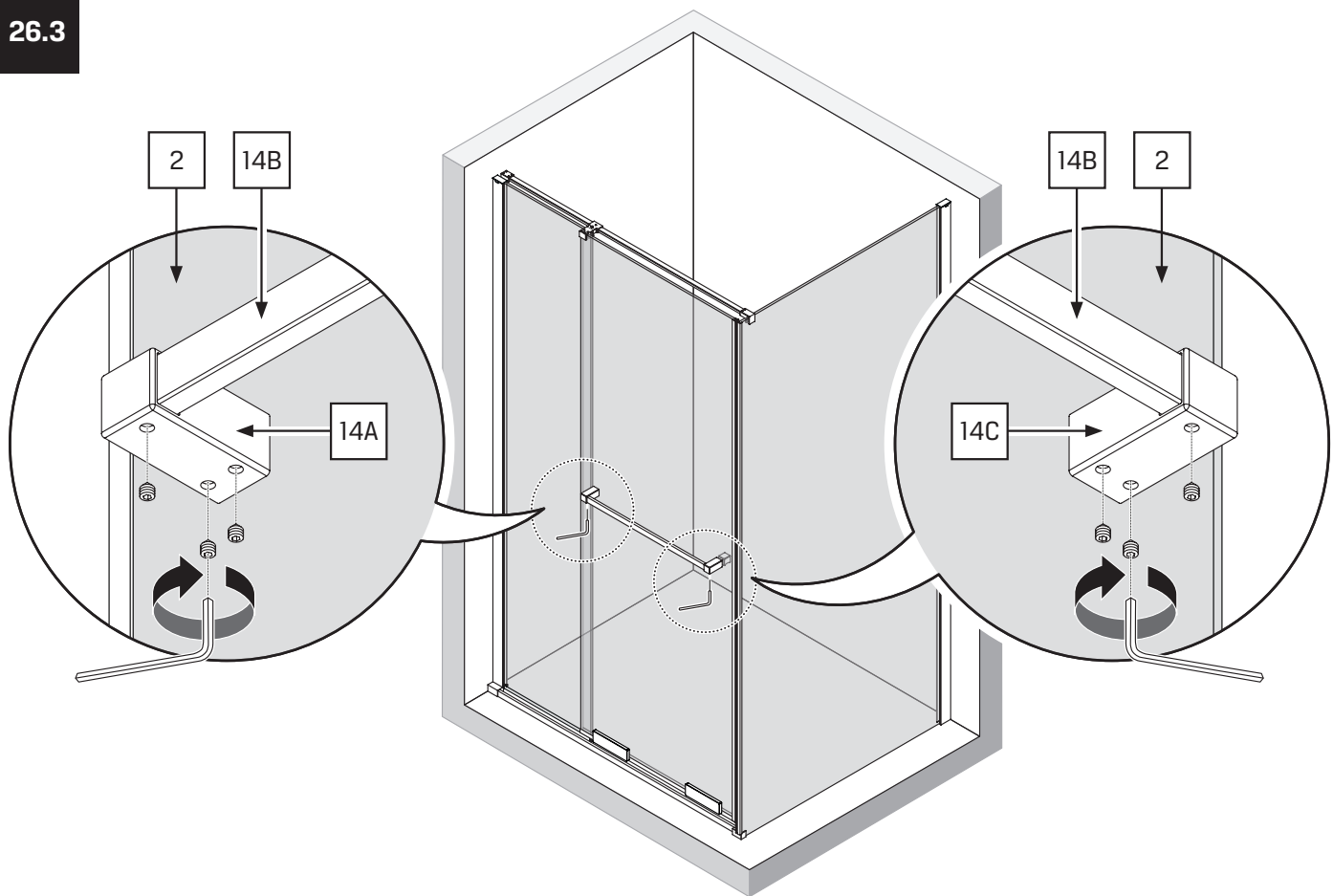
26.1



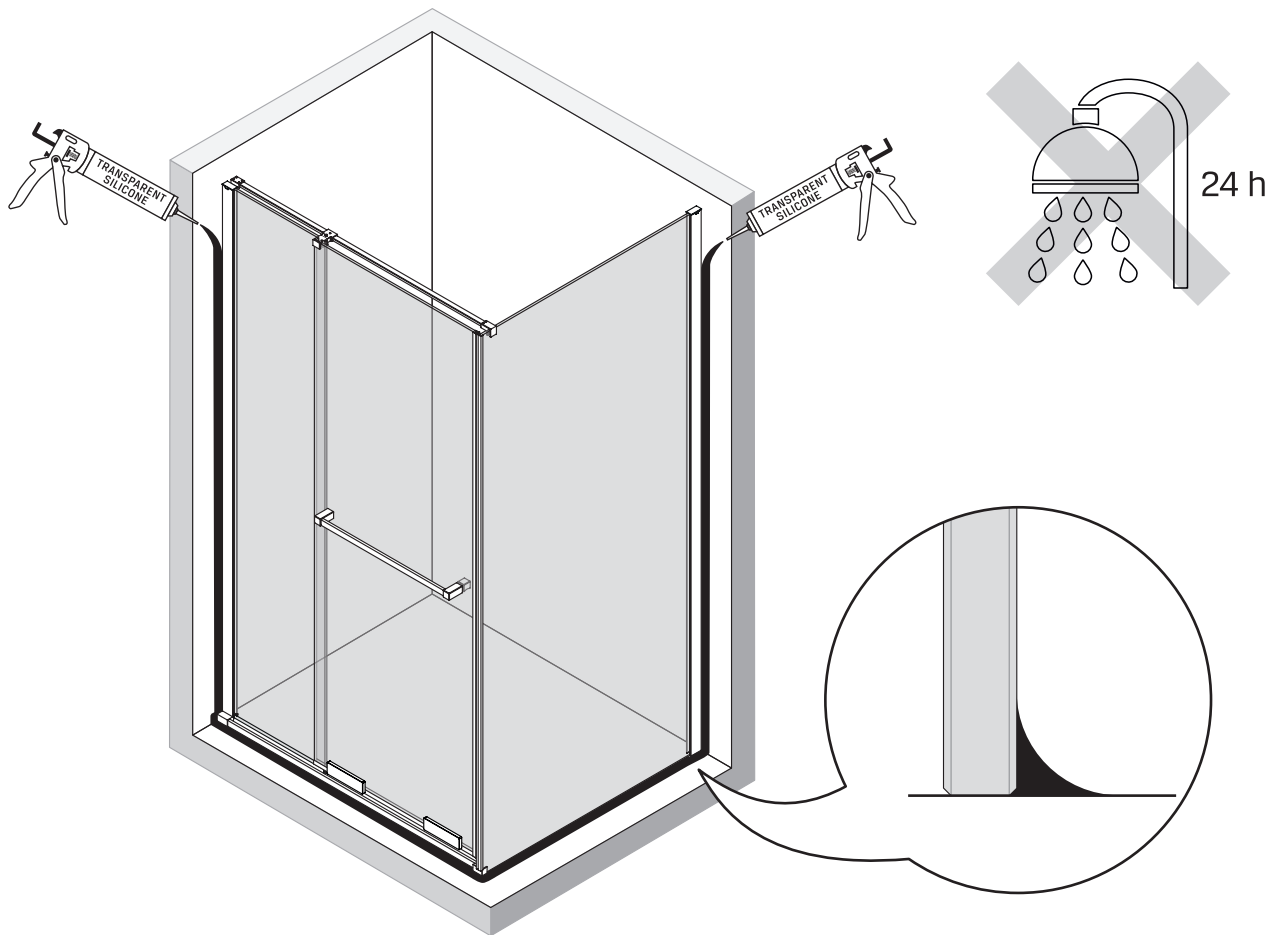
26.2



26.3



27





NEW TRENDY Sp. z o.o.

E-mail: serwis@newtrendy.pl
www.newtrendy.pl