

# NESTA

**NEW TRENDY Sp. z o.o.**

ul. Taszarowo 18

62-100 Wągrowiec

Tel. 67 262 12 66

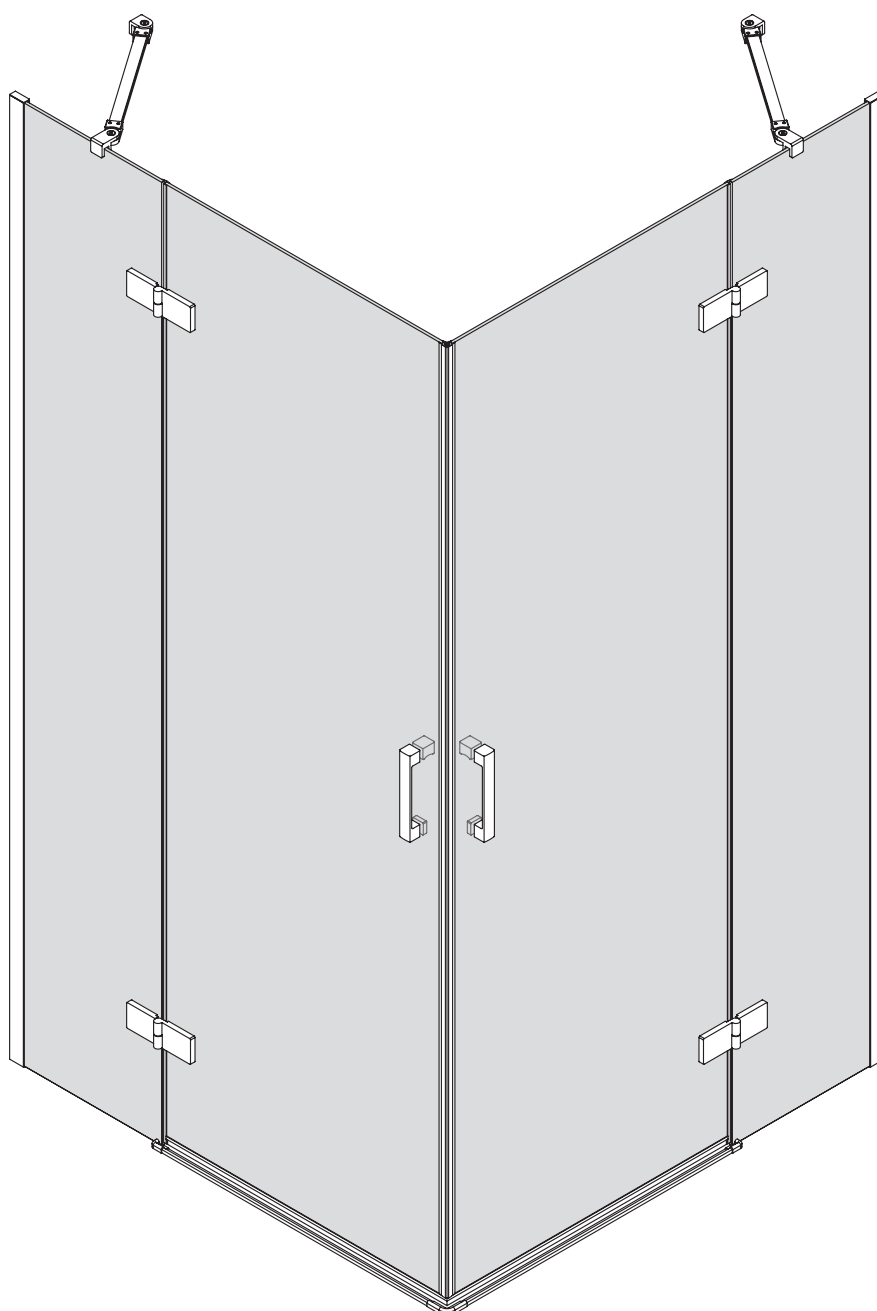
E-mail: serwis@newtrendy.pl

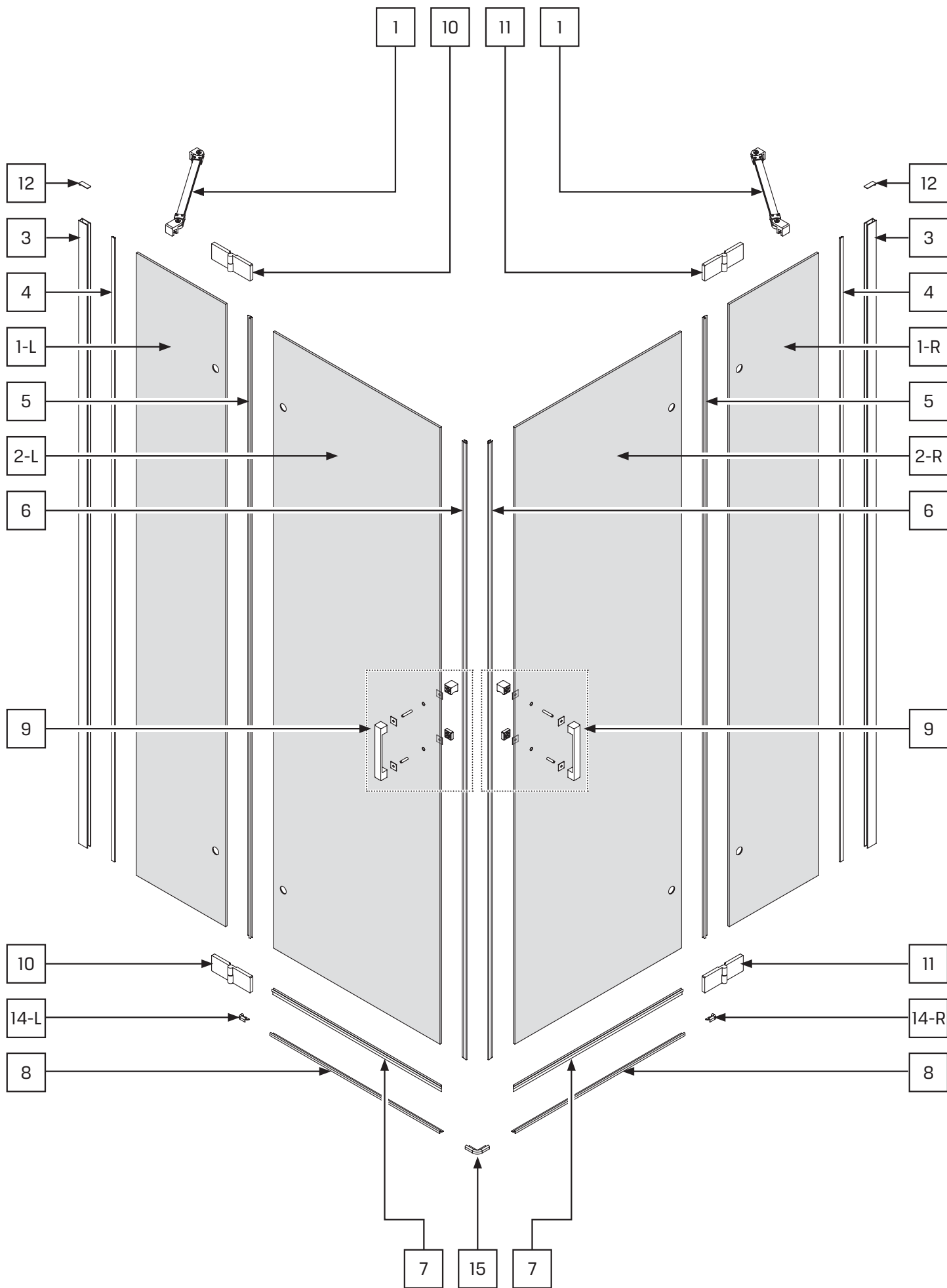


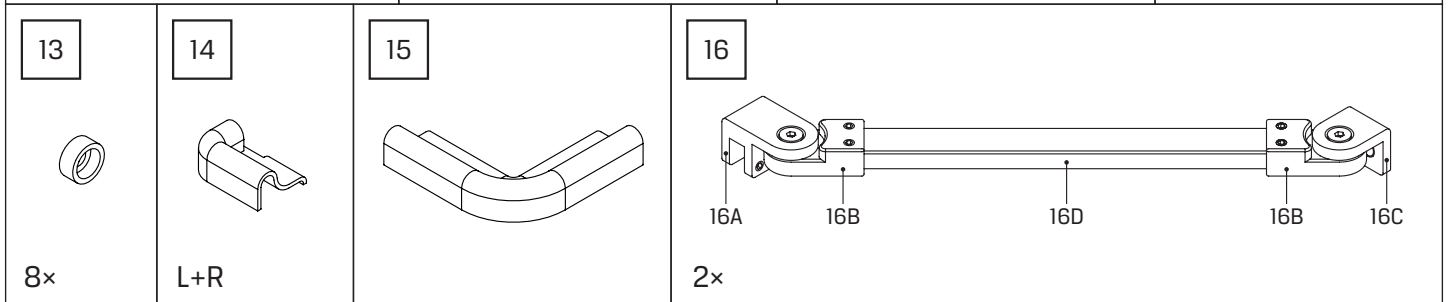
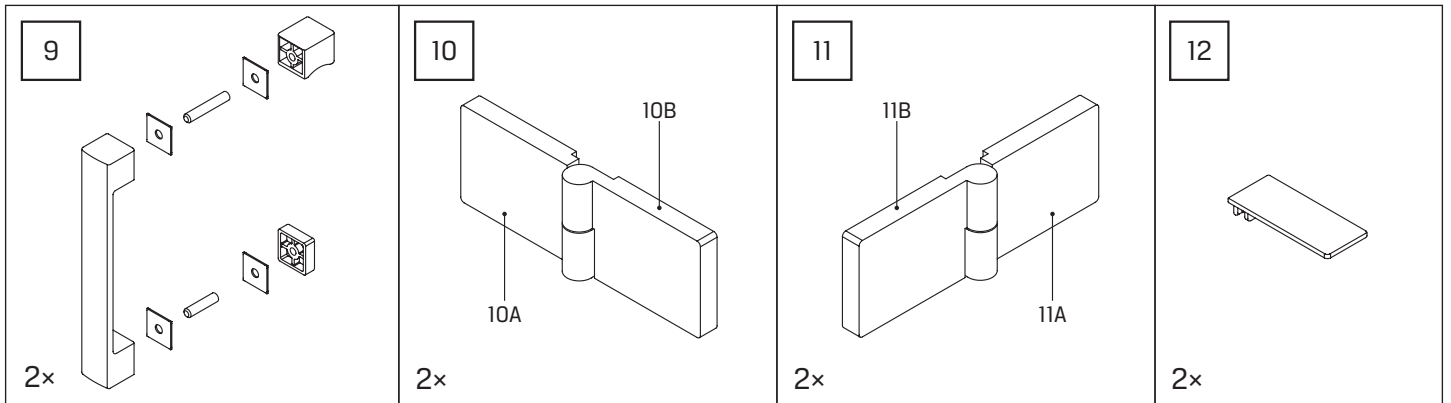
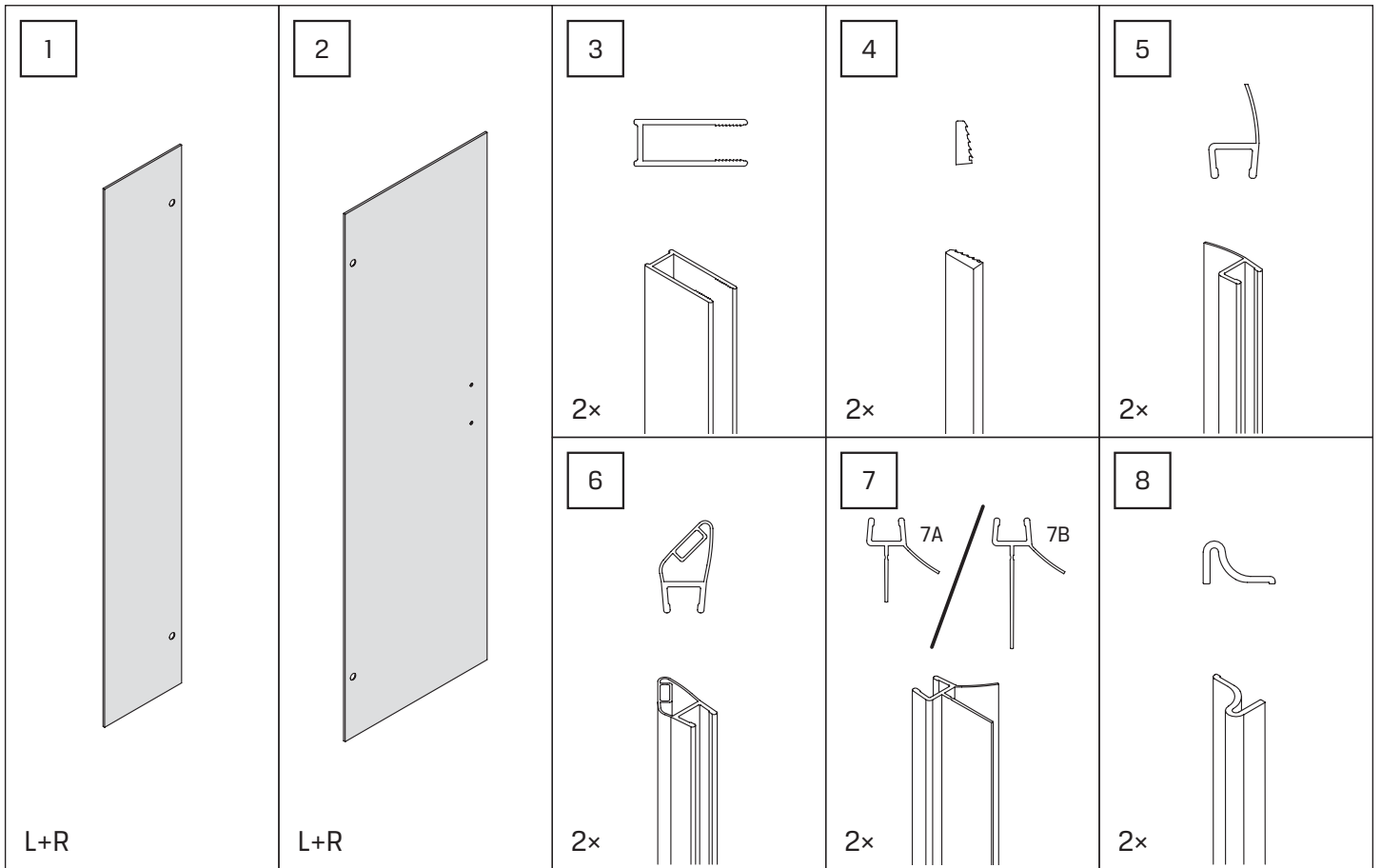
NEW  
TRENDY

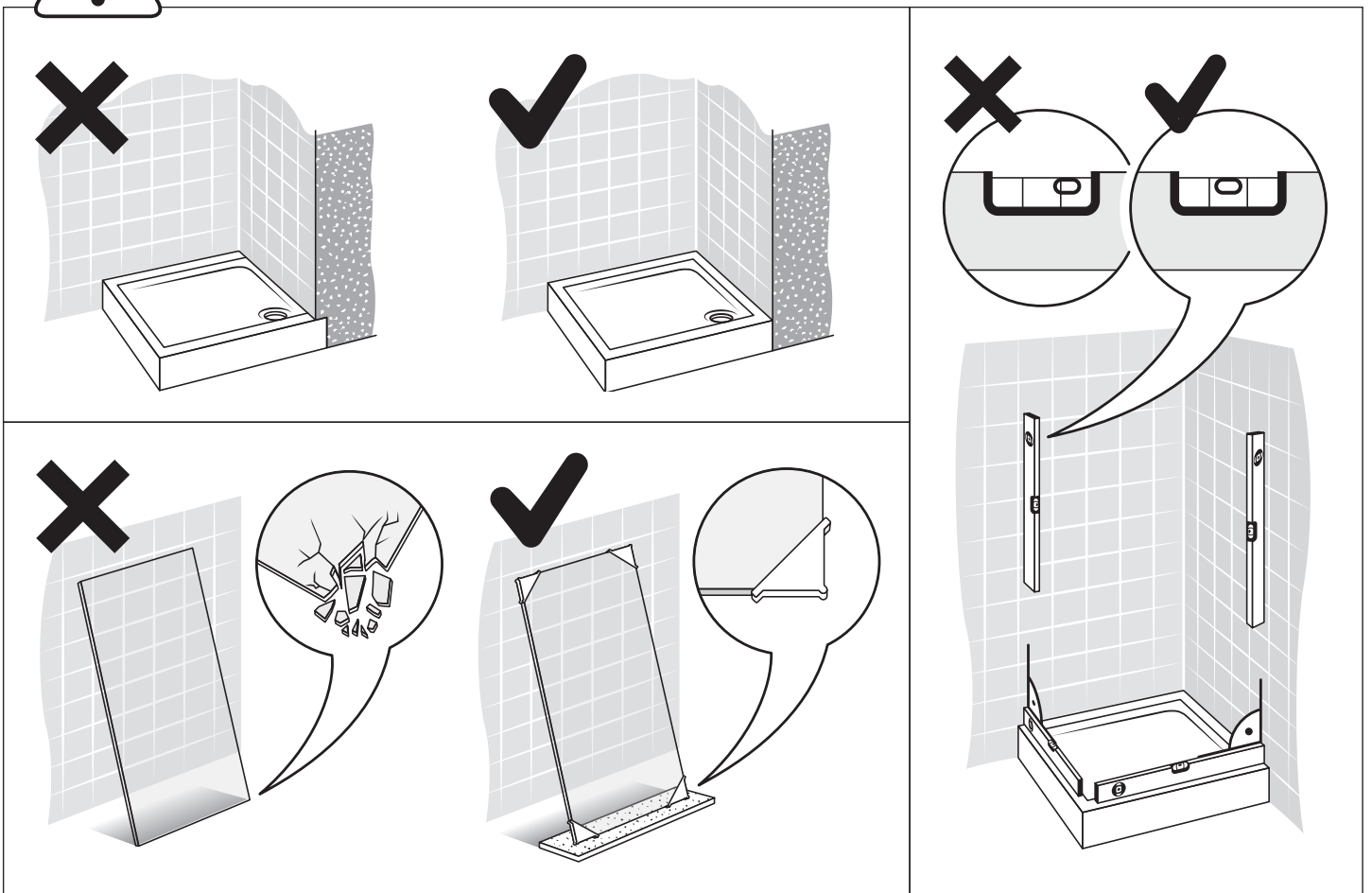
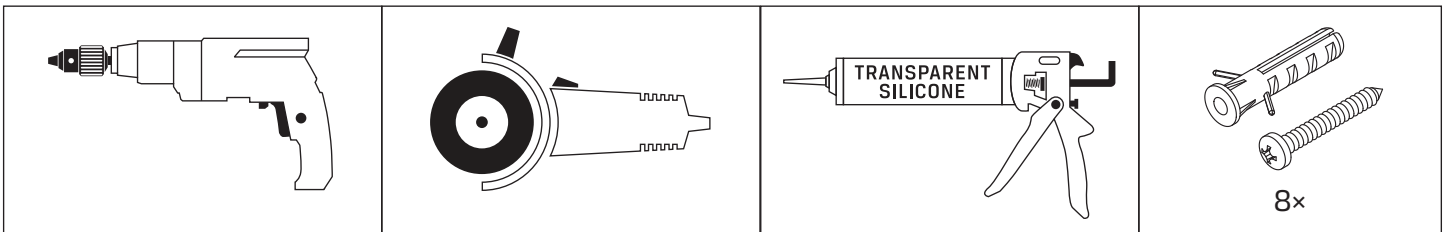
**I-0968**

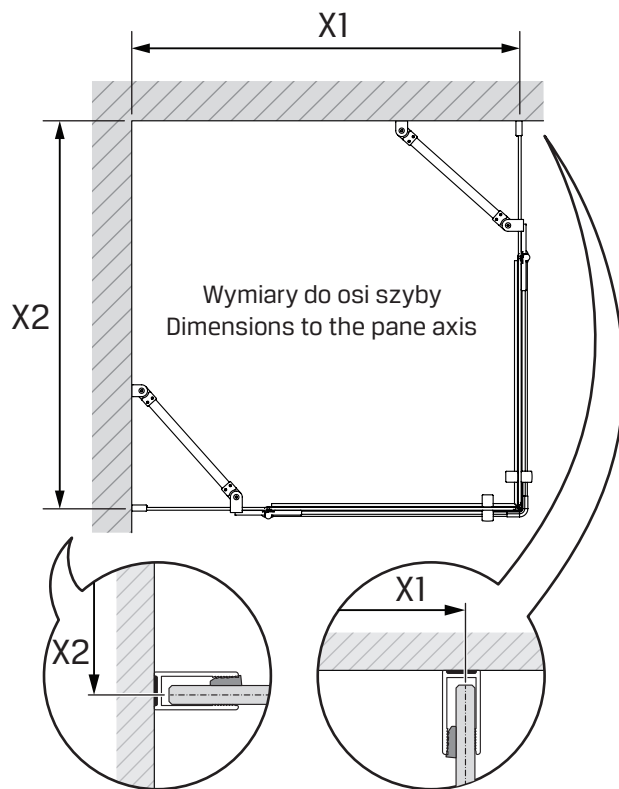
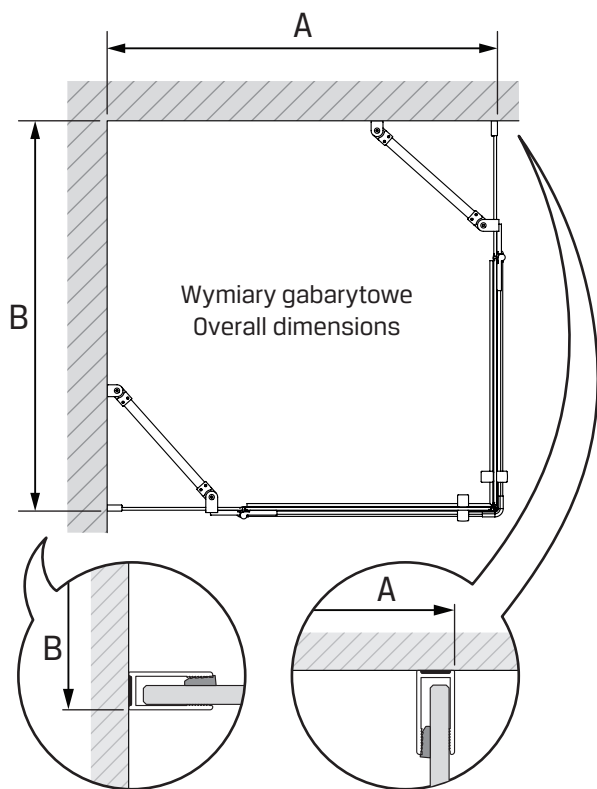
v. 02









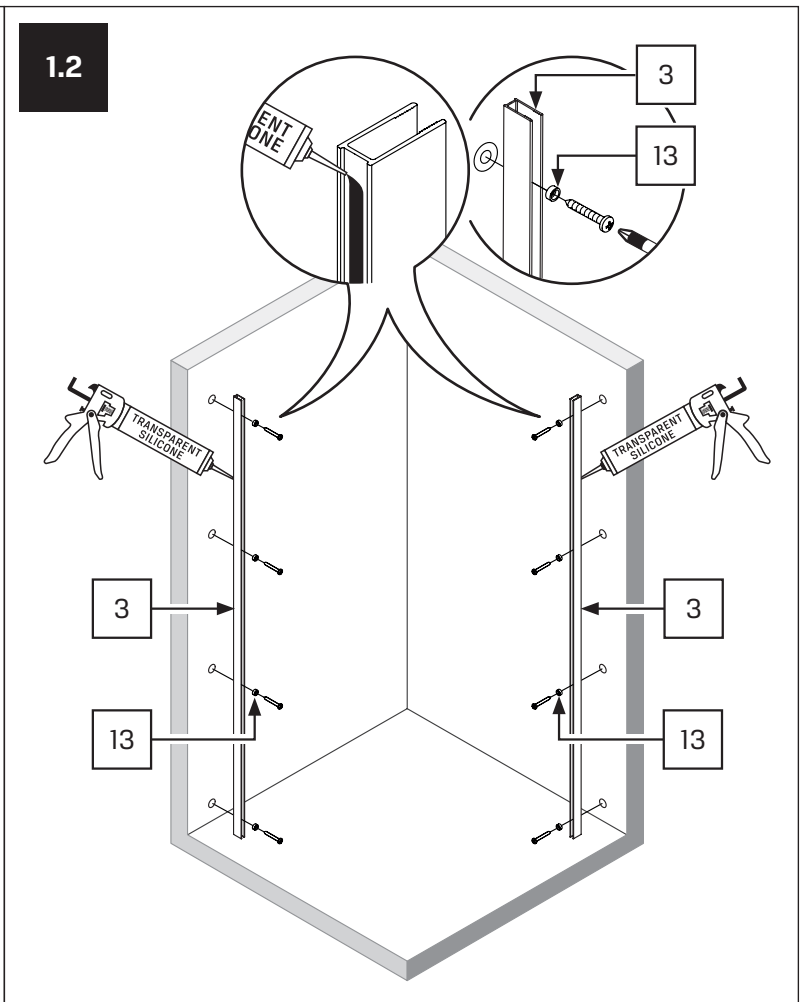
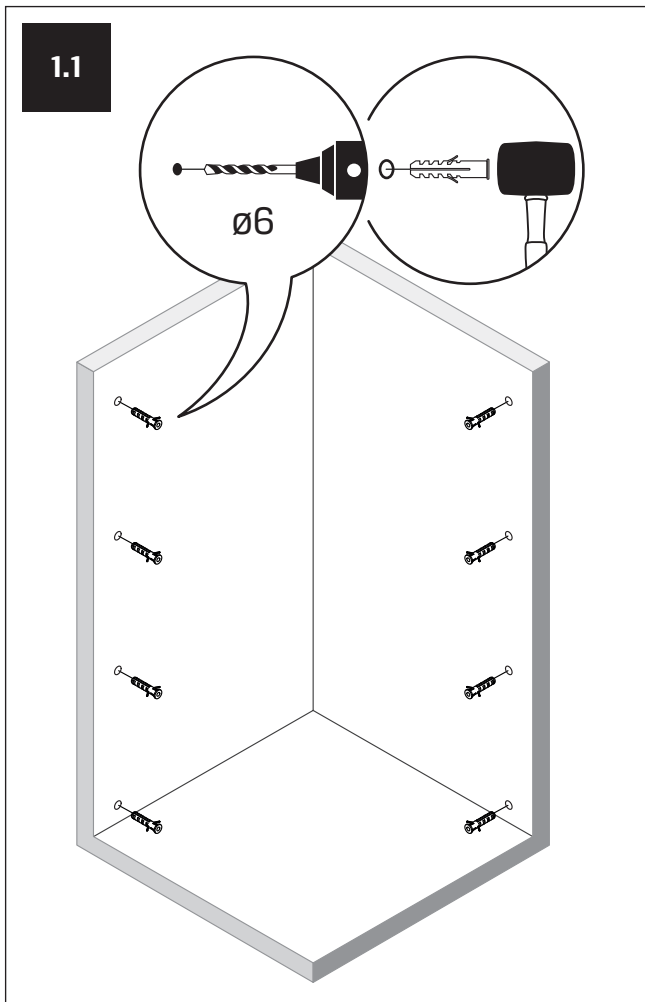
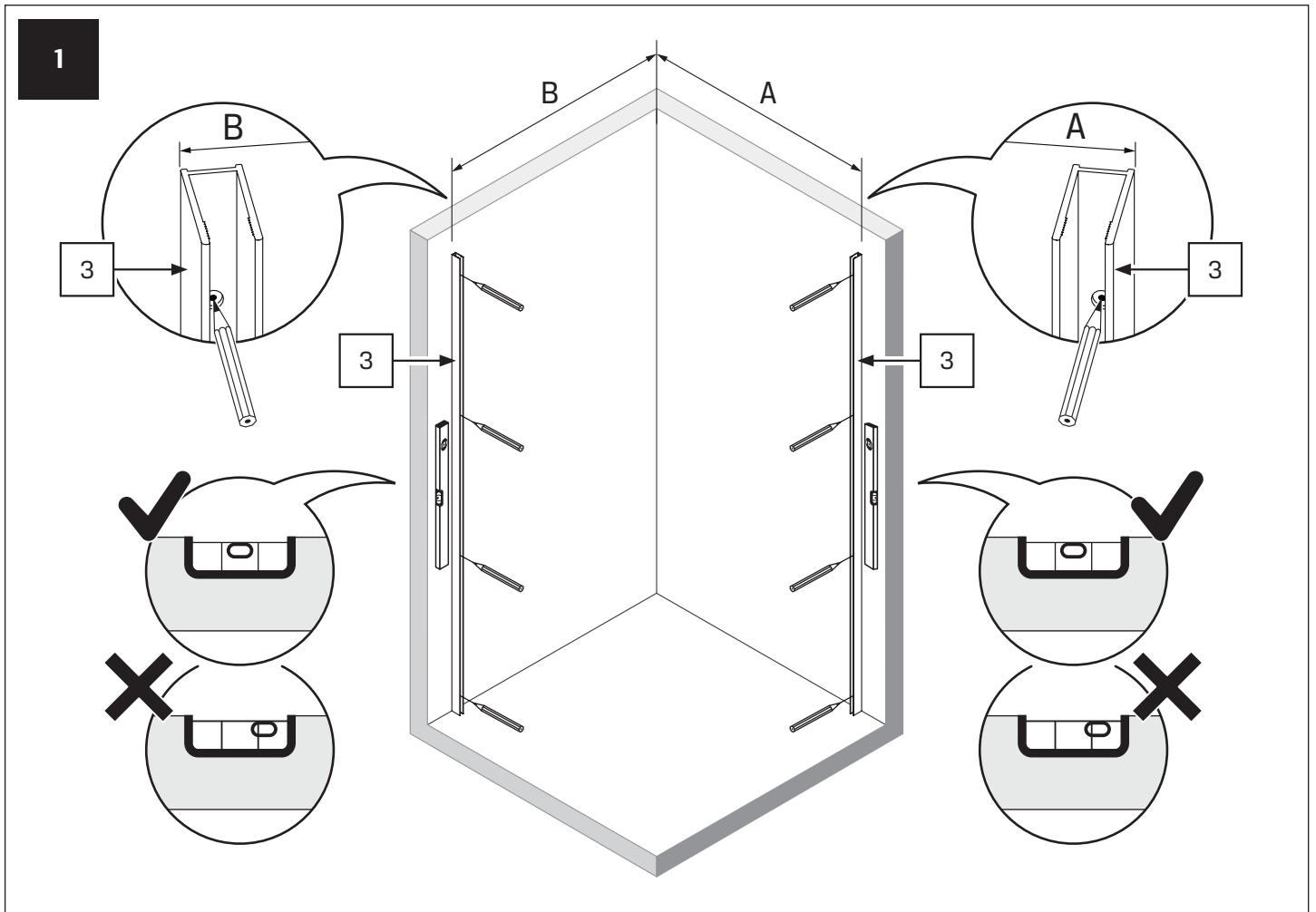


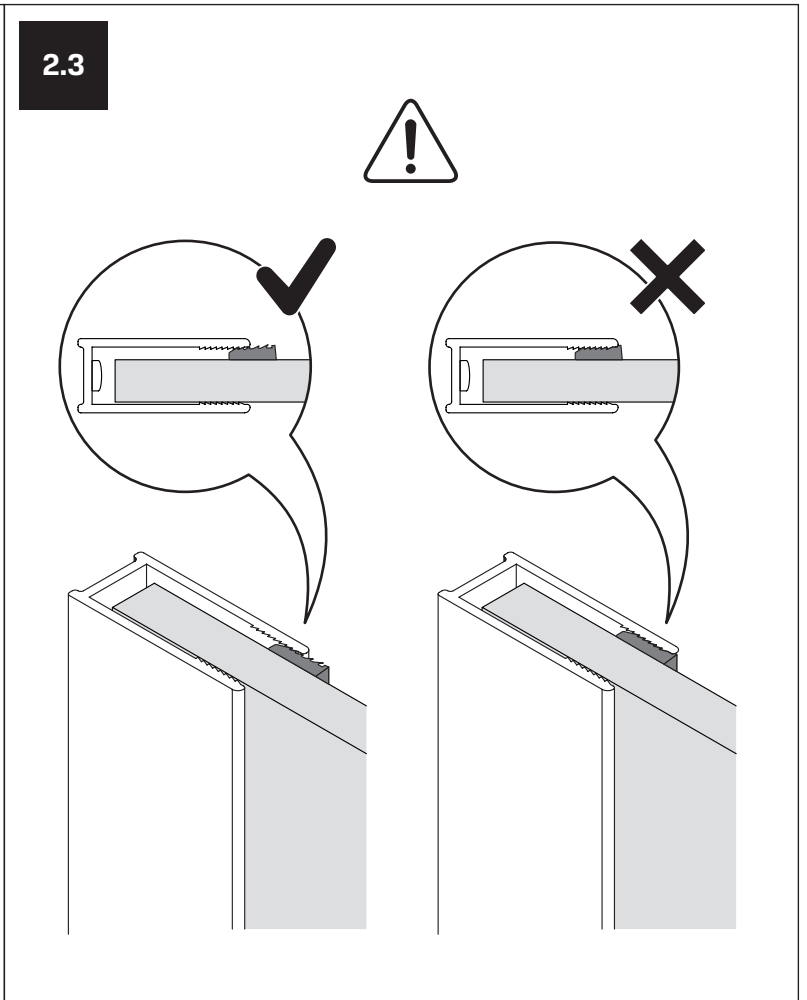
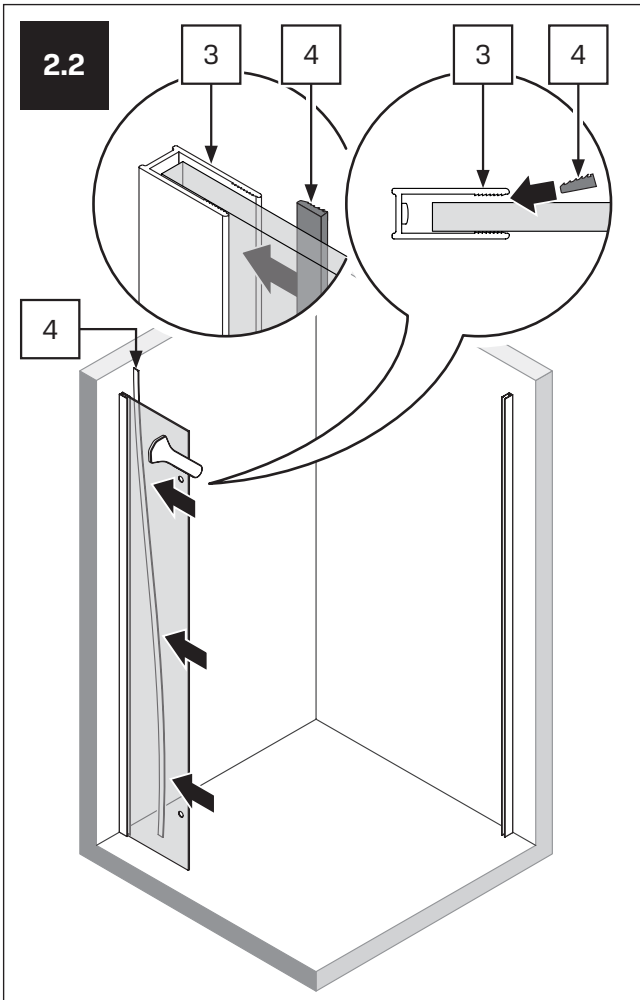
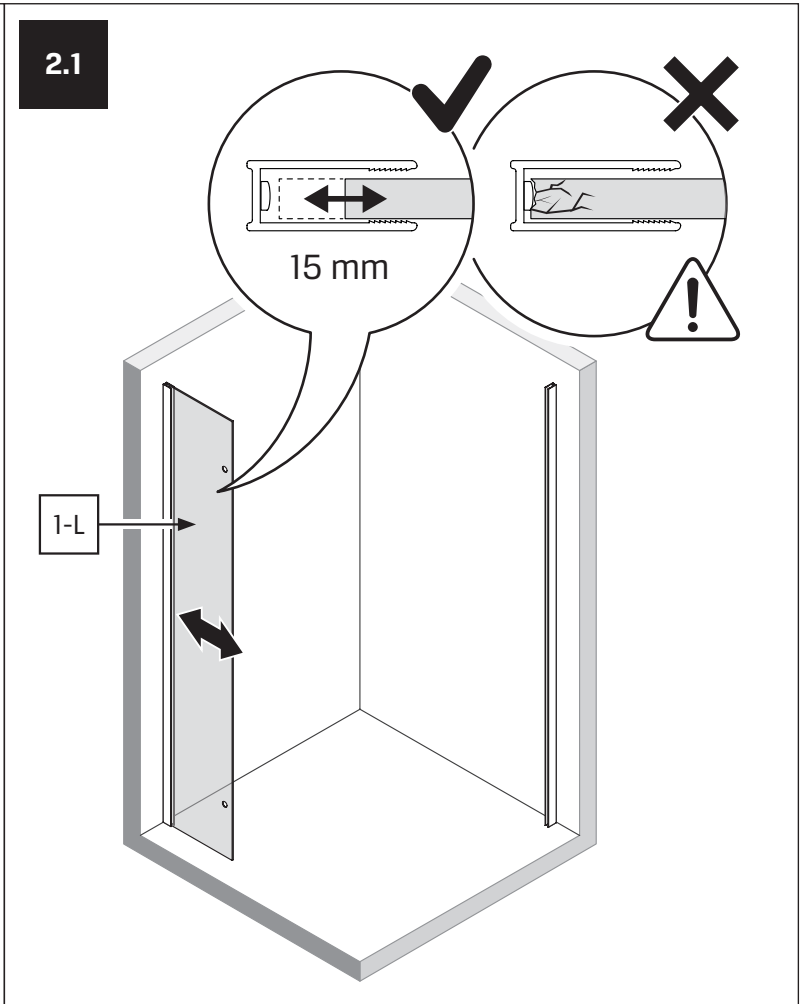
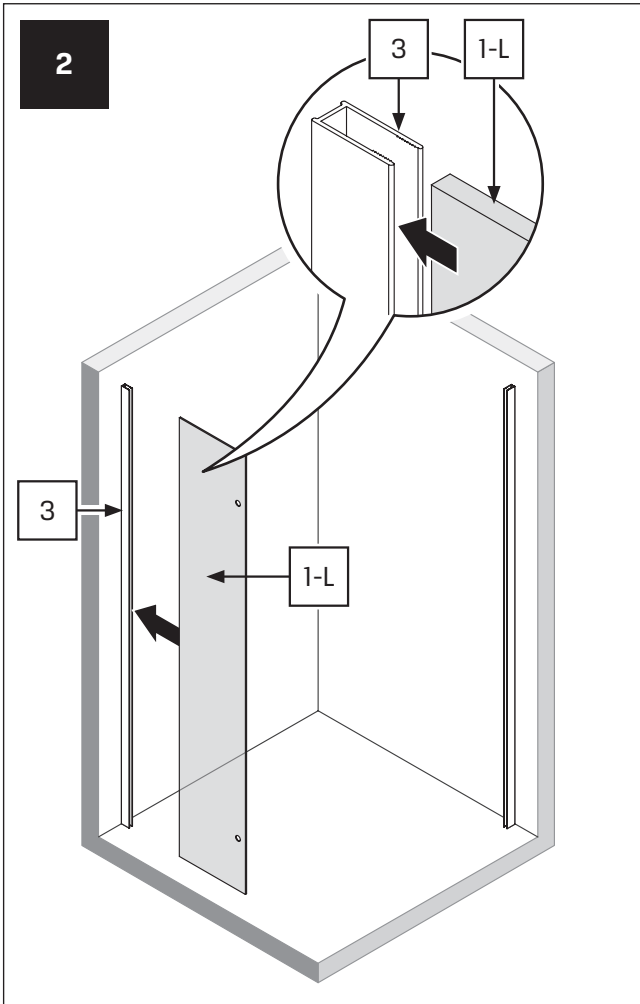
**TABELA NIE DOTYCZY KABIN NA WYMIAR!  
THE TABLE DOES NOT INCLUDE CUSTOM-MADE ENCLOSURES!**

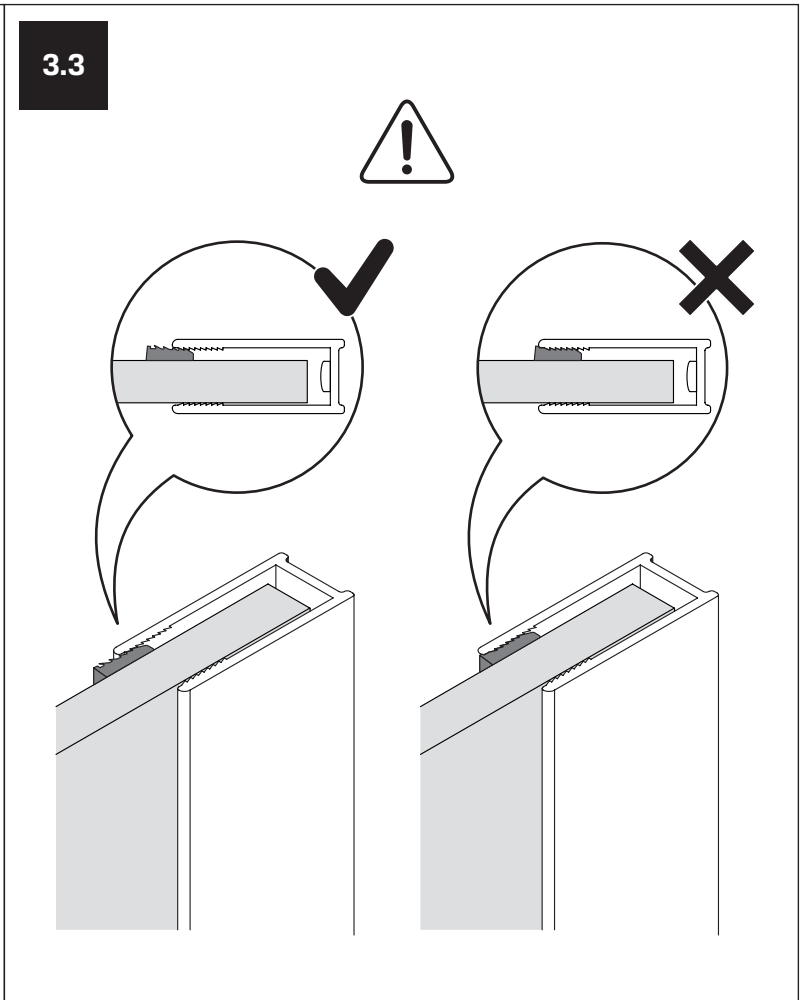
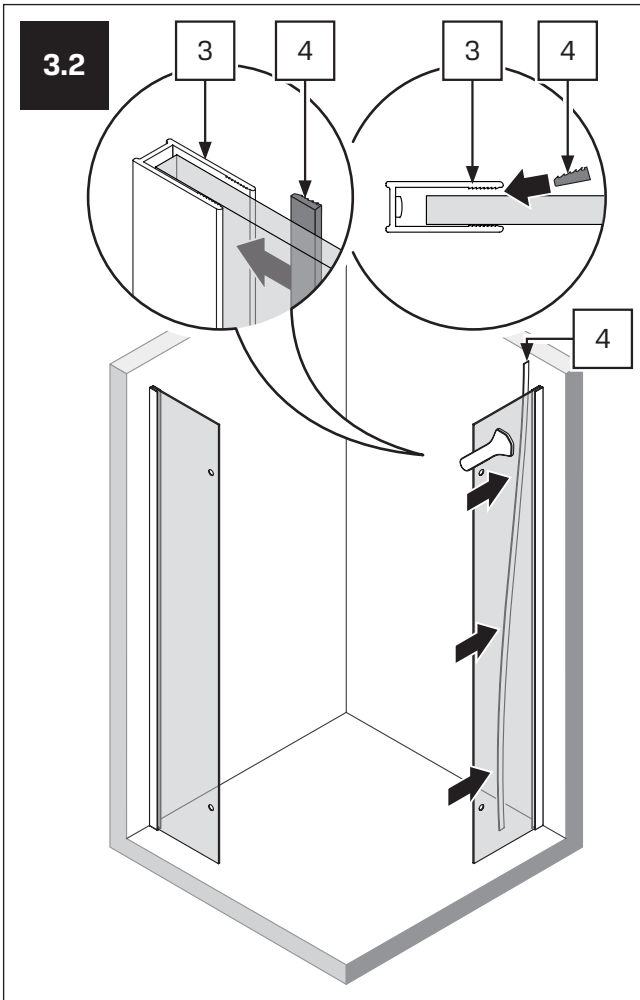
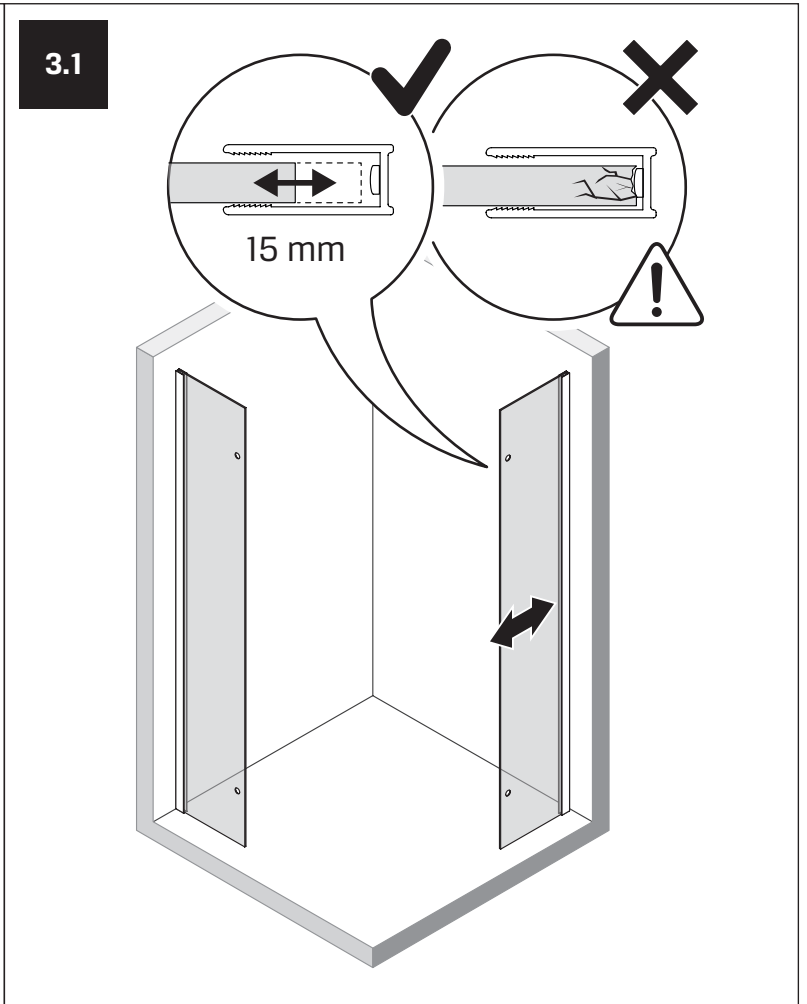
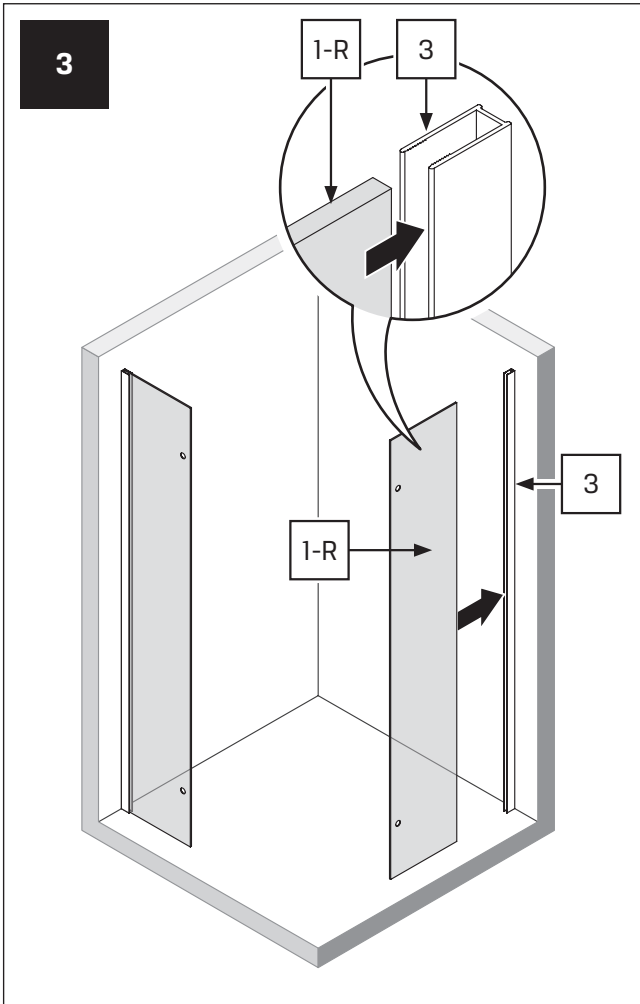
Specyfikacja techniczna **Kabin Na Wymiar** znajduje się w potwierdzeniu zamówienia.  
The technical specification of the **Custom-Made Cabin** can be found in the order confirmation.

|             | Wymiary gabarytowe<br>Overall dimensions |           | Wymiary do osi szyby<br>Dimensions to the pane axis |           |
|-------------|--|-----------|---|-----------|
|             | A  | B         | X1  | X2        |
| 80x80x200   | 78-79,5                                  | 78-79,5   | 77,5-79   | 77,5-79   |
| 80x90x200   | 78-79,5                                  | 88-89,5   | 77,5-79   | 87,5-89   |
| 80x100x200  | 78-79,5                                  | 98-99,5   | 77,5-79   | 97,5-99   |
| 80x110x200  | 78-79,5                                  | 108-109,5 | 77,5-79   | 107,5-109 |
| 80x120x200  | 78-79,5                                  | 118-119,5 | 77,5-79   | 117,5-119 |
| 90x80x200   | 88-89,5                                  | 78-79,5   | 87,5-89   | 77,5-79   |
| 90x90x200   | 88-89,5                                  | 88-89,5   | 87,5-89   | 87,5-89   |
| 90x100x200  | 88-89,5                                  | 98-99,5   | 87,5-89   | 97,5-99   |
| 90x110x200  | 88-89,5                                  | 108-109,5 | 87,5-89   | 107,5-109 |
| 90x120x200  | 88-89,5                                  | 118-119,5 | 87,5-89   | 117,5-119 |
| 100x80x200  | 98-99,5                                  | 78-79,5   | 97,5-99   | 77,5-79   |
| 100x90x200  | 98-99,5                                  | 88-89,5   | 97,5-99   | 87,5-89   |
| 100x100x200 | 98-99,5                                  | 98-99,5   | 97,5-99   | 97,5-99   |

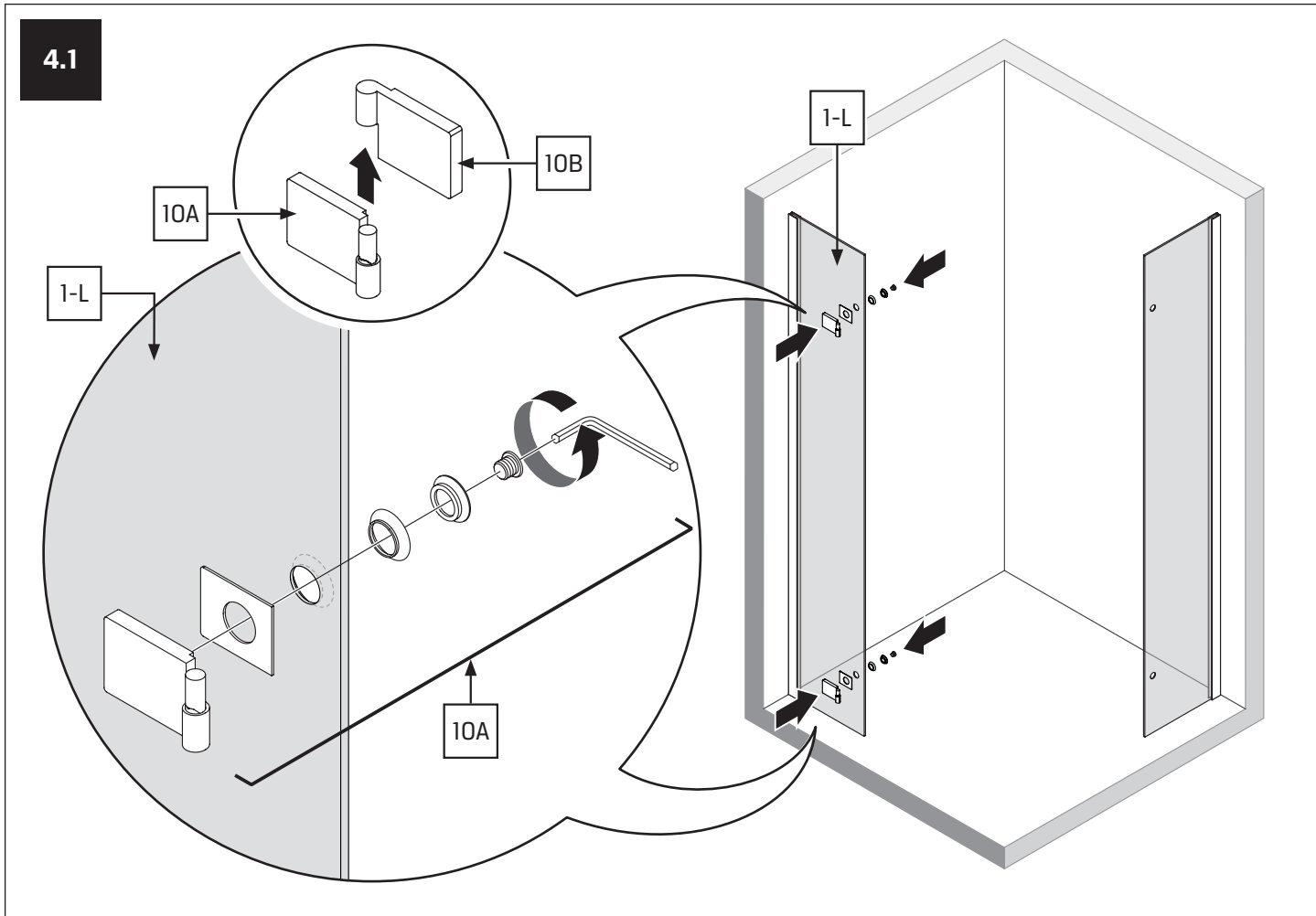
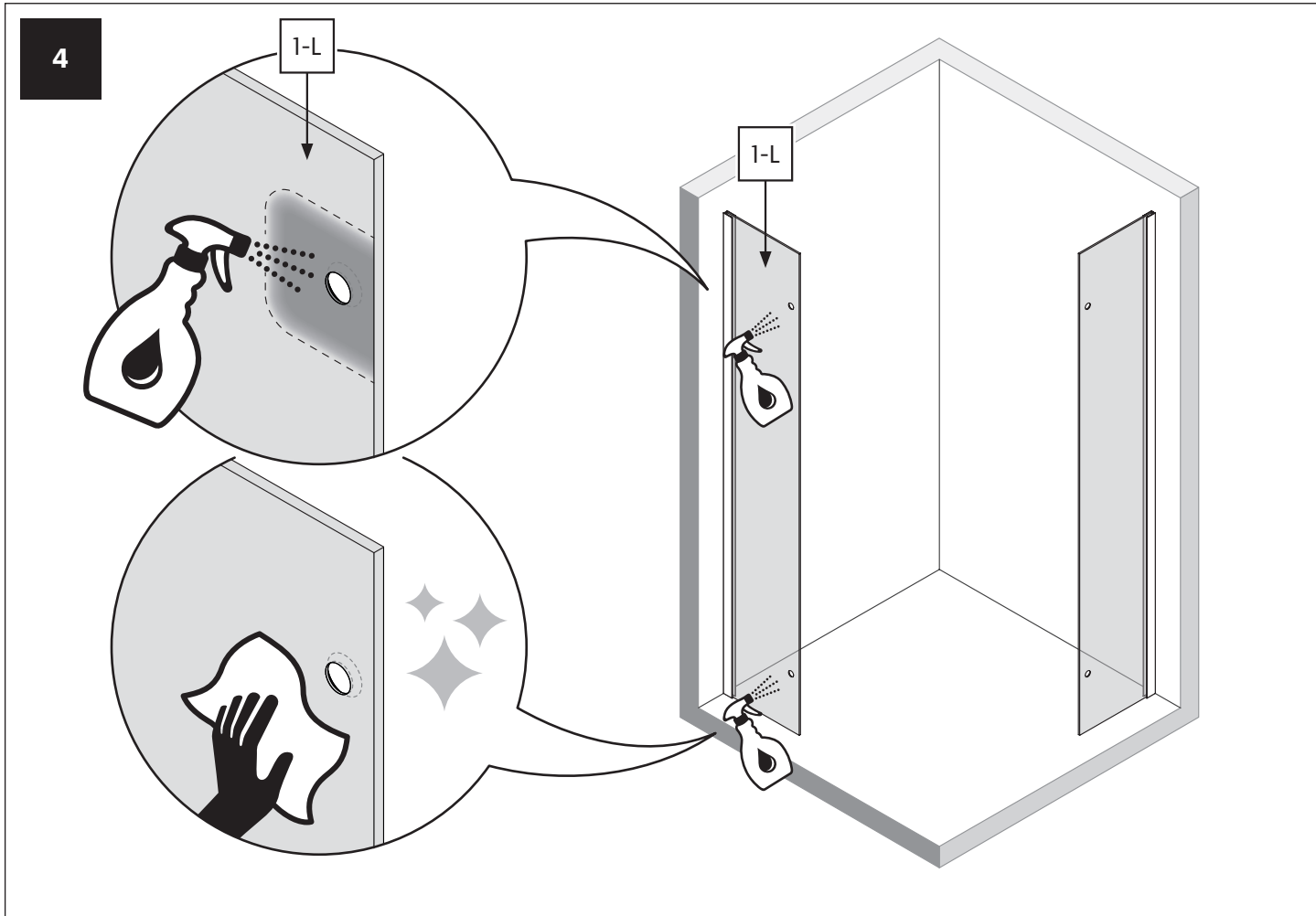
|             | Wymiary gabarytowe<br>Overall dimensions |           | Wymiary do osi szyby<br>Dimensions to the pane axis |           |
|-------------|--|-----------|---|-----------|
|             | A  | B         | X1  | X2        |
| 100x110x200 | 98-99,5                                  | 108-109,5 | 97,5-99   | 107,5-109 |
| 100x120x200 | 98-99,5                                  | 118-119,5 | 97,5-99   | 117,5-119 |
| 110x80x200  | 108-109,5                                | 78-79,5   | 107,5-109   | 77,5-79   |
| 110x90x200  | 108-109,5                                | 88-89,5   | 107,5-109   | 87,5-89   |
| 110x100x200 | 108-109,5                                | 98-99,5   | 107,5-109   | 97,5-99   |
| 110x110x200 | 108-109,5                                | 108-109,5 | 107,5-109   | 107,5-109 |
| 110x120x200 | 108-109,5                                | 118-119,5 | 107,5-109   | 117,5-119 |
| 120x80x200  | 118-119,5                                | 78-79,5   | 117,5-119   | 77,5-79   |
| 120x90x200  | 118-119,5                                | 88-89,5   | 117,5-119   | 87,5-89   |
| 120x100x200 | 118-119,5                                | 98-99,5   | 117,5-119   | 97,5-99   |
| 120x110x200 | 118-119,5                                | 108-109,5 | 117,5-119   | 107,5-109 |
| 120x120x200 | 118-119,5                                | 118-119,5 | 117,5-119   | 117,5-119 |



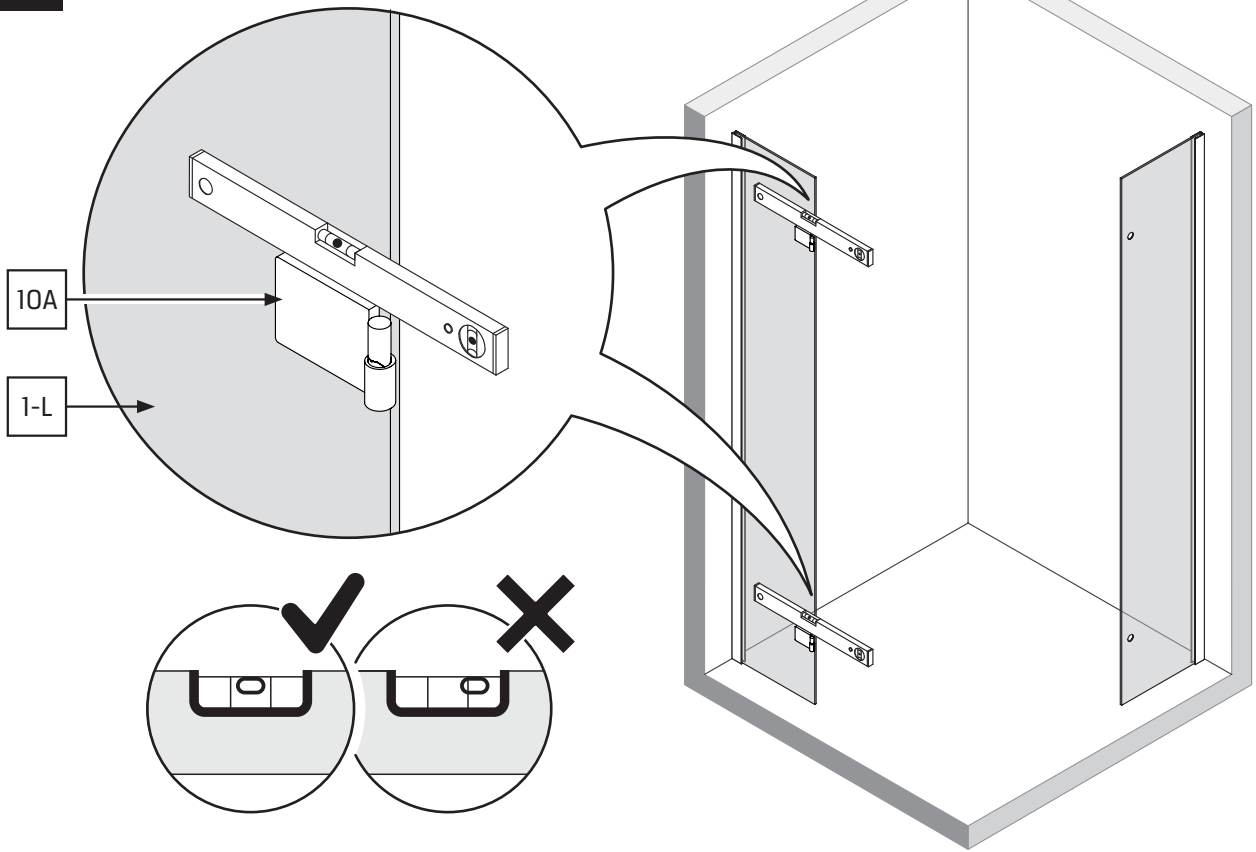




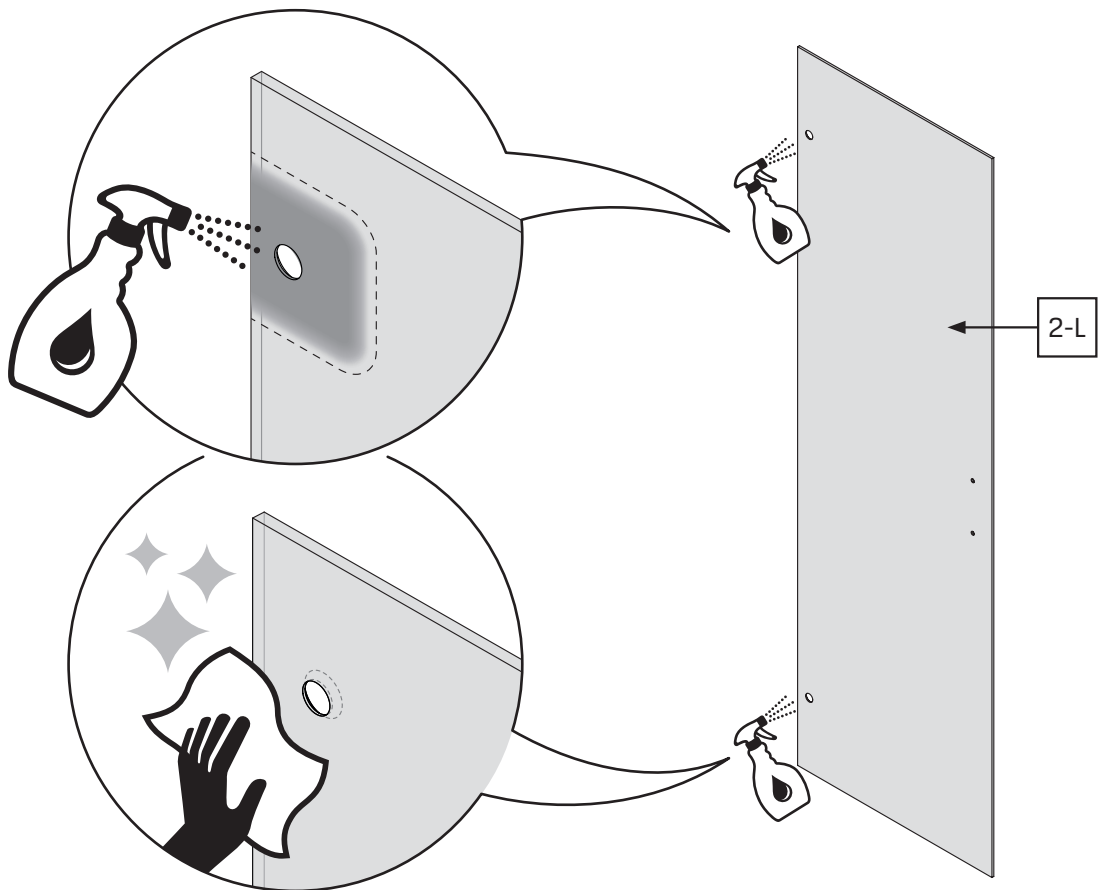




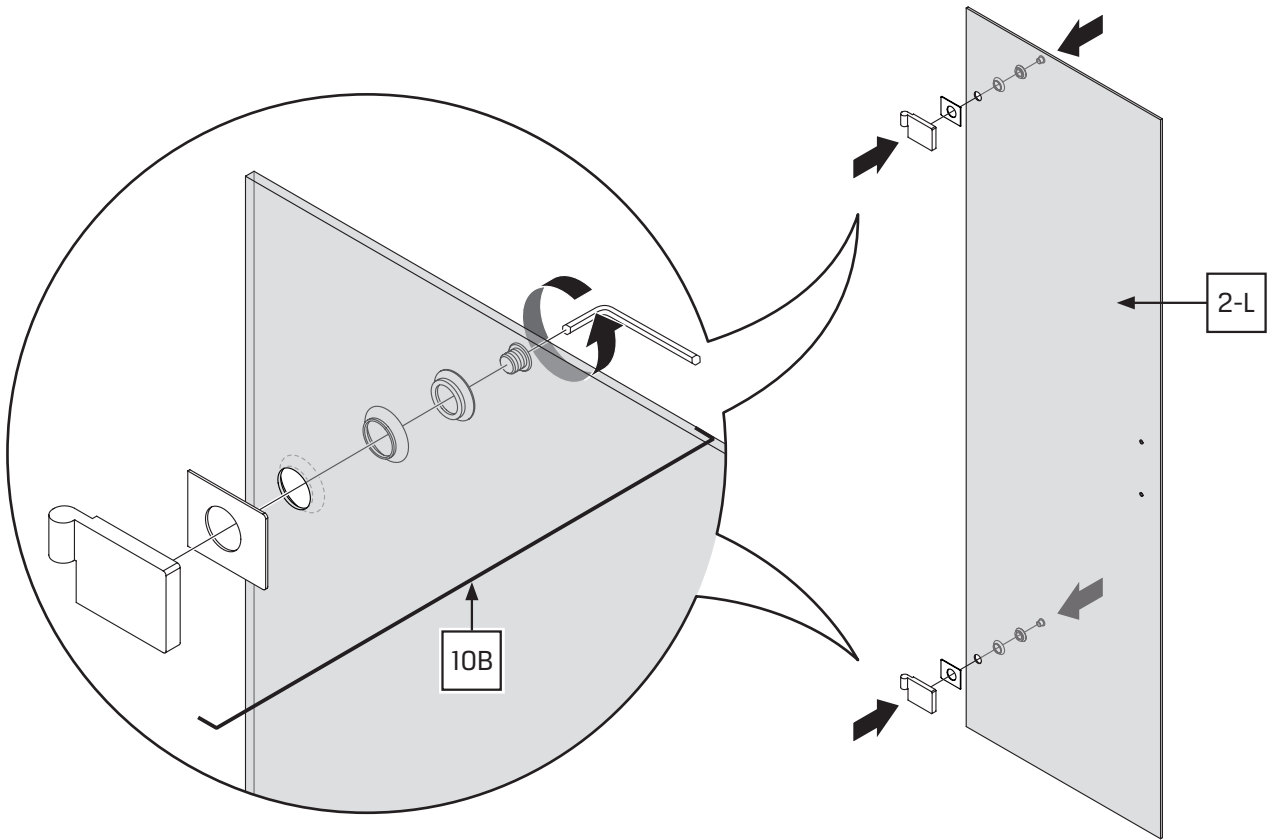
4.2



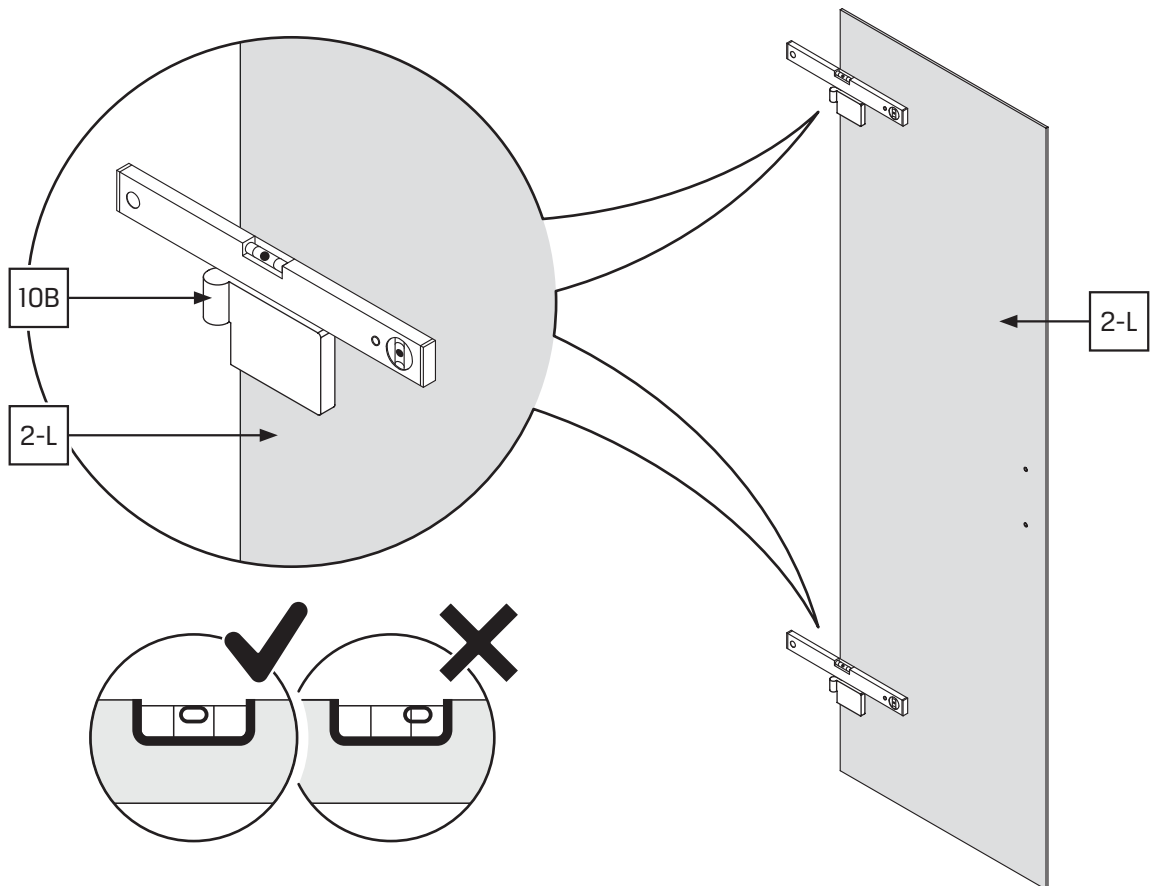
5

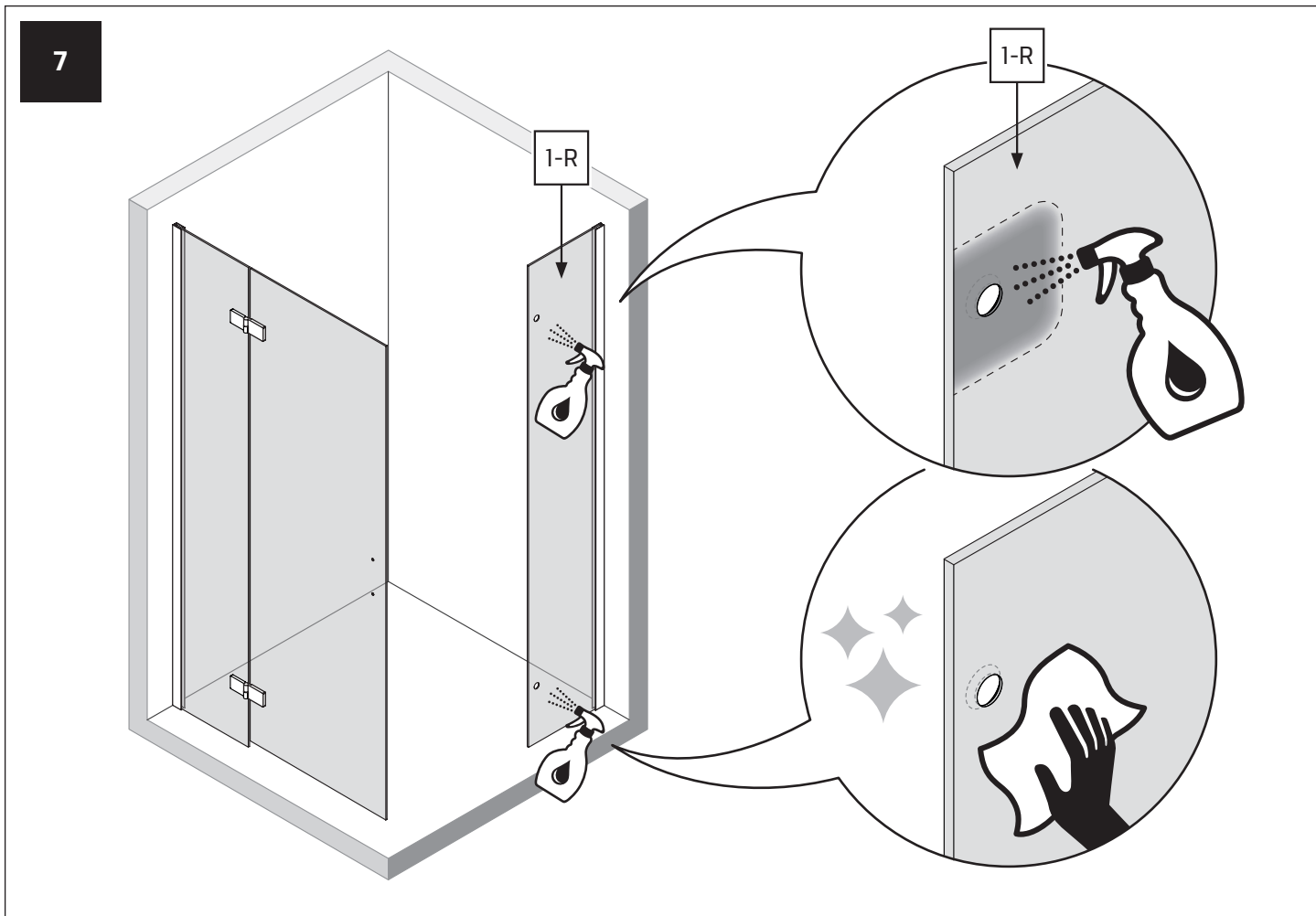
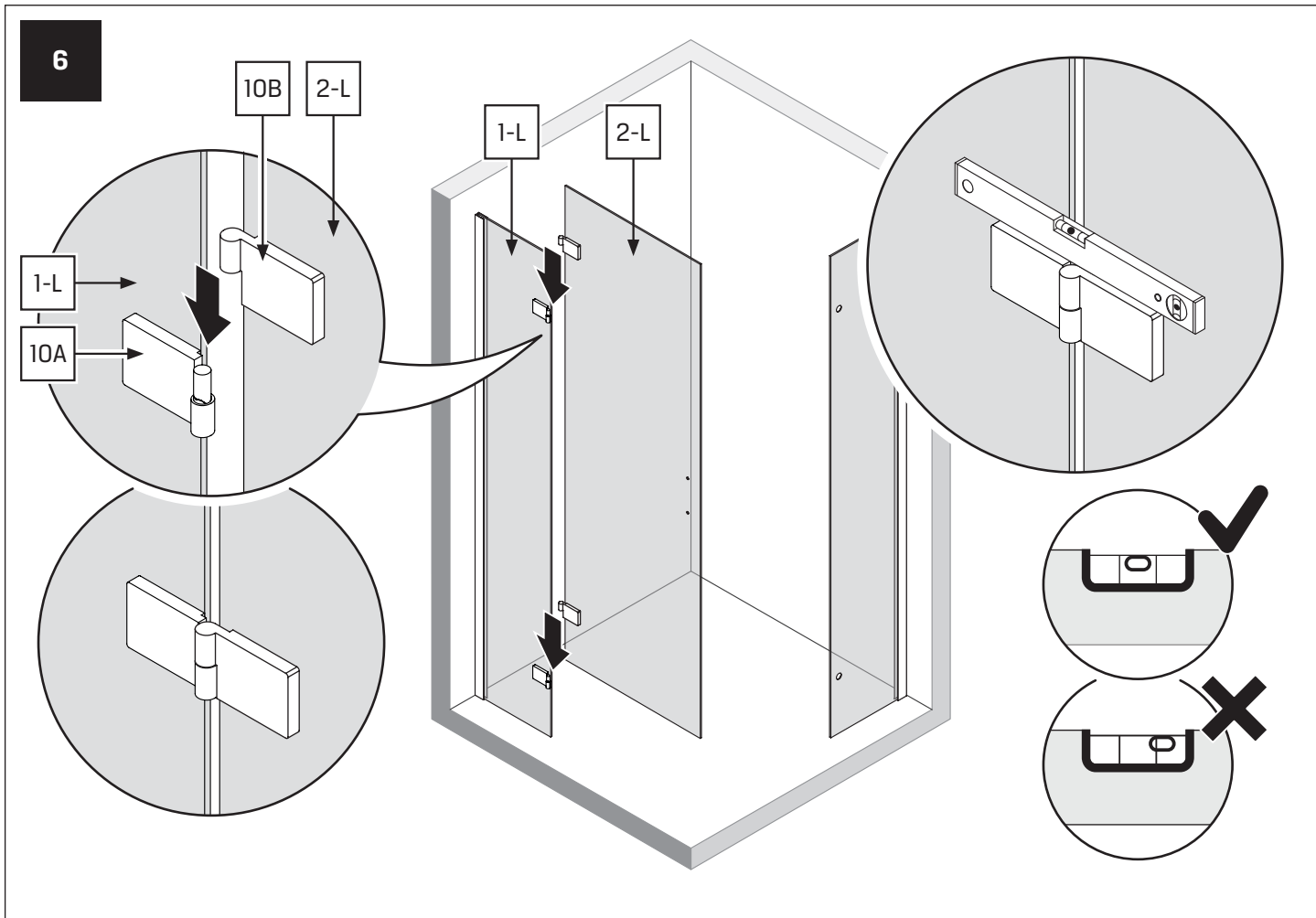


5.1

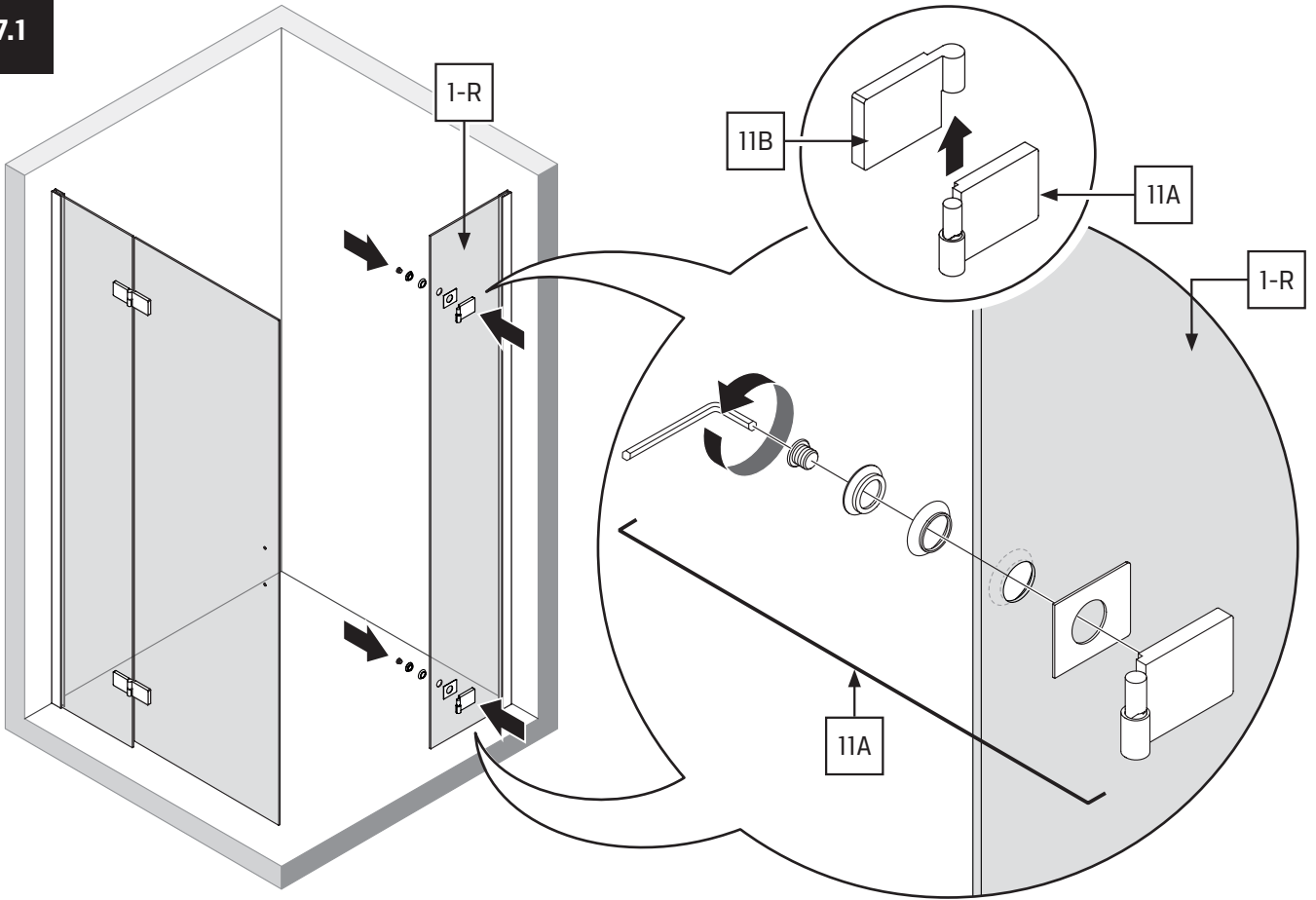


5.2

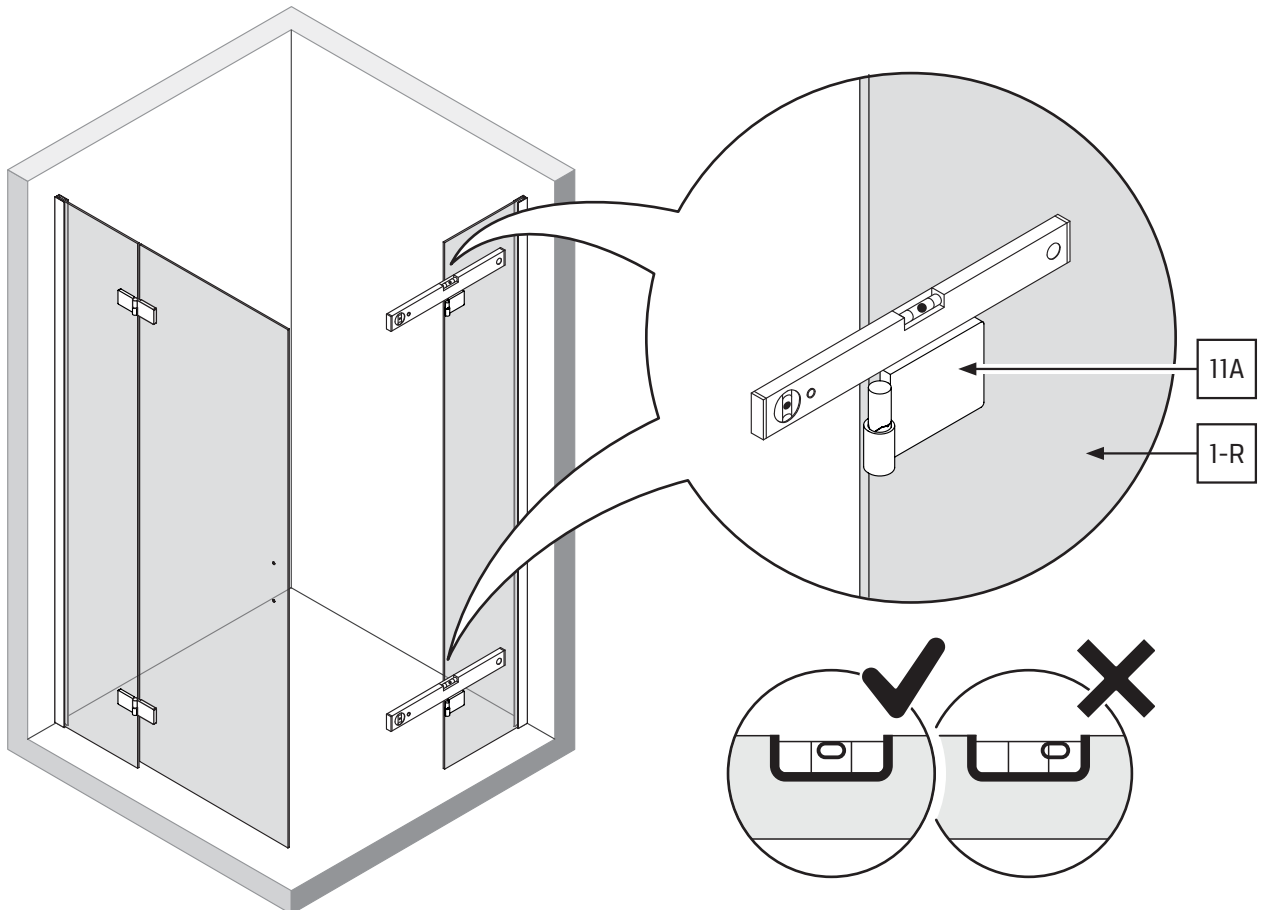




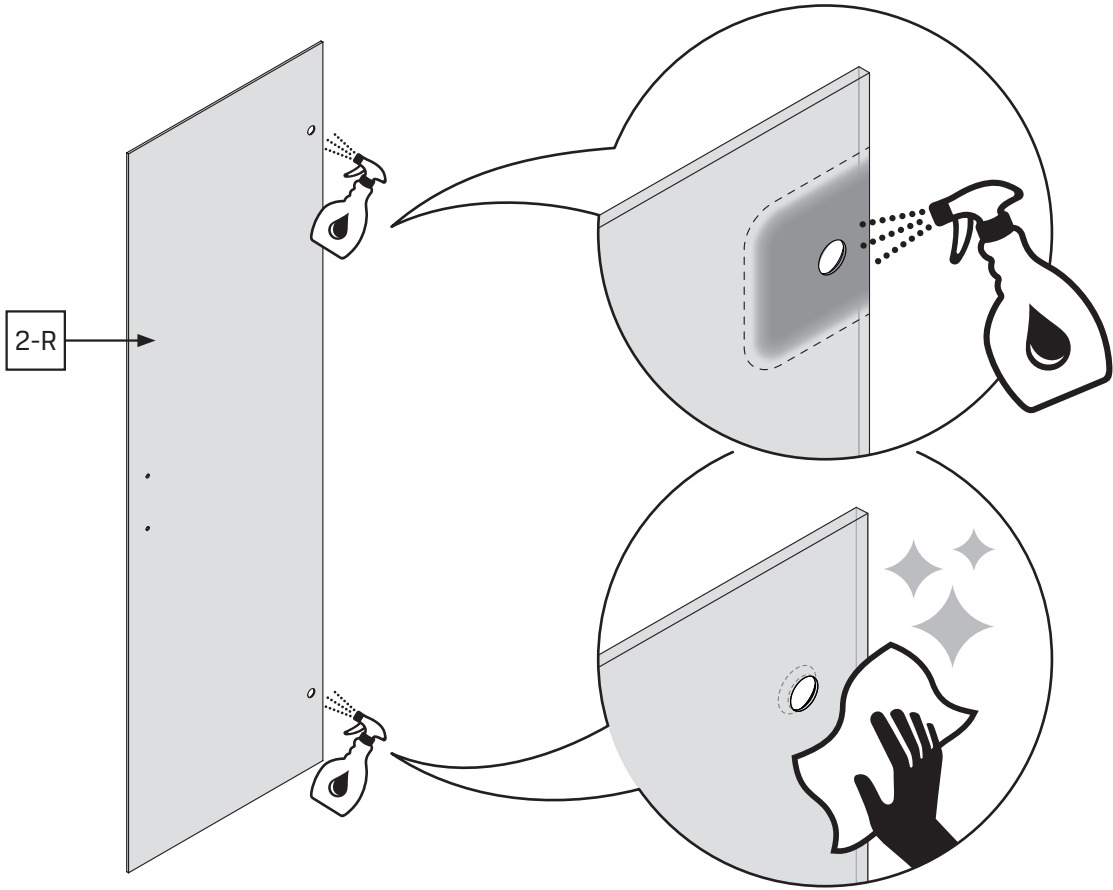
7.1



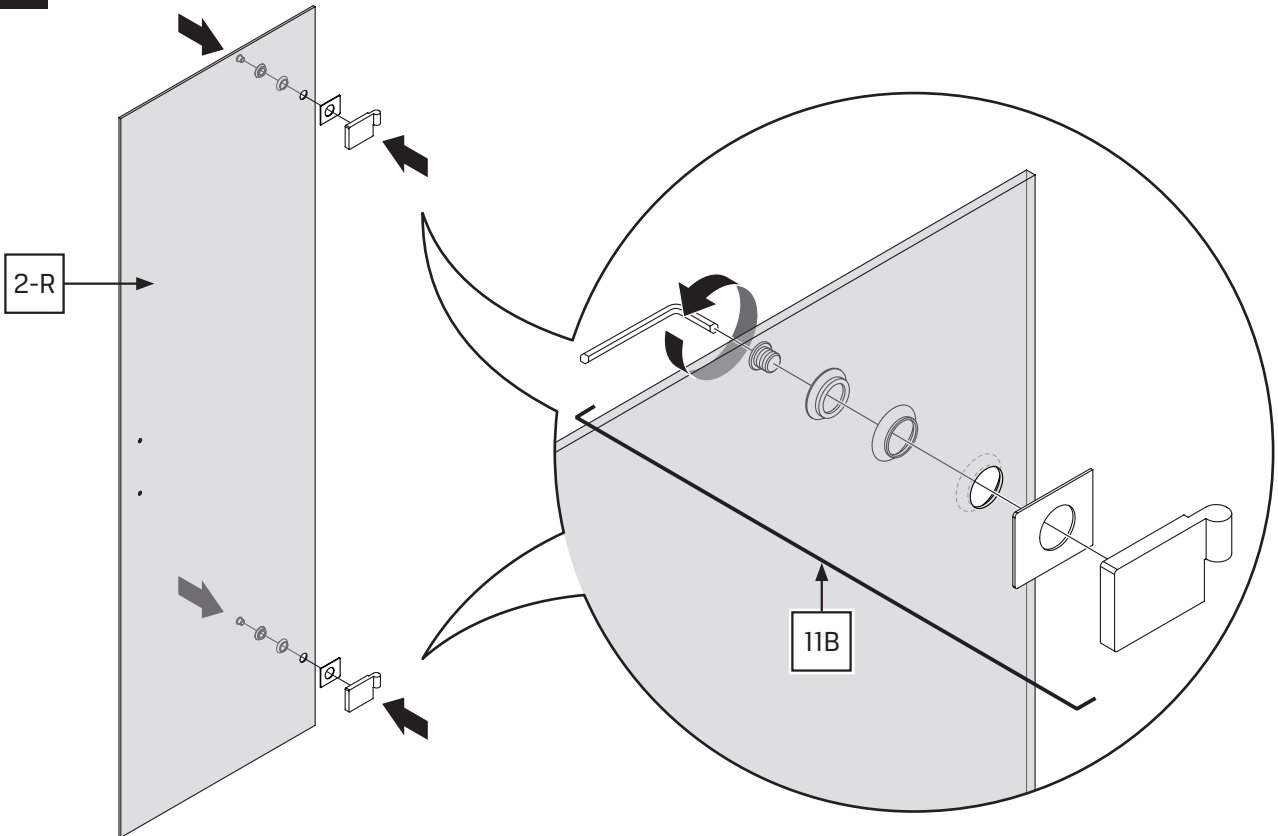
7.2



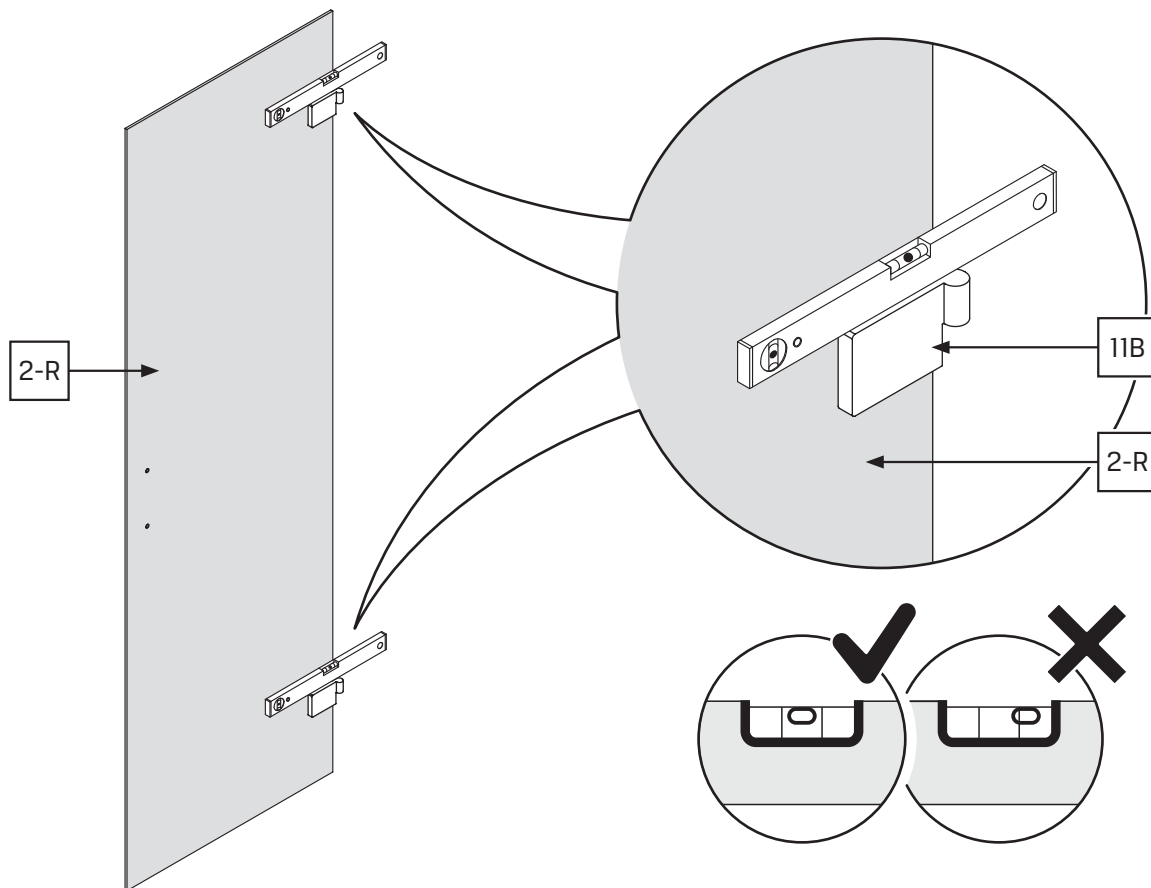
8



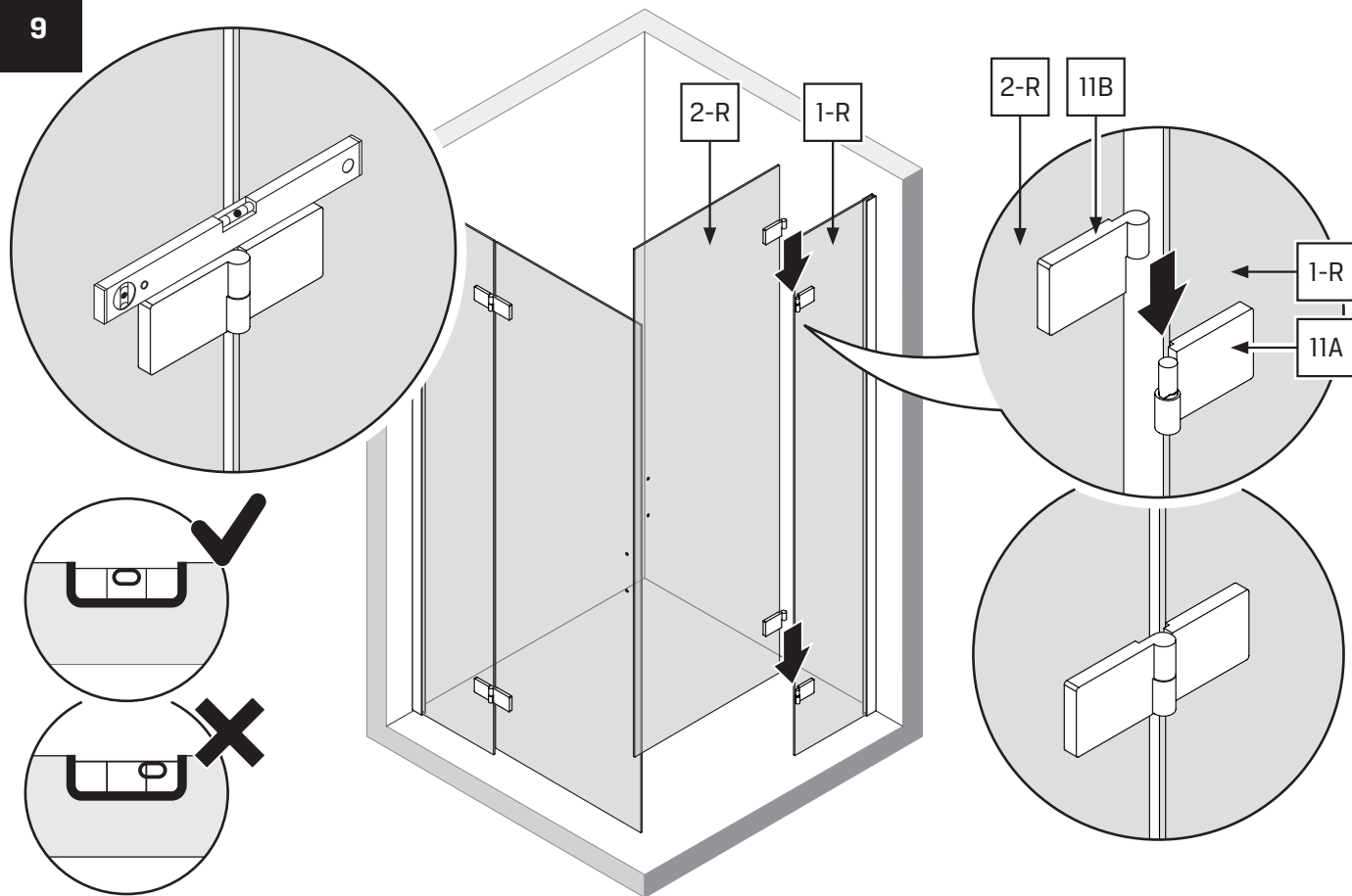
8.1



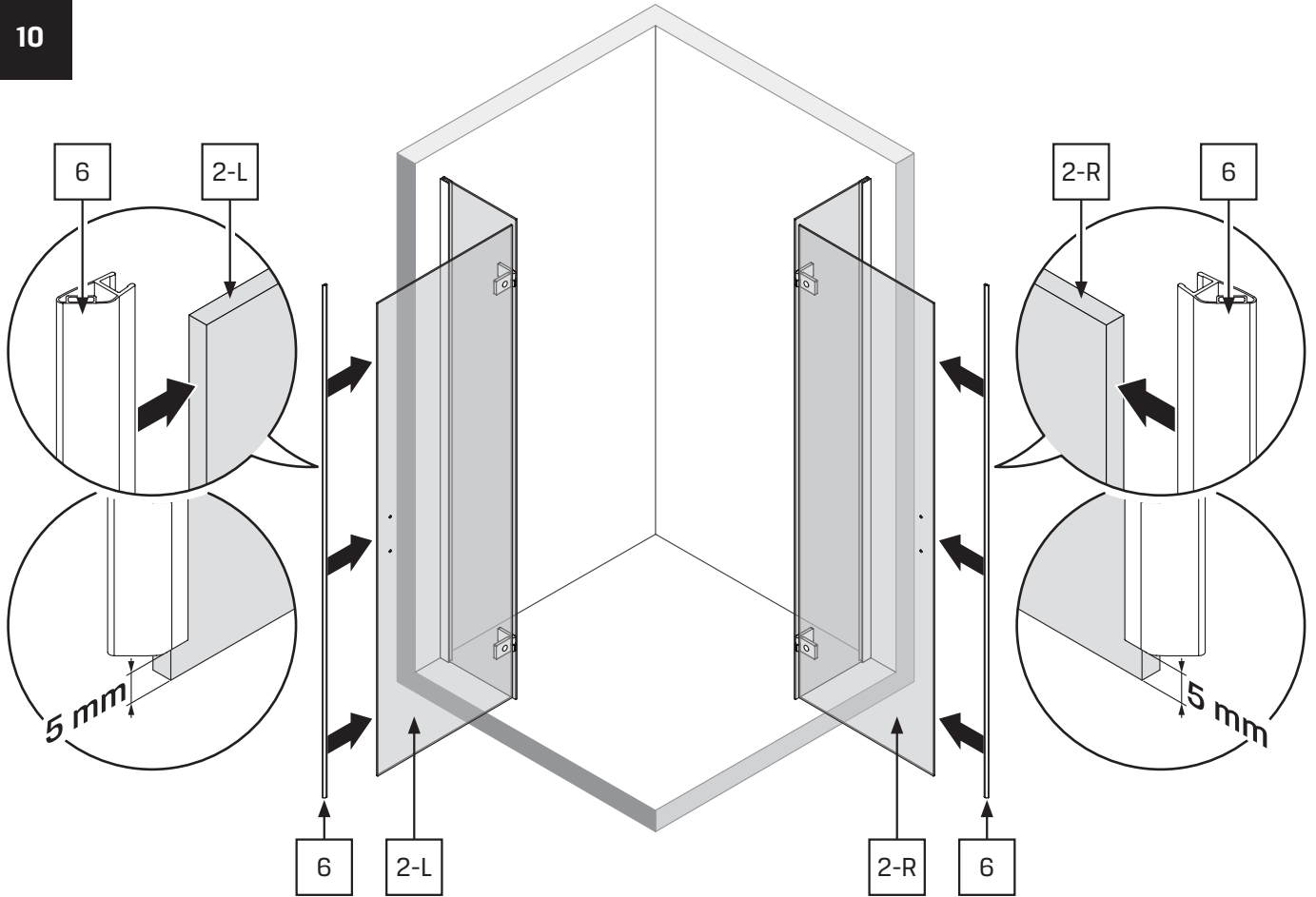
8.2



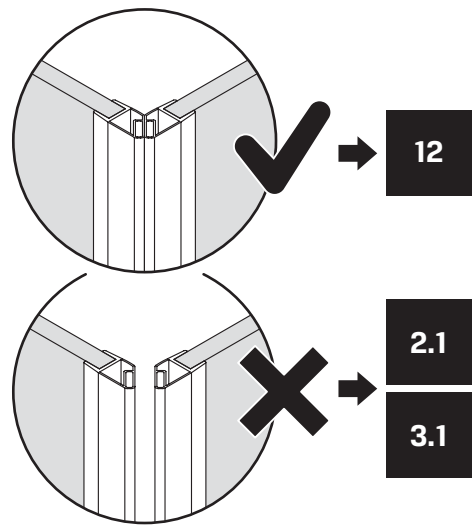
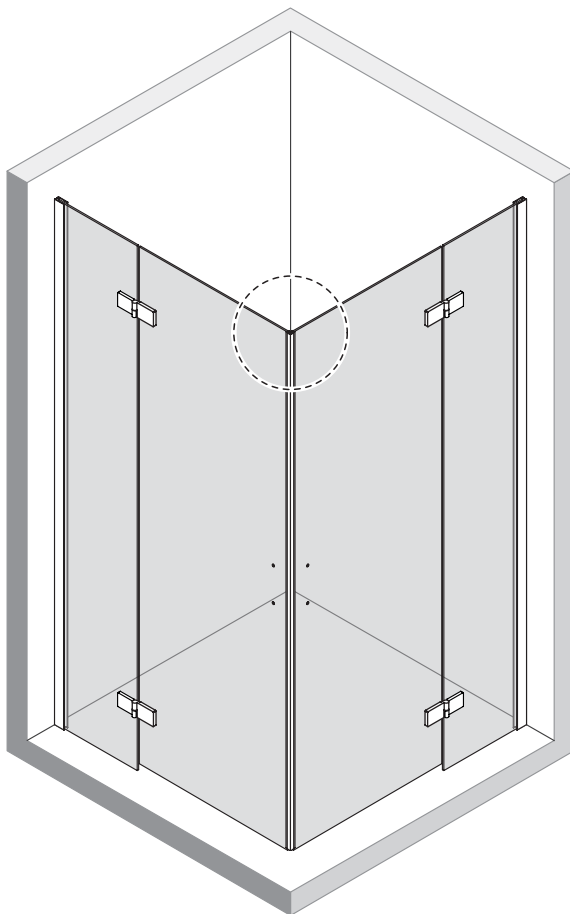
9



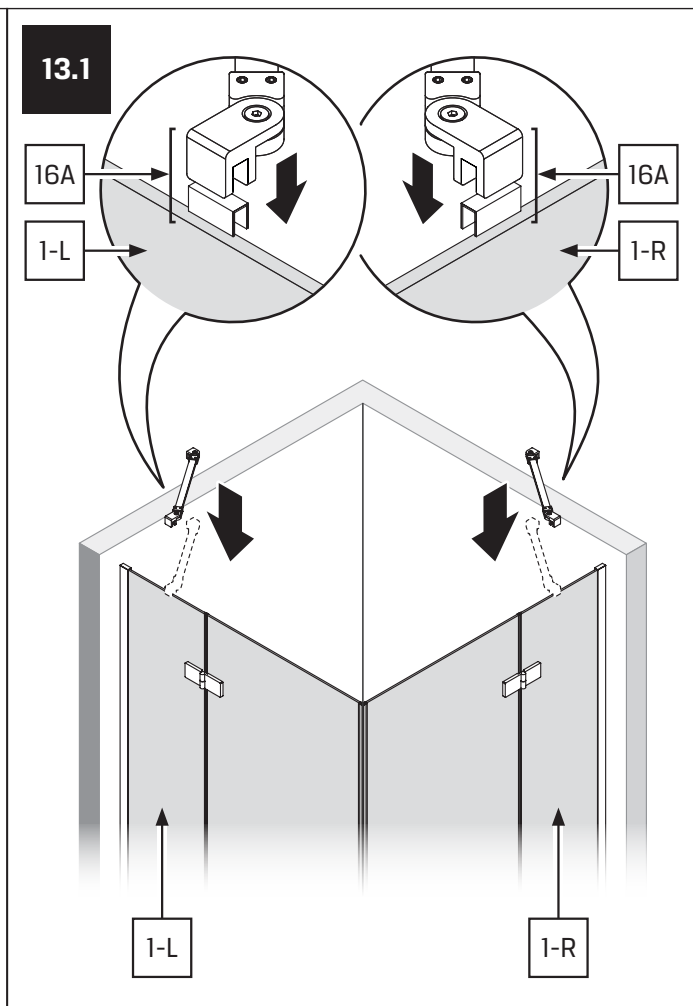
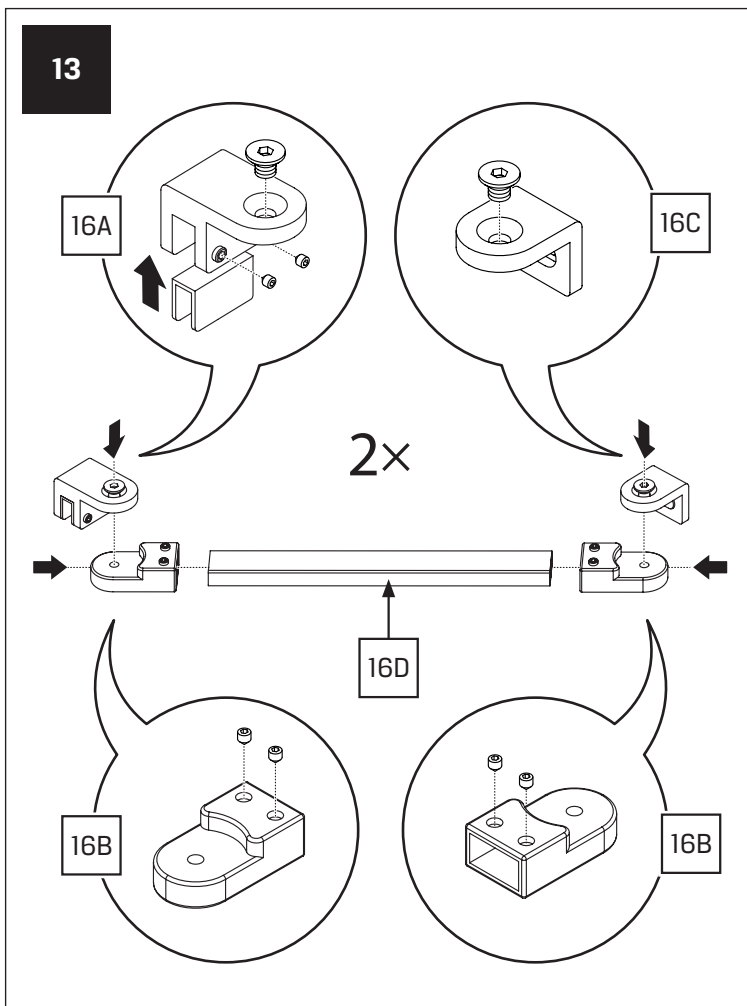
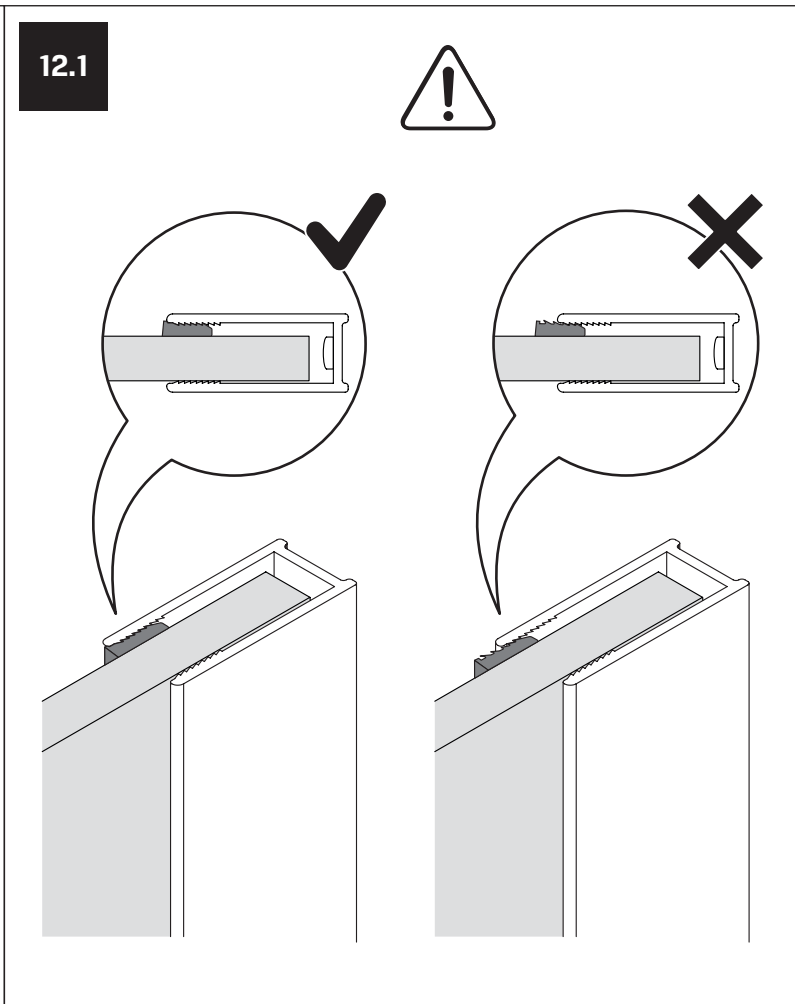
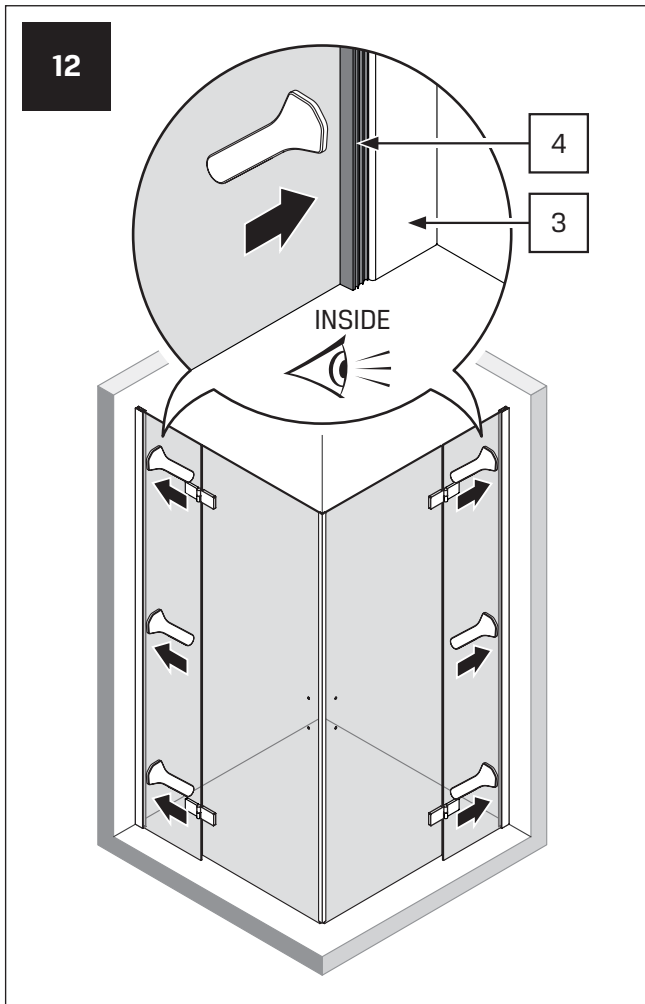
10



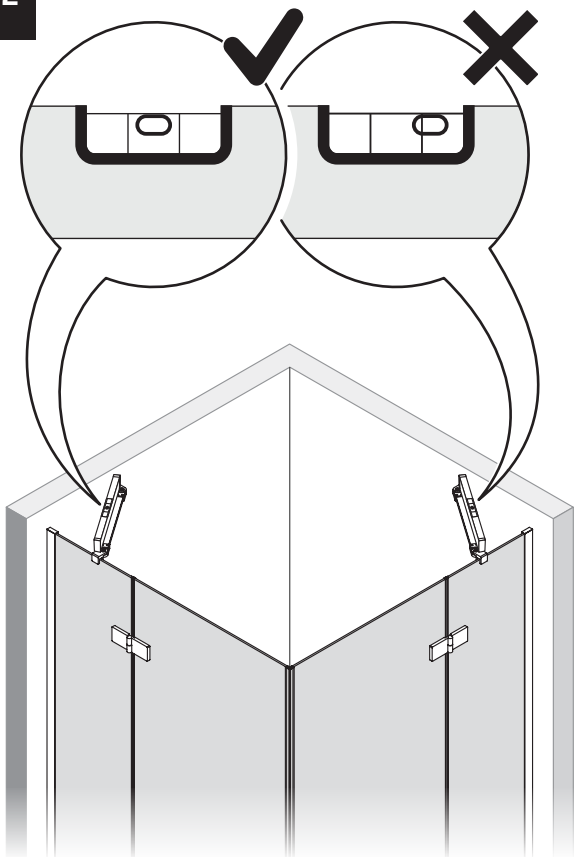
11



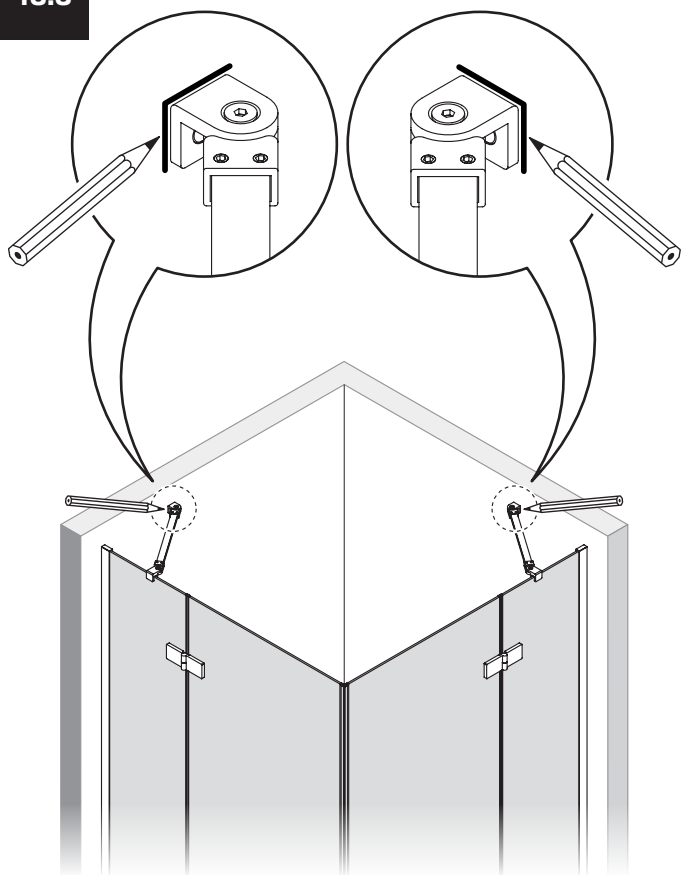




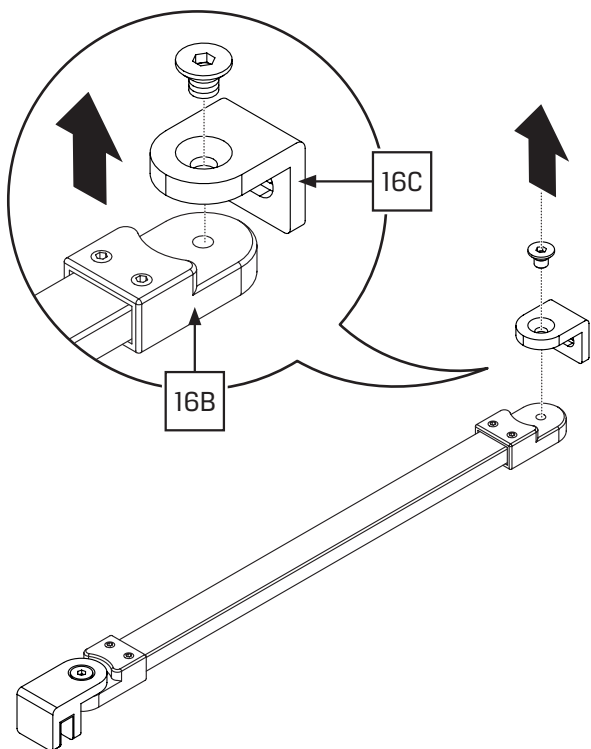
13.2



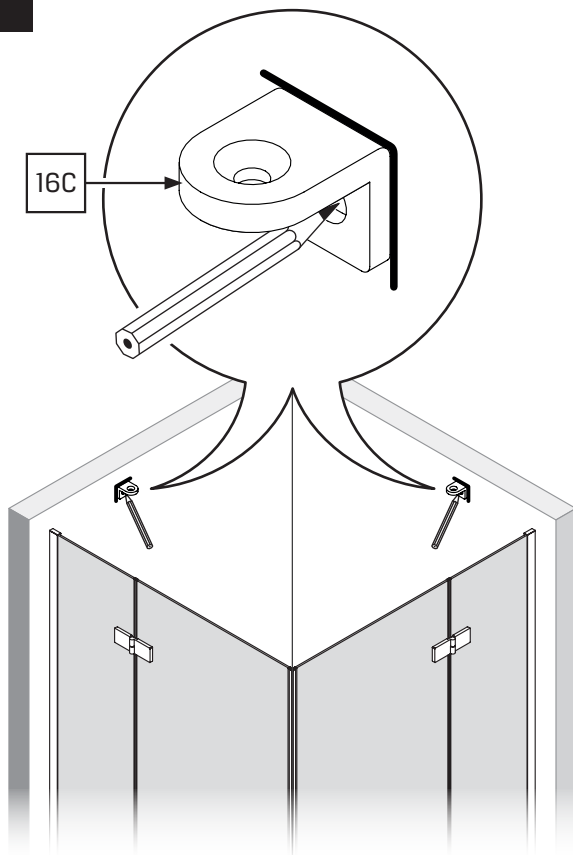
13.3



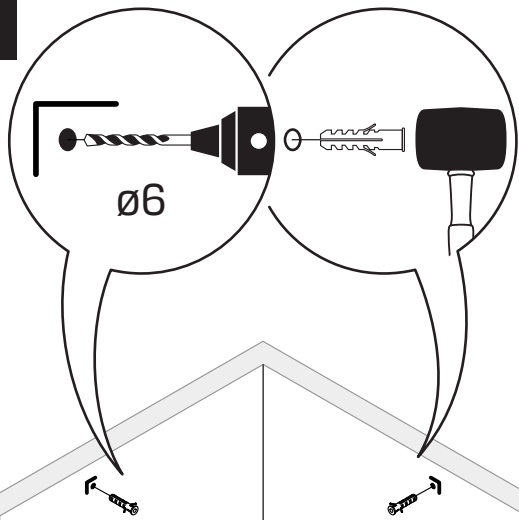
13.4



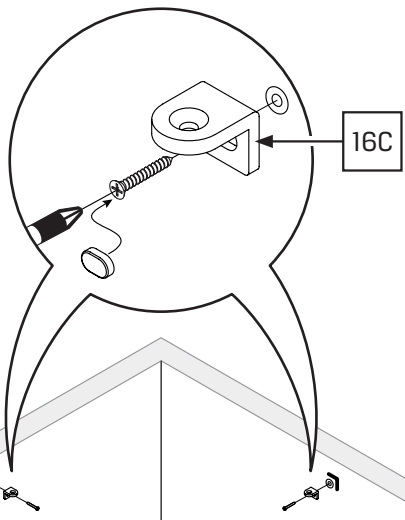
13.5



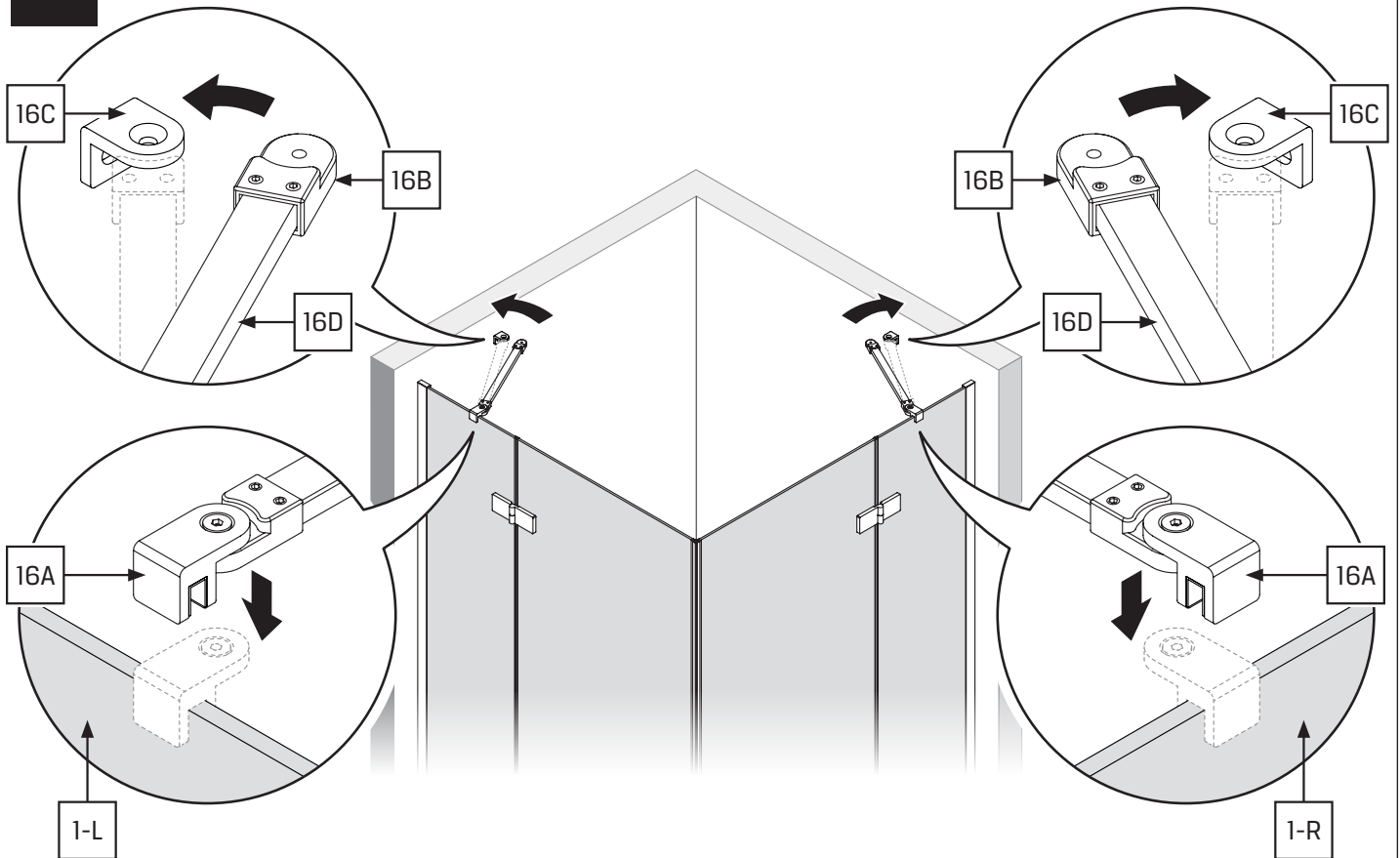
13.6



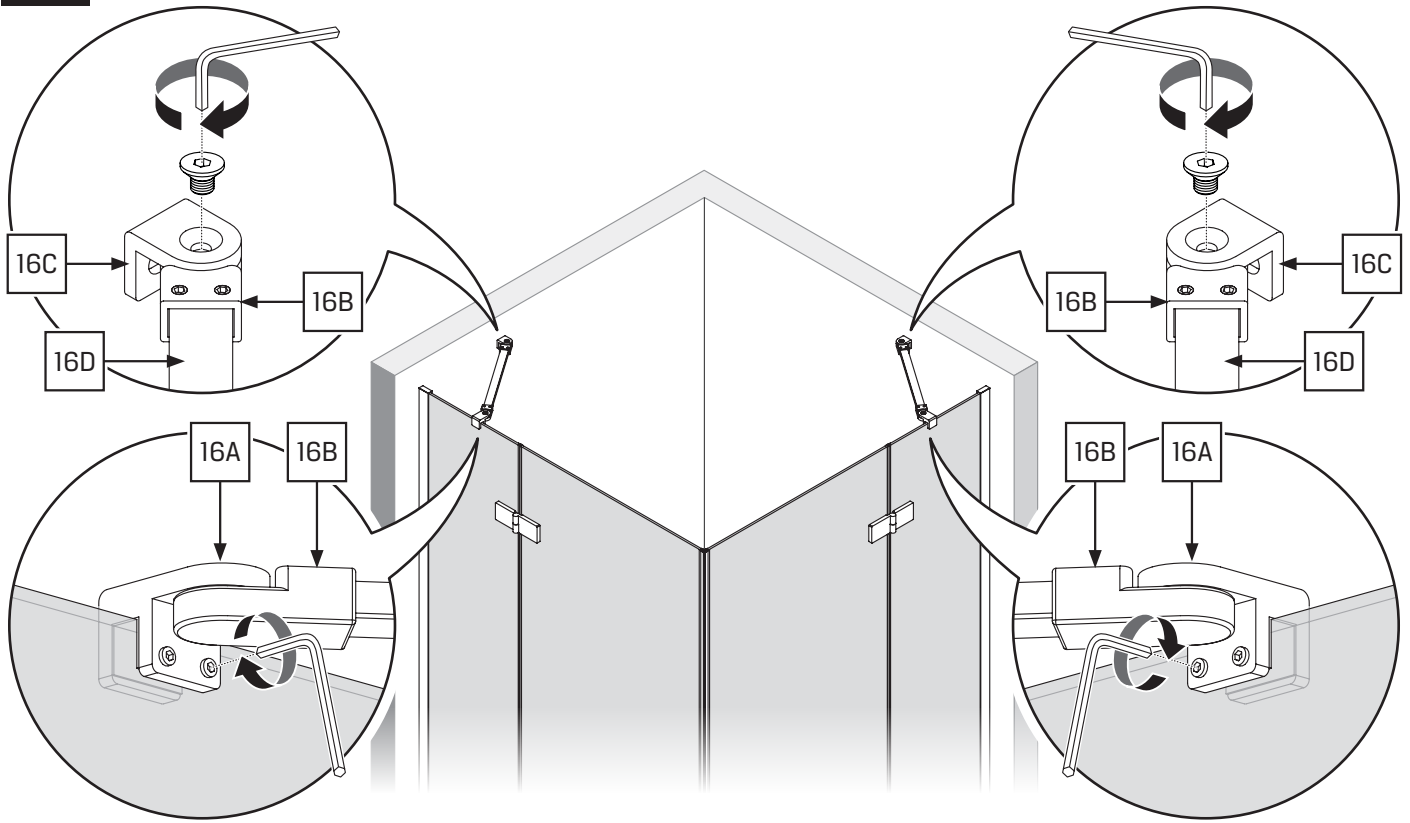
13.7



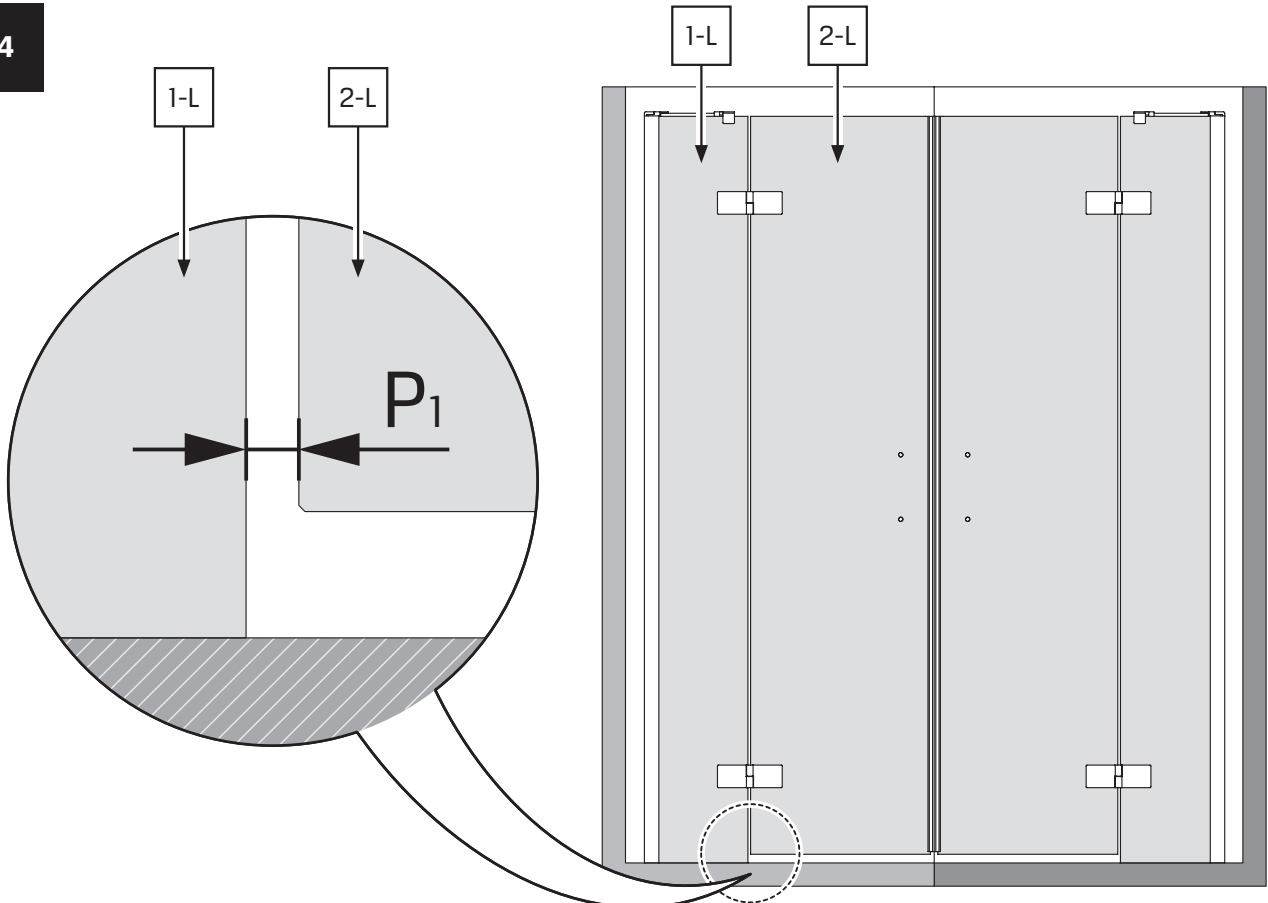
13.8



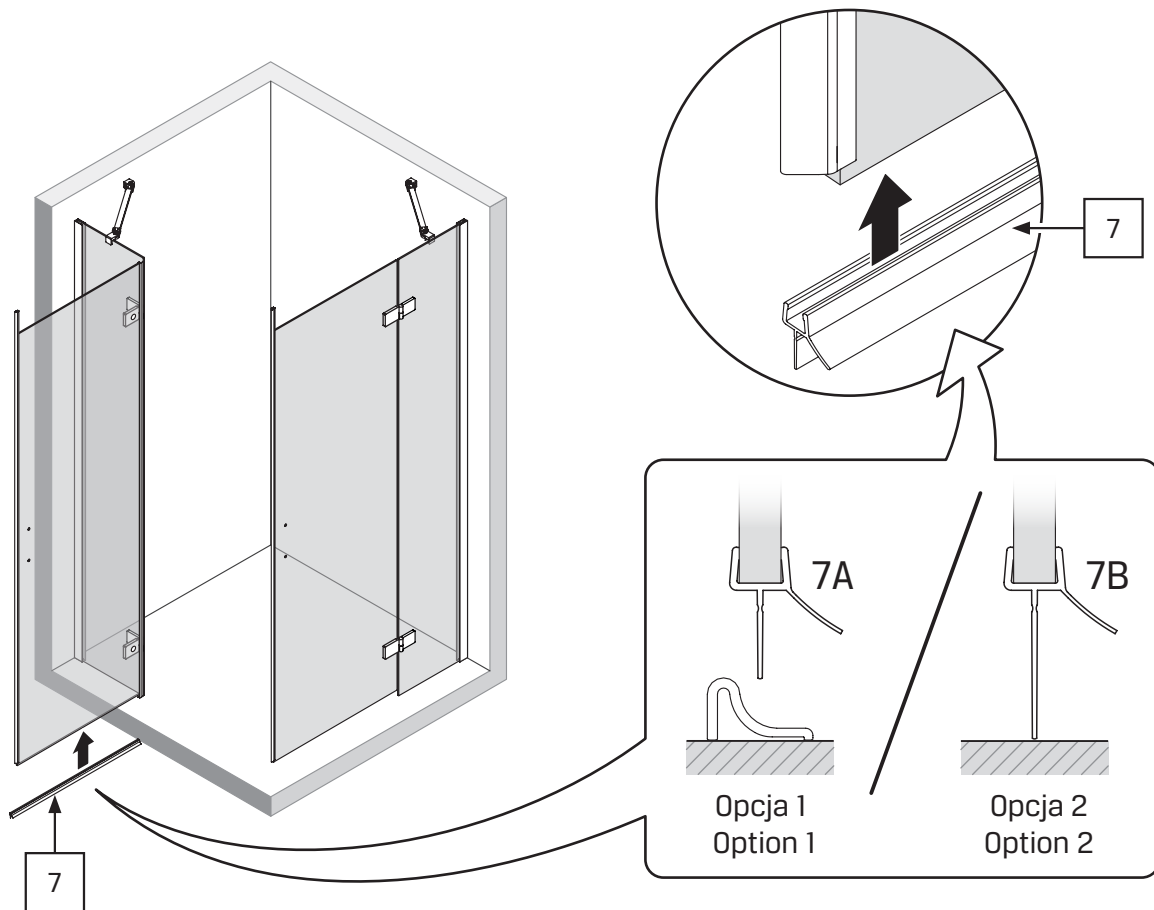
13.9



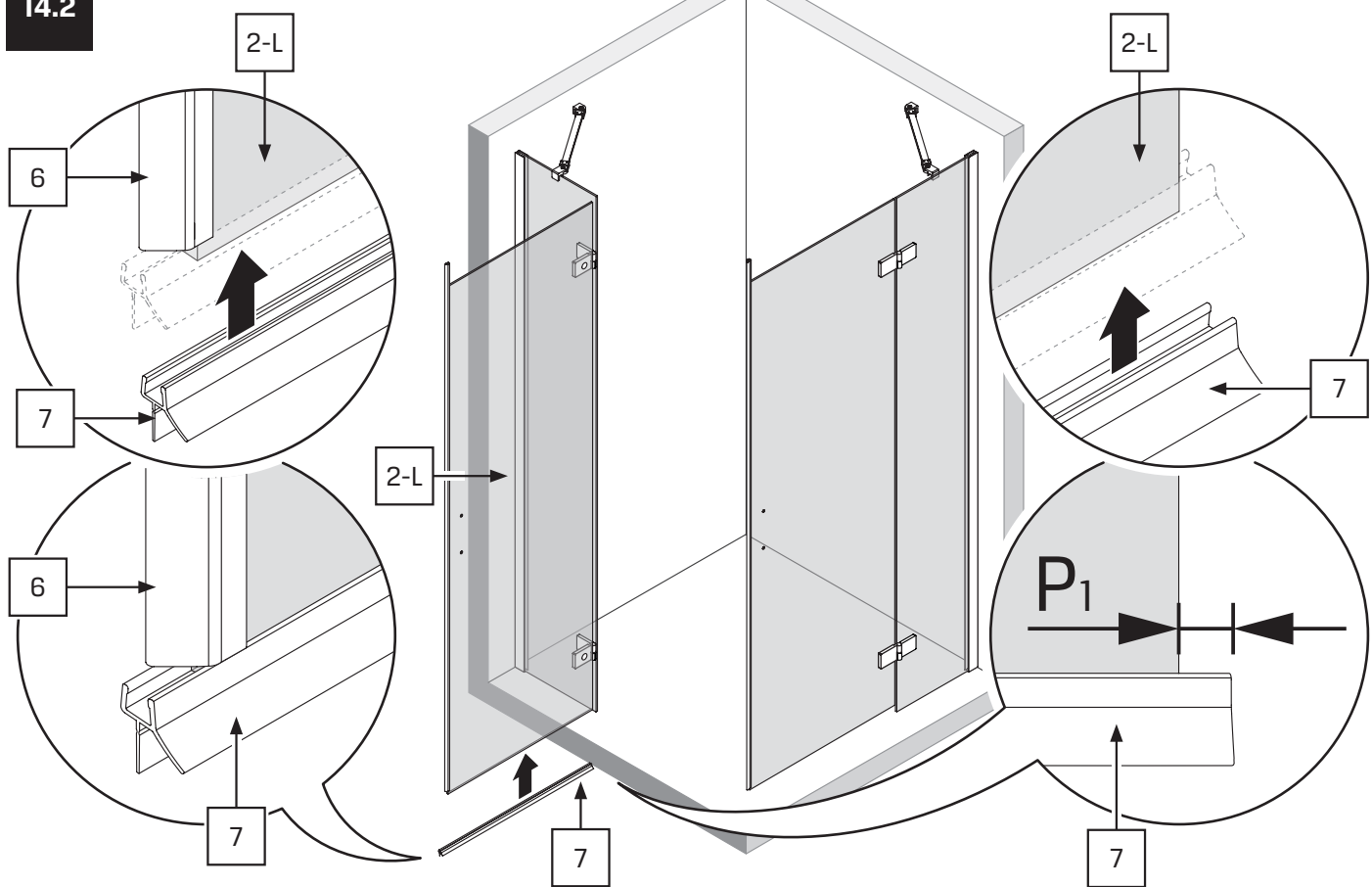
14



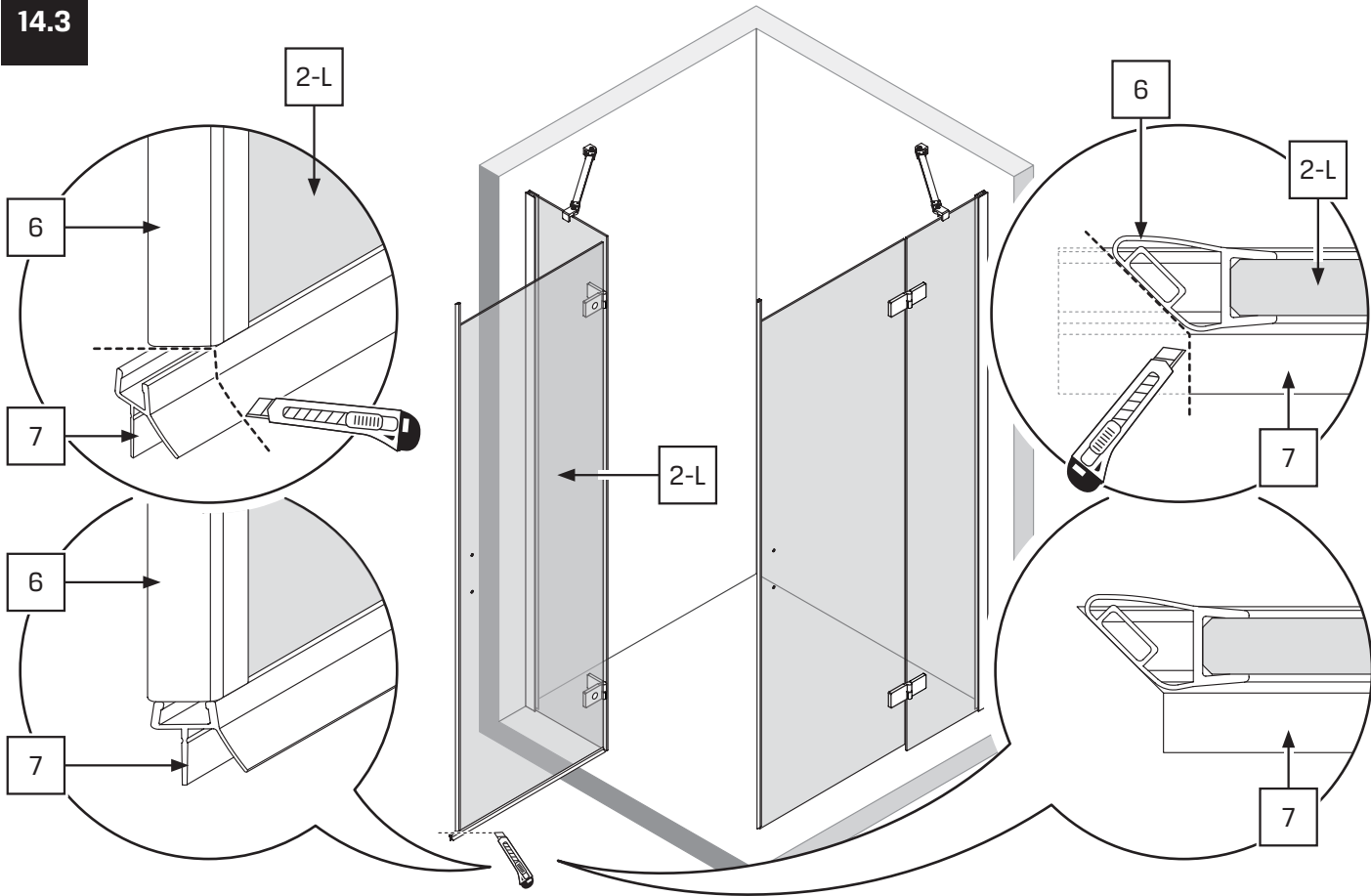
14.1



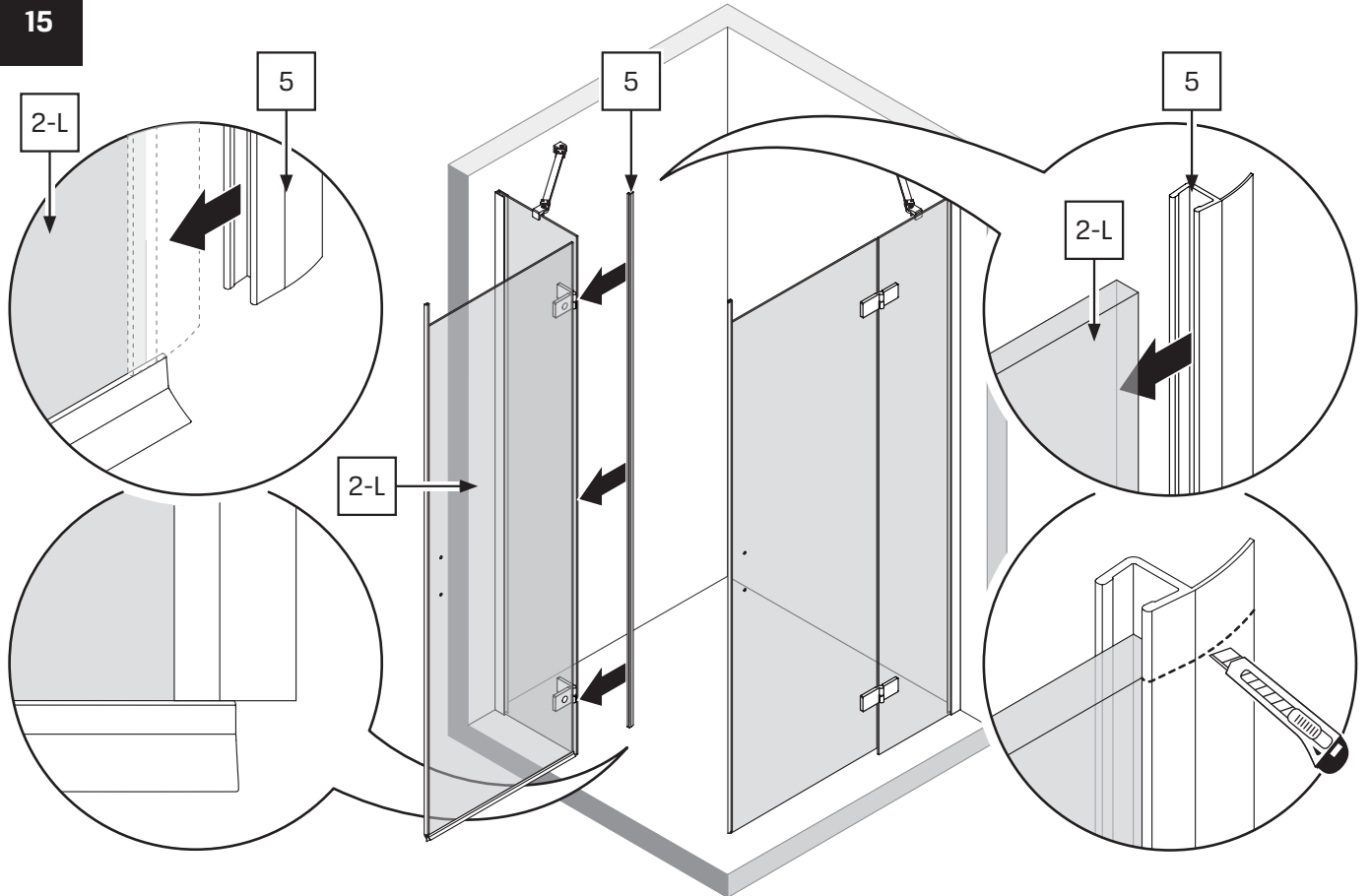
14.2



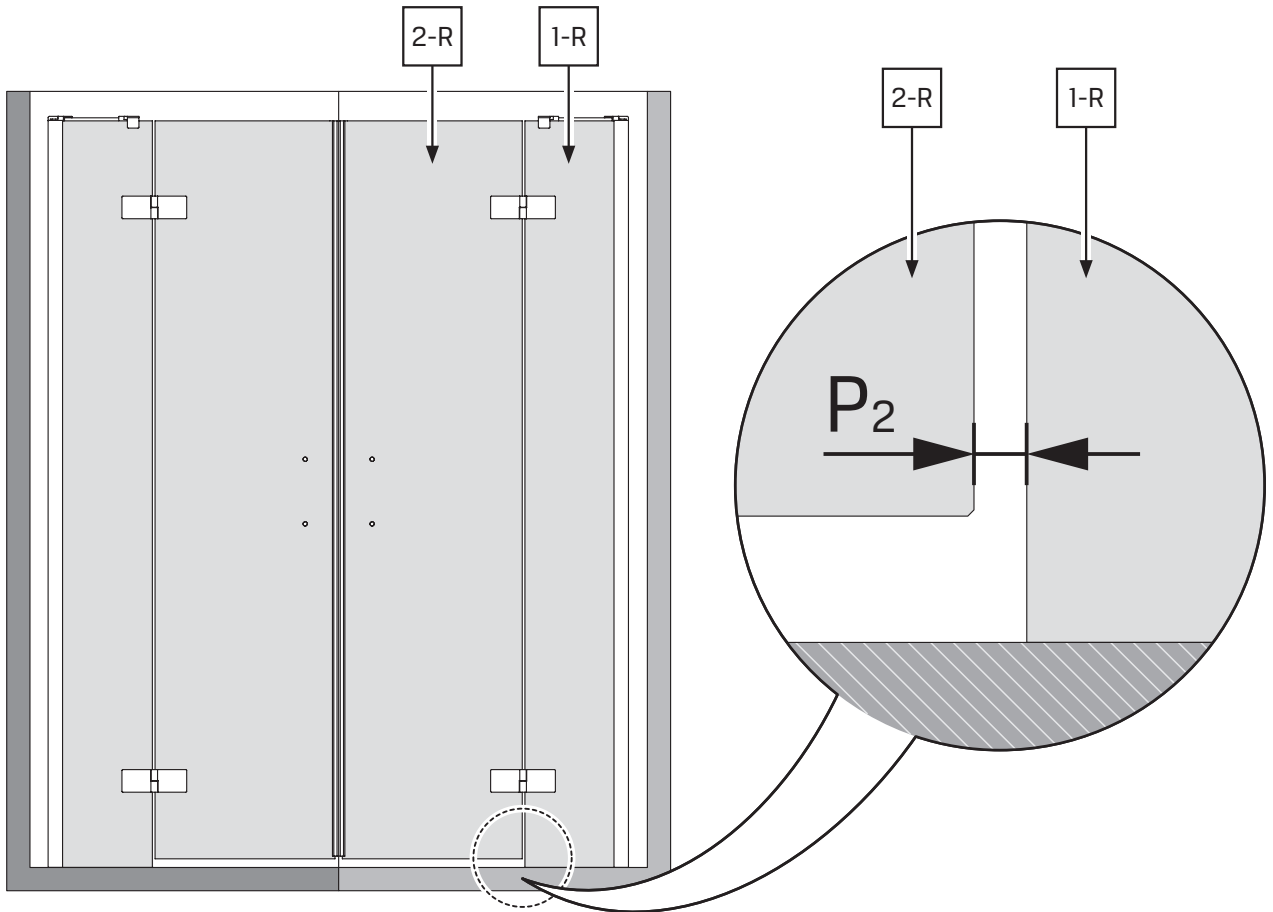
14.3



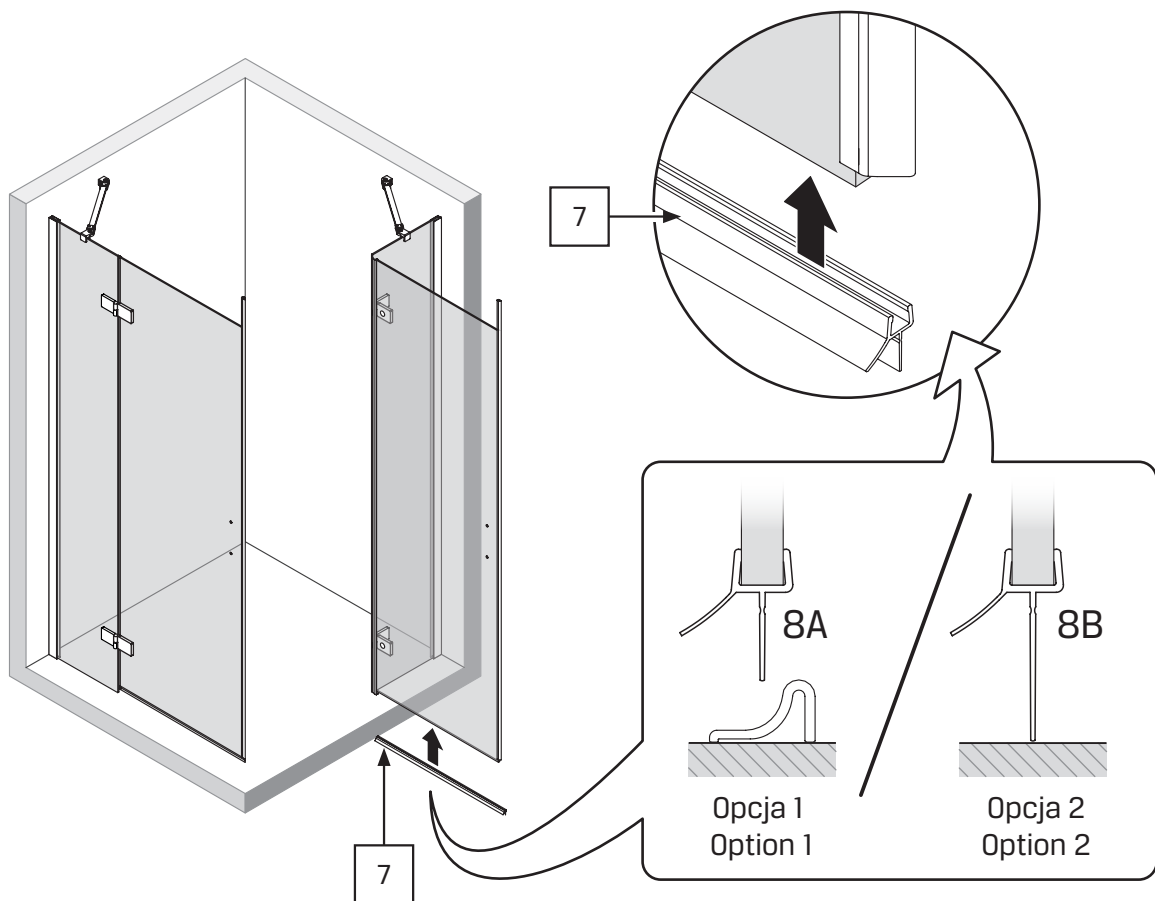
15



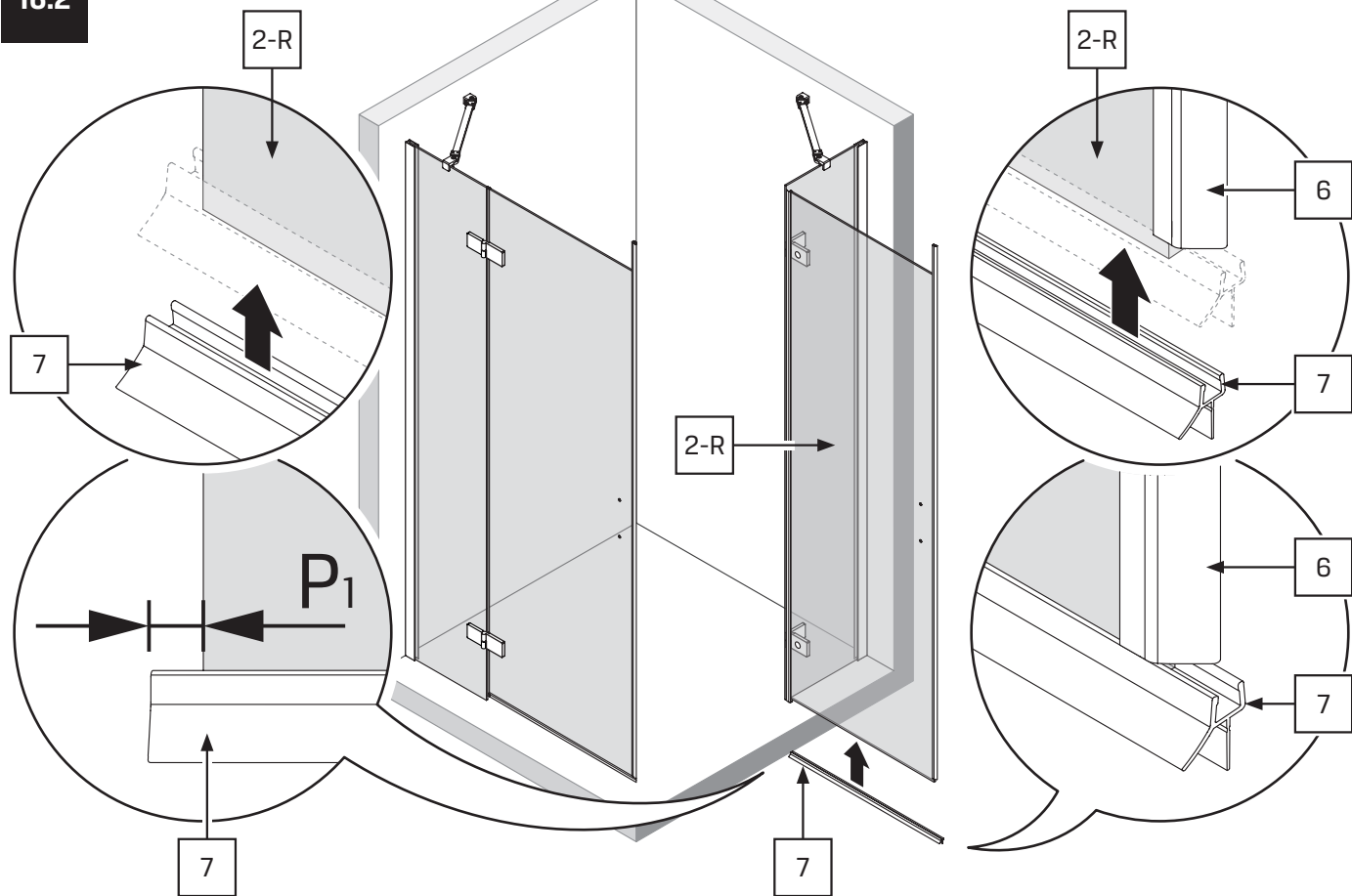
16



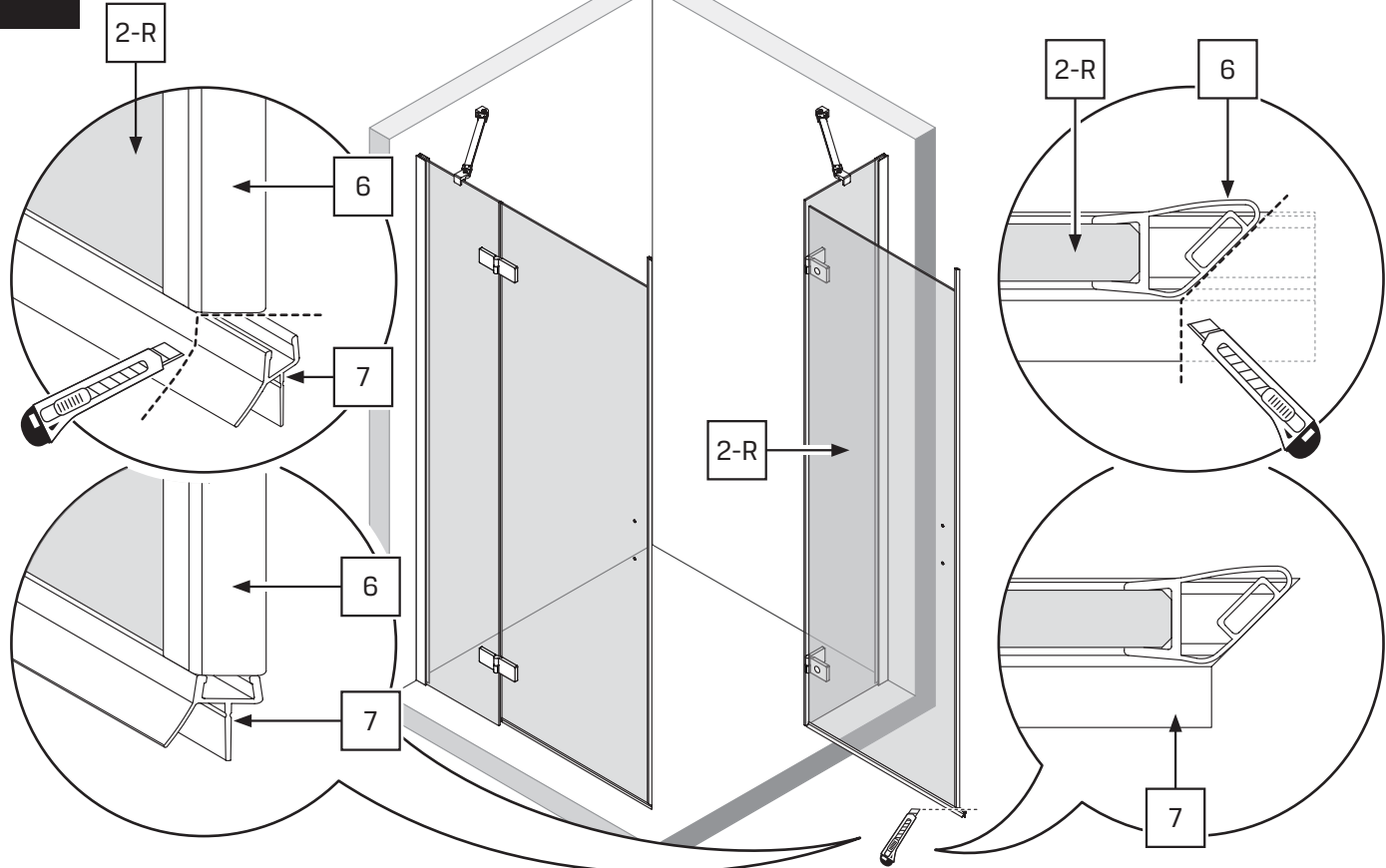
16.1



16.2

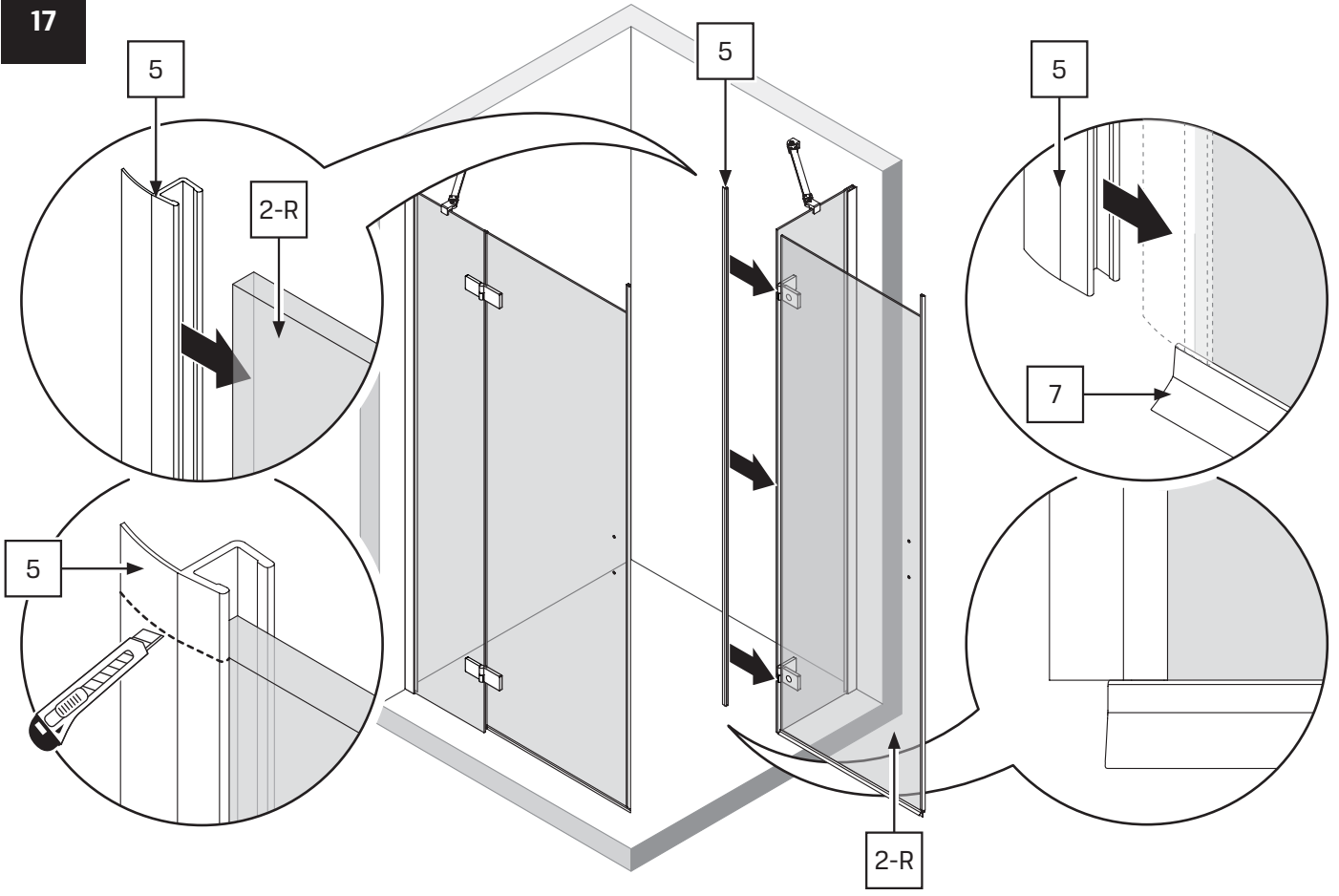


16.3

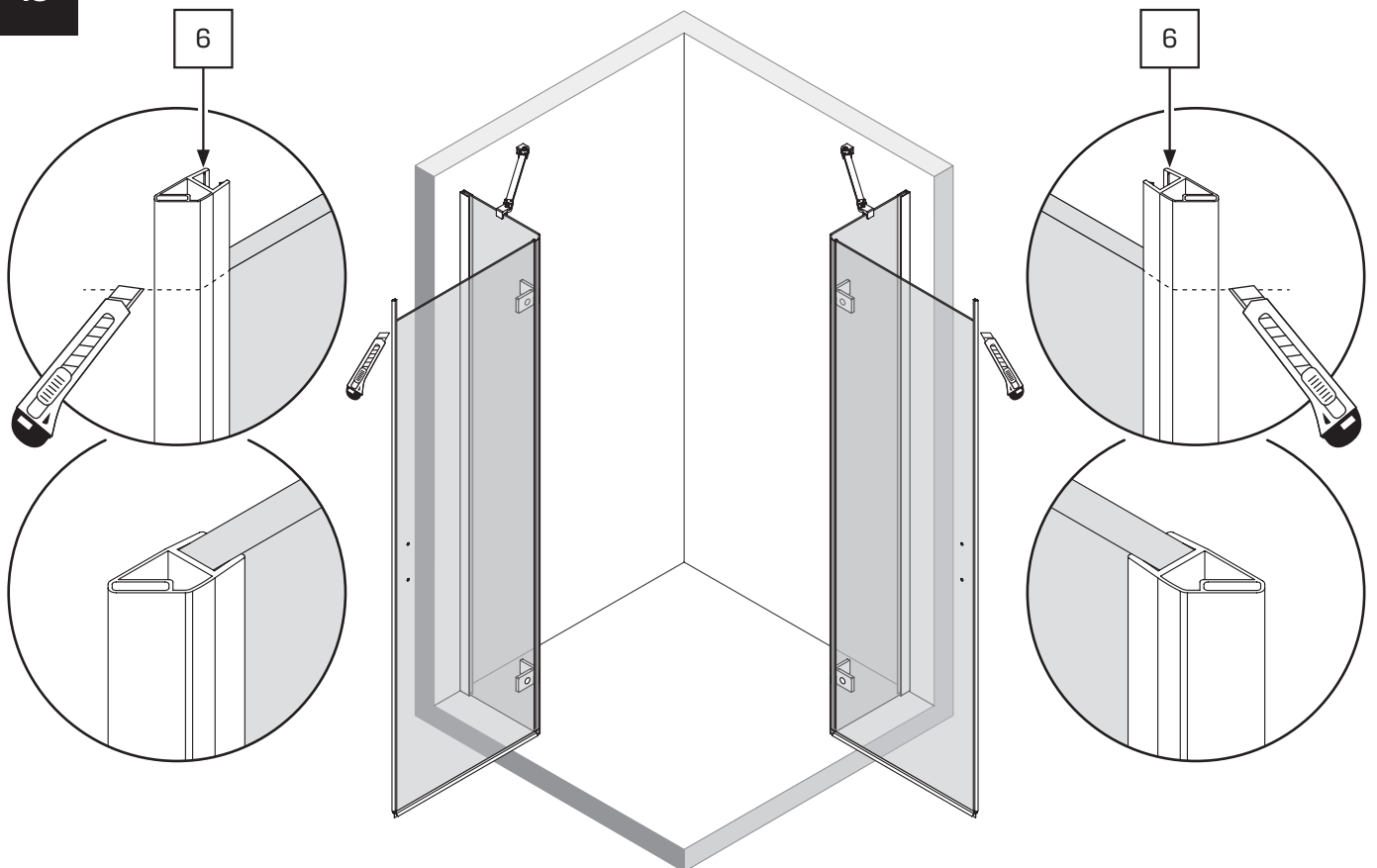




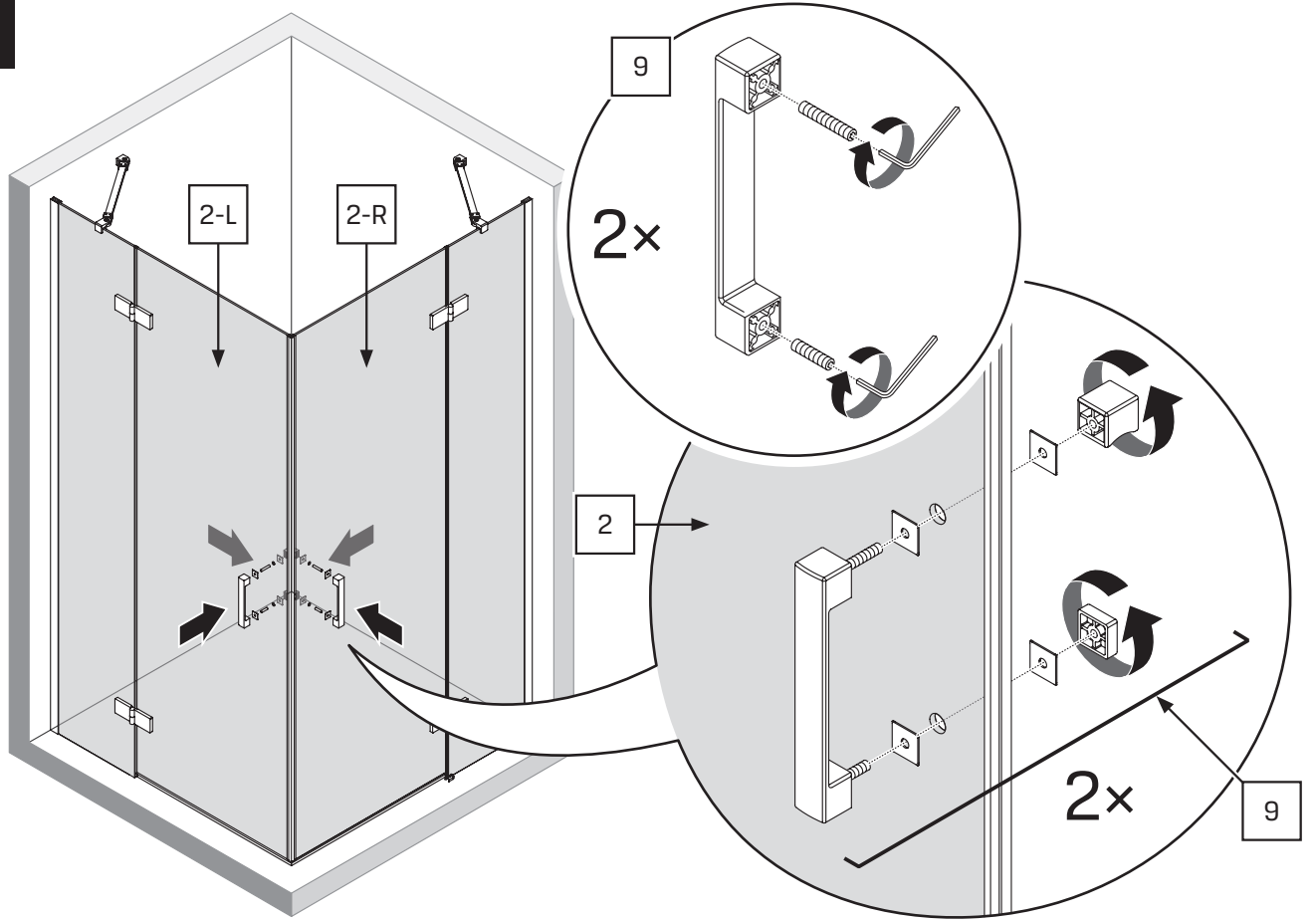
17



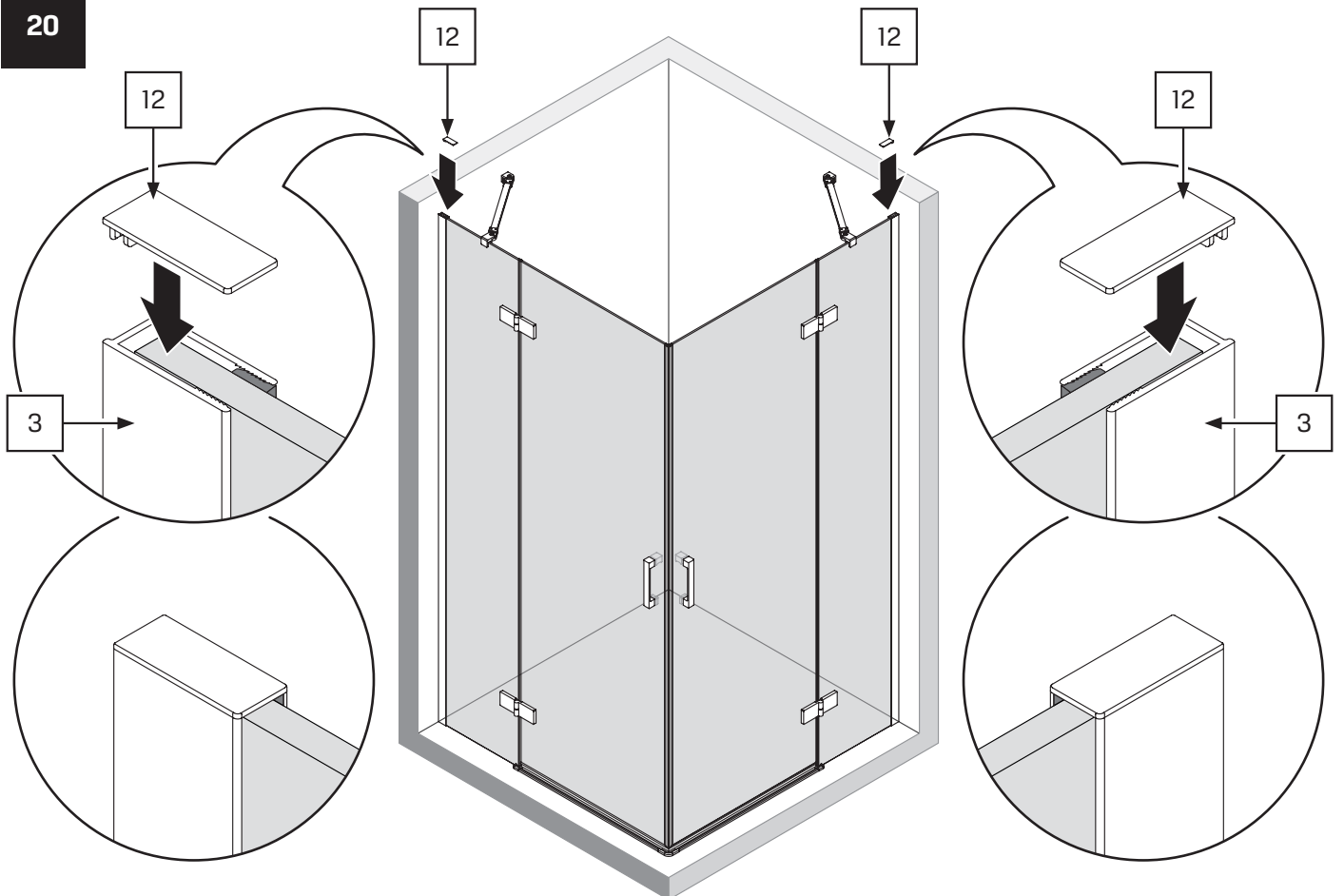
18



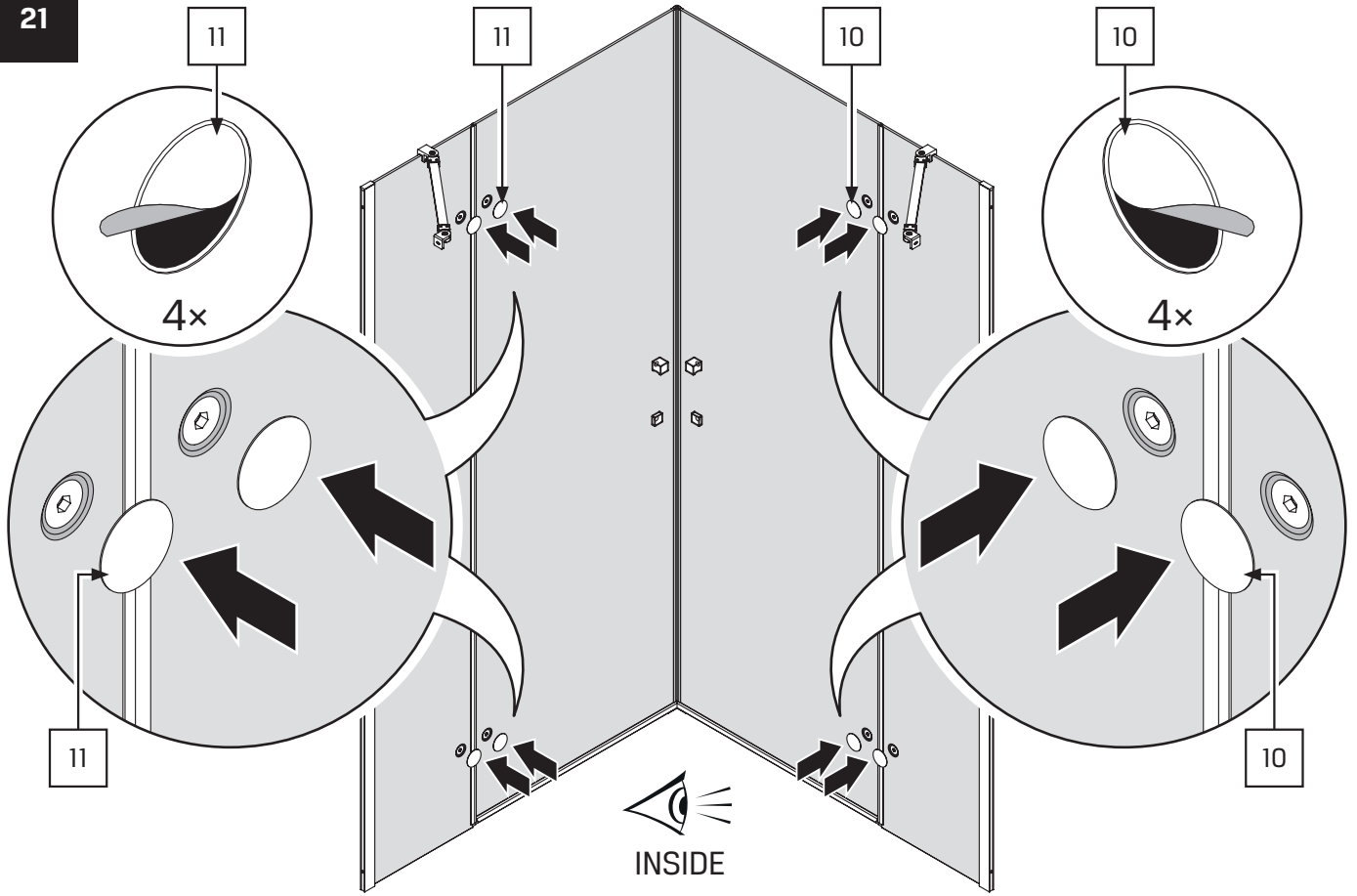
19



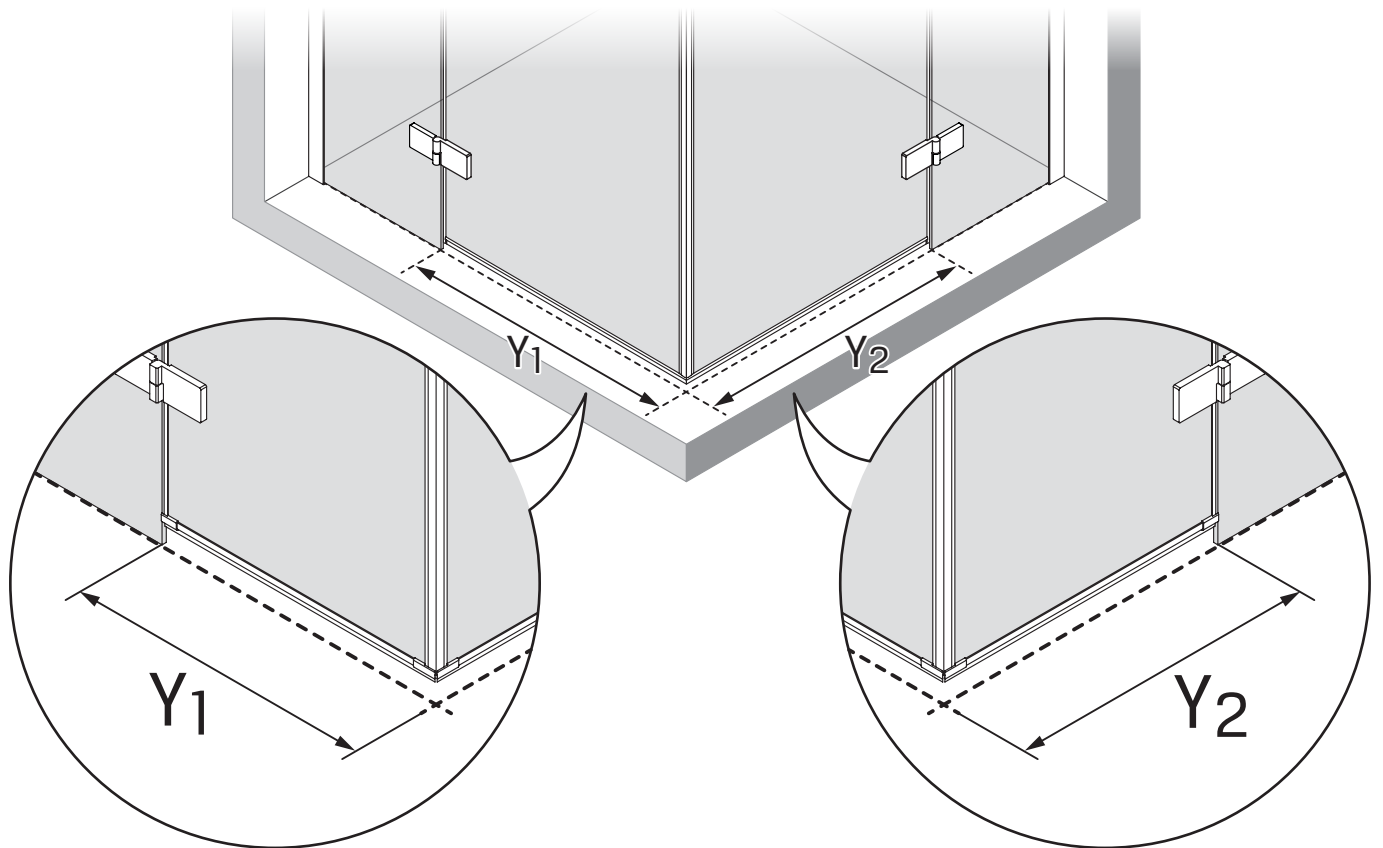
20

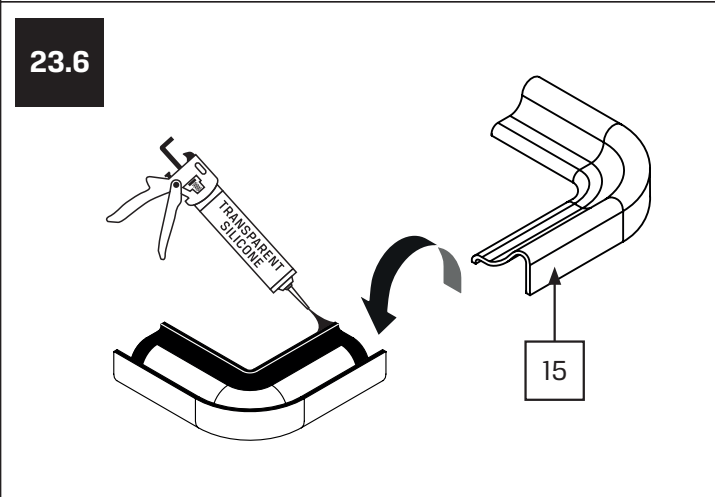
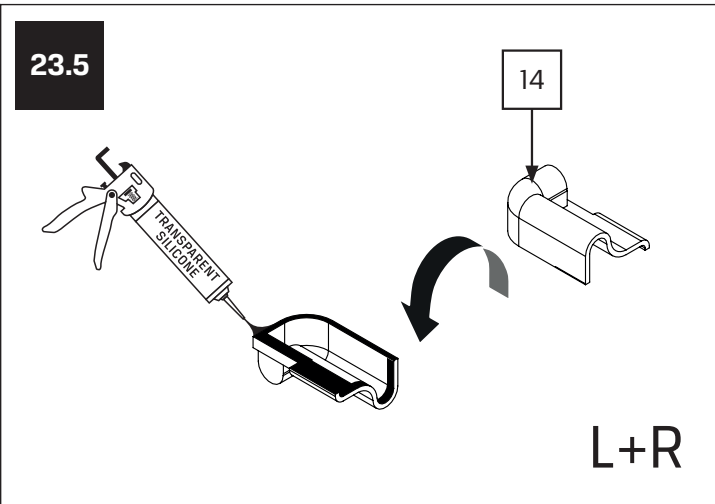
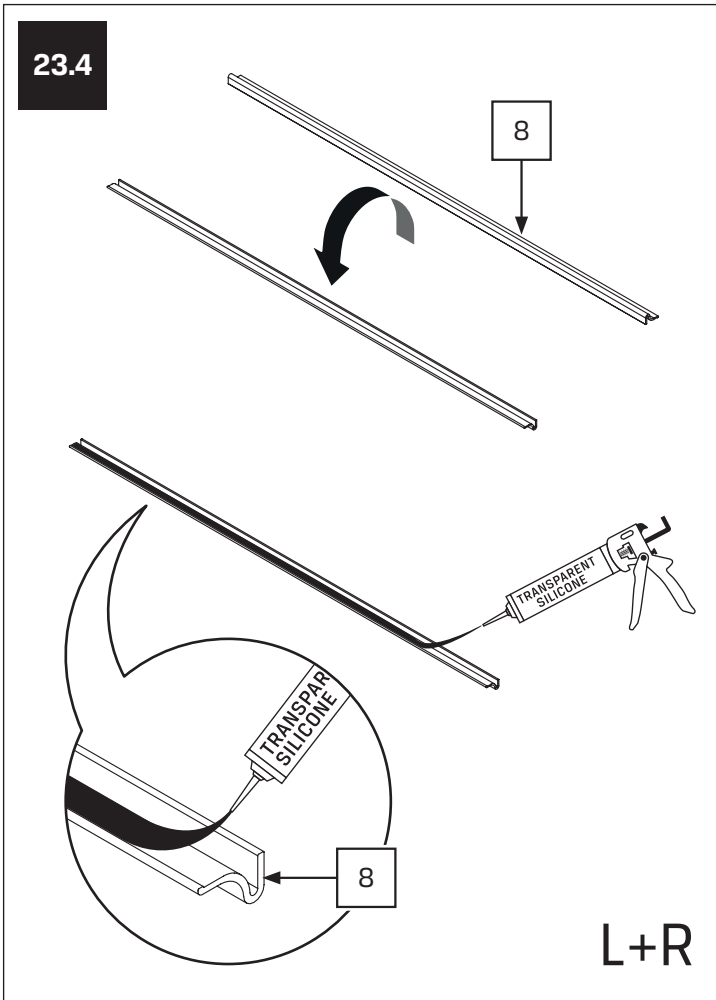
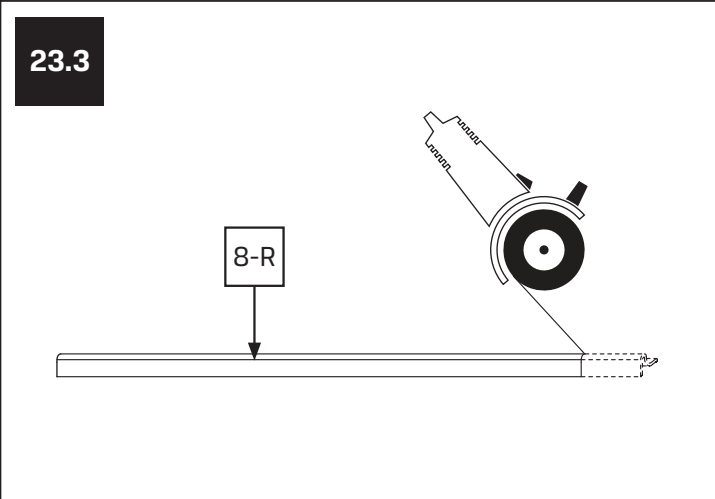
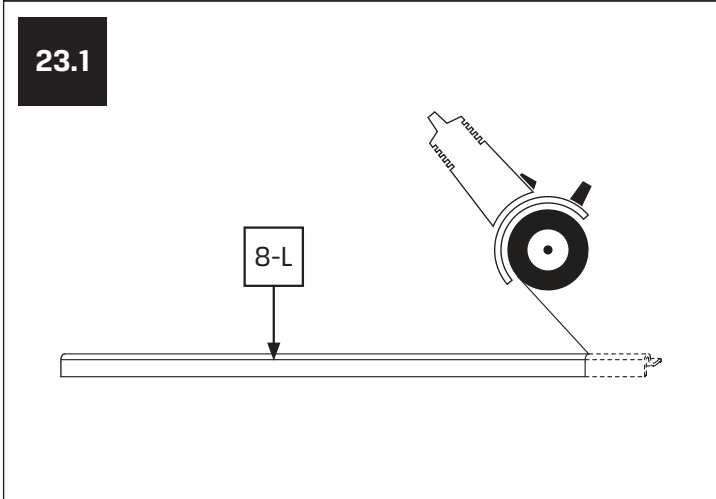
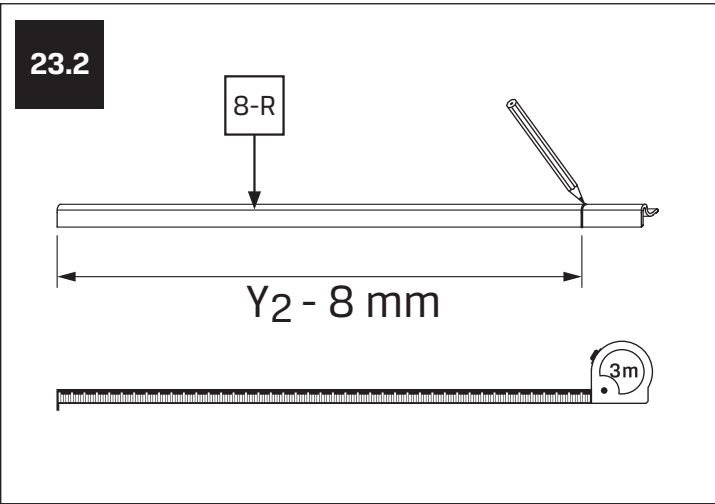
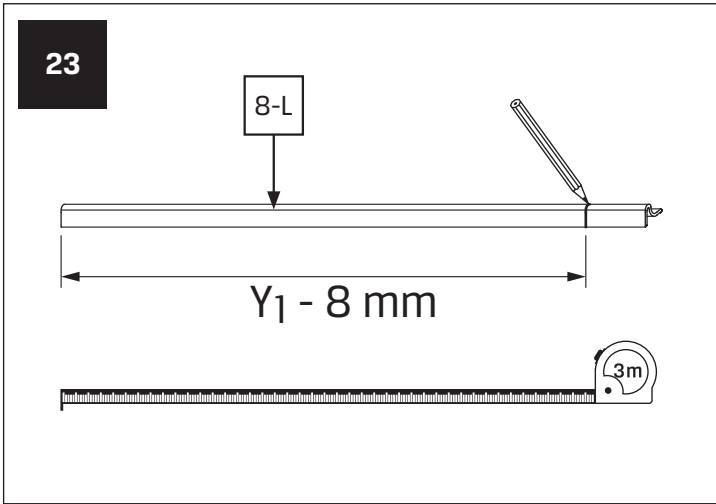


21

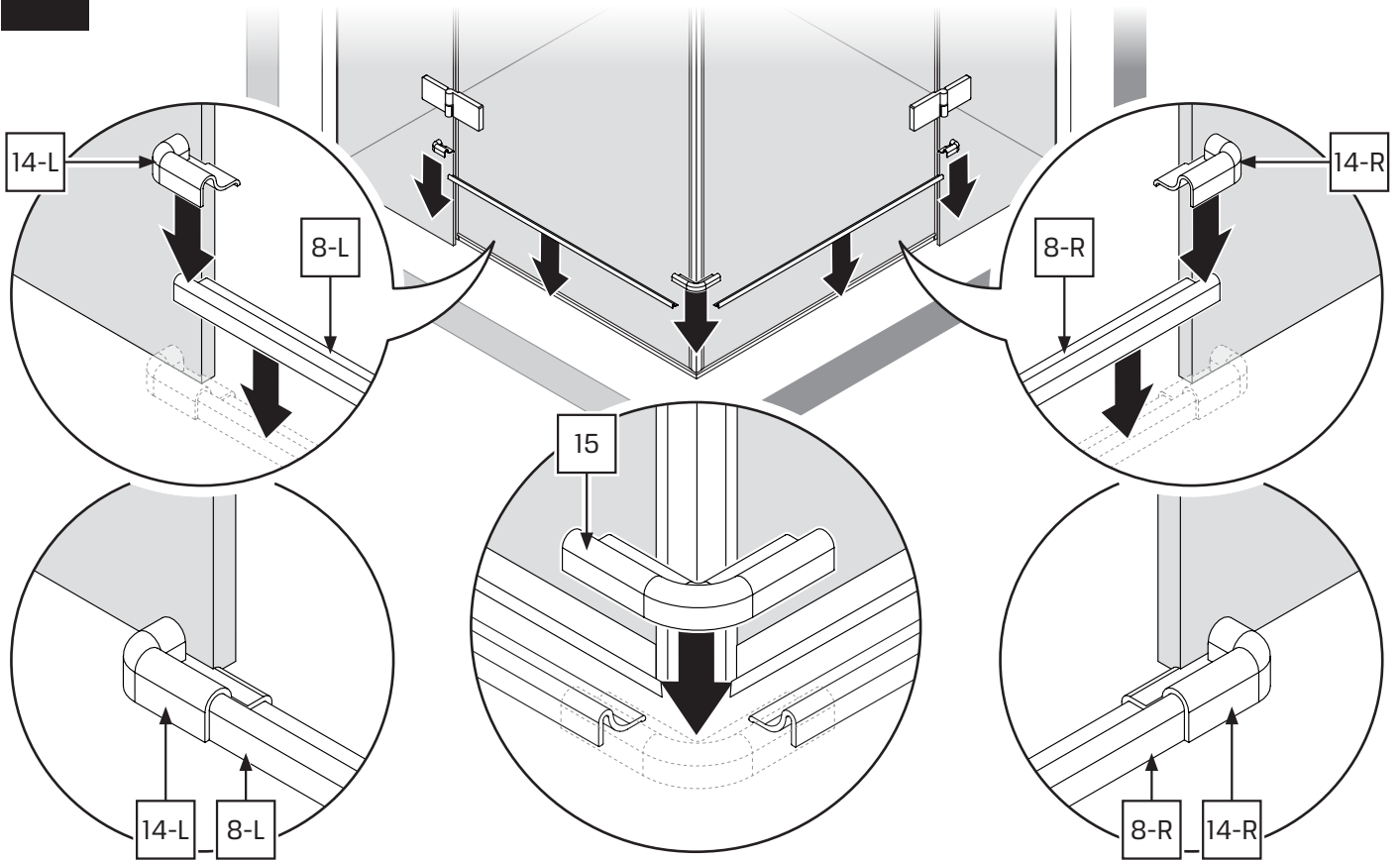


22

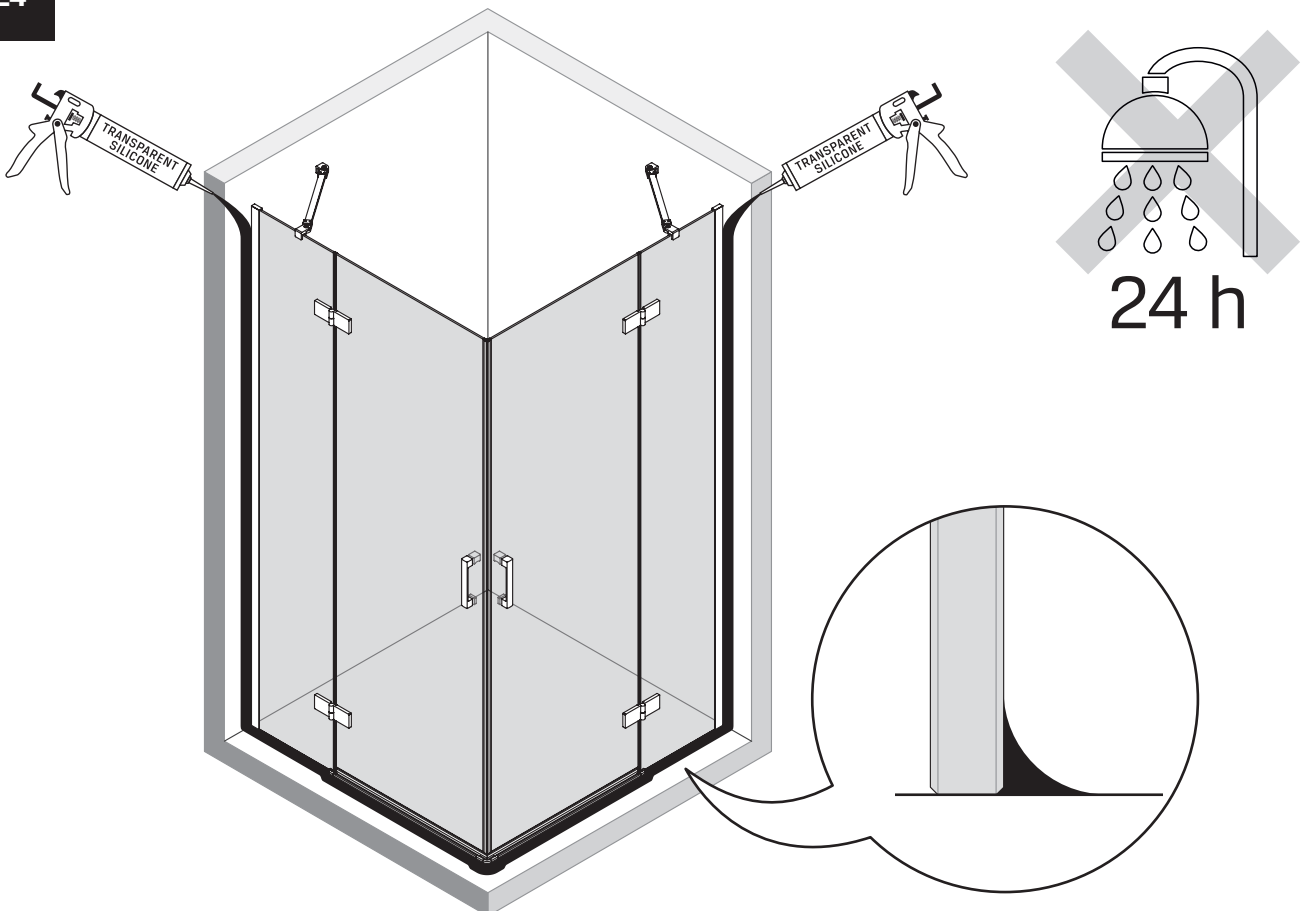


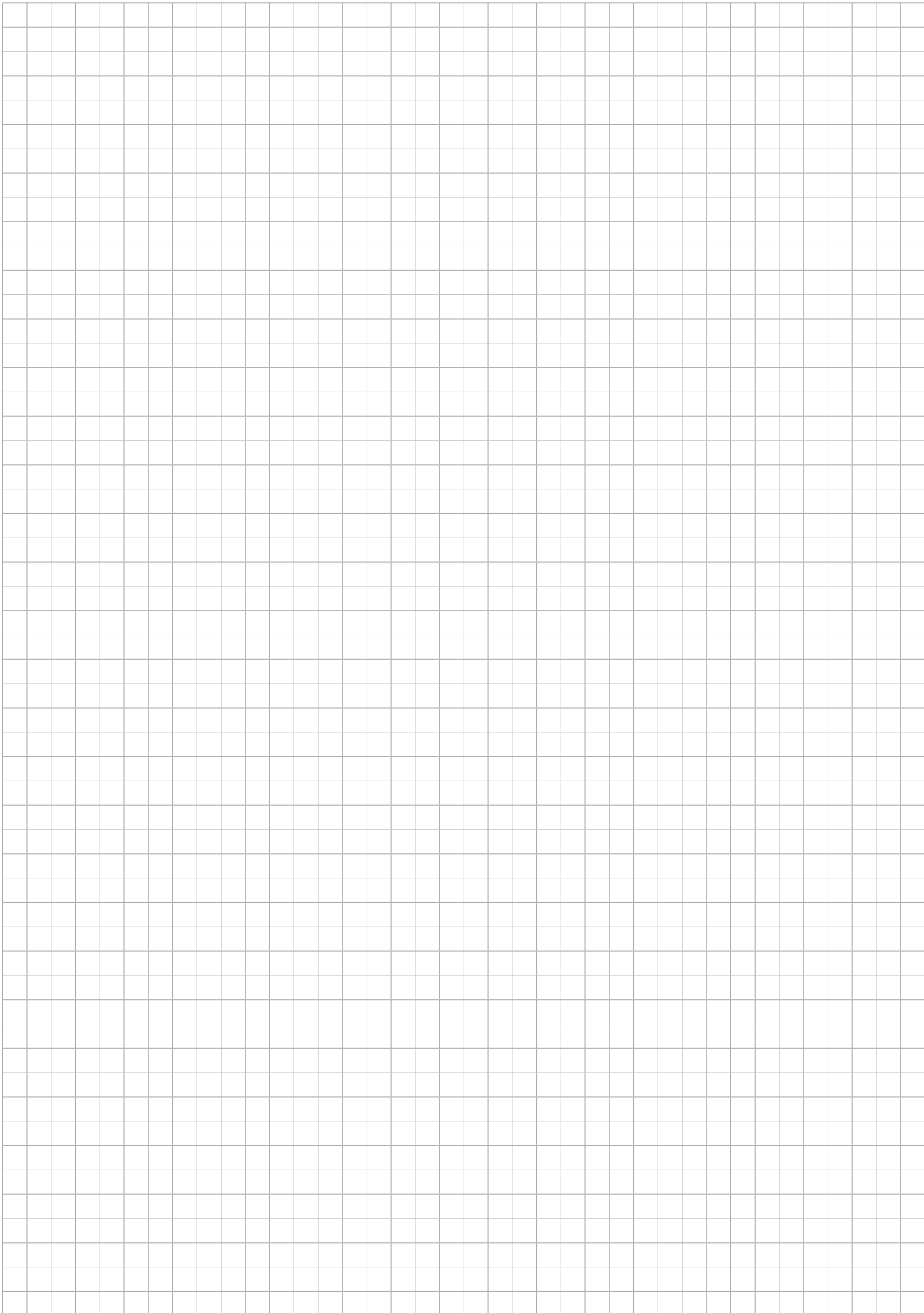


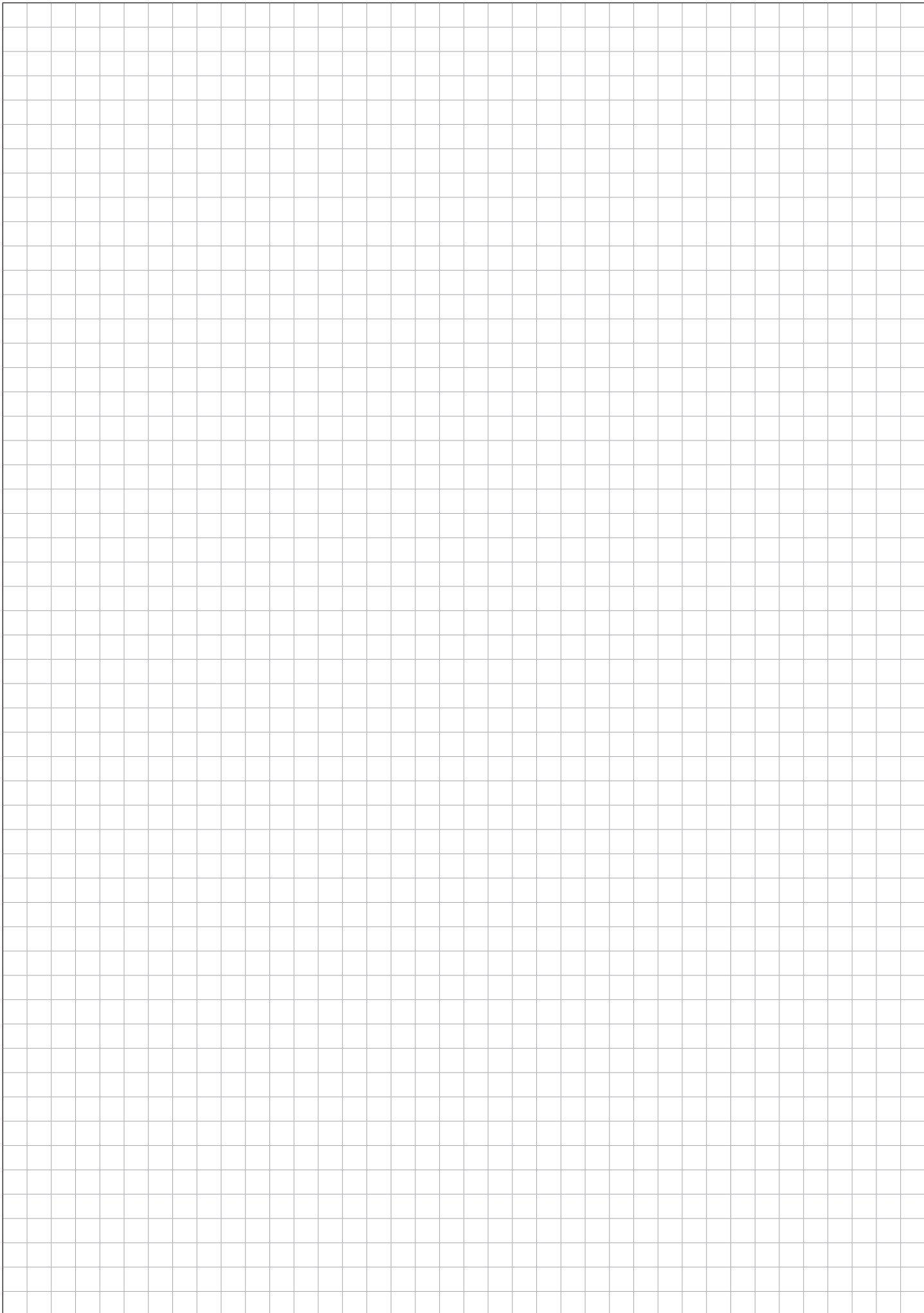
23.7



24









**NEW TRENDY Sp. z o.o.**

E-mail: [serwis@newtrendy.pl](mailto:serwis@newtrendy.pl)

[www.newtrendy.pl](http://www.newtrendy.pl)