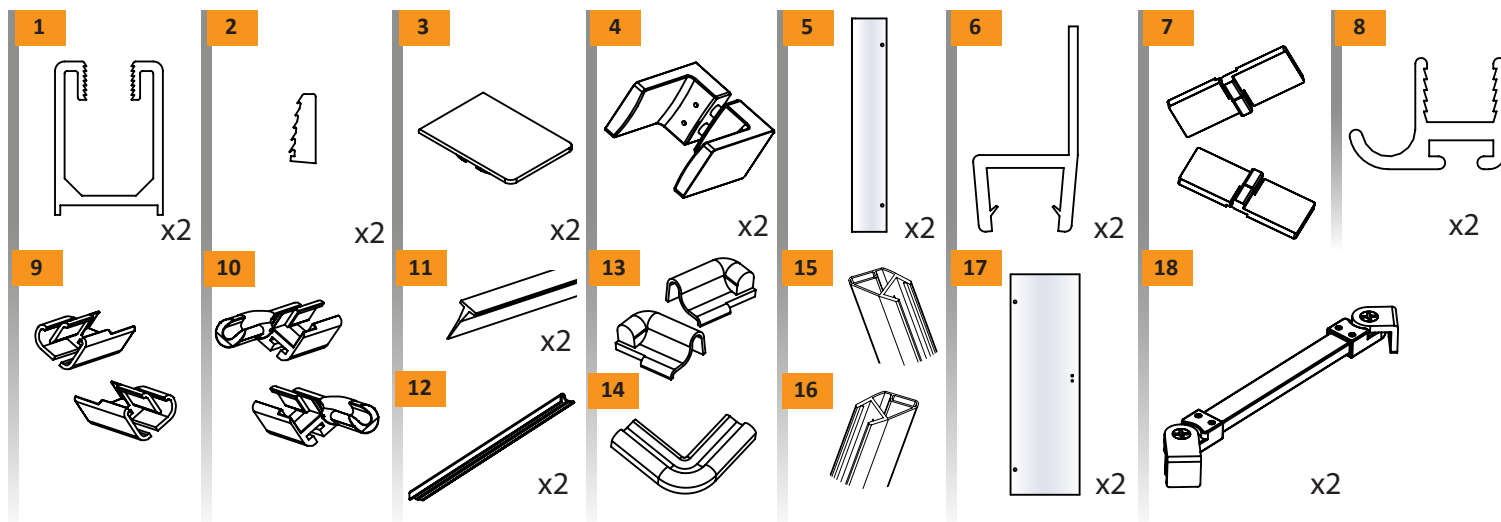
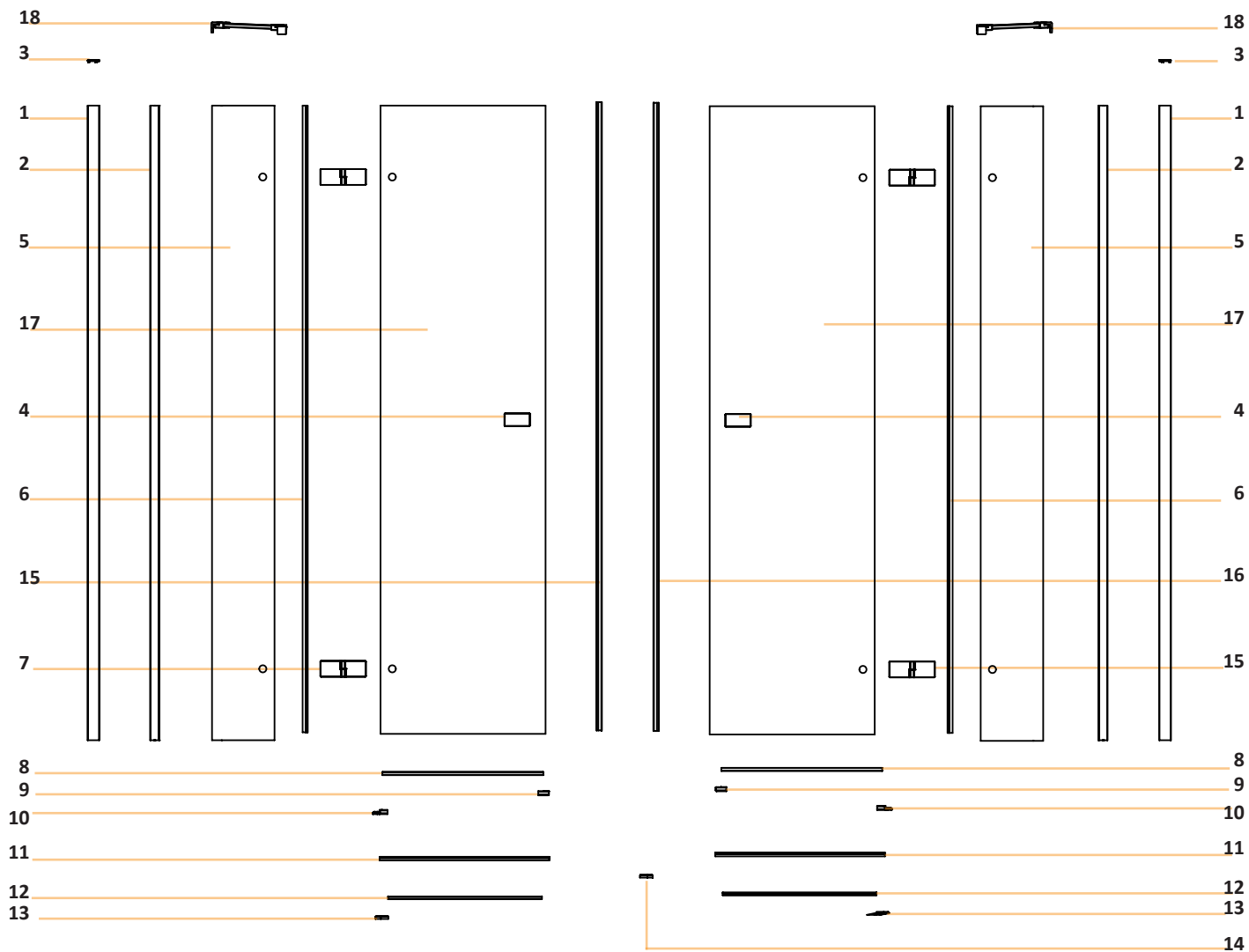
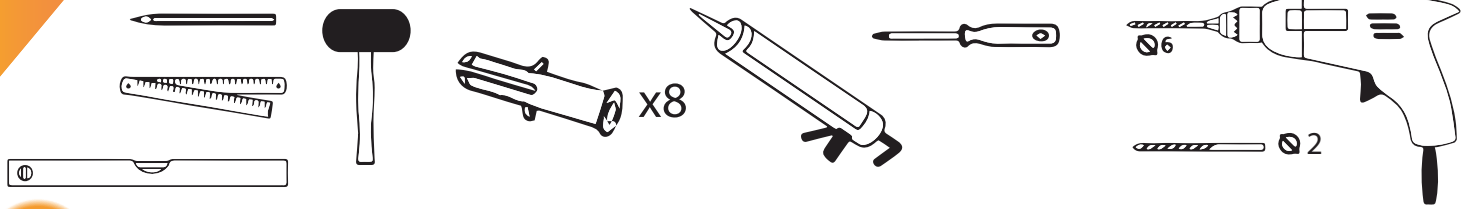


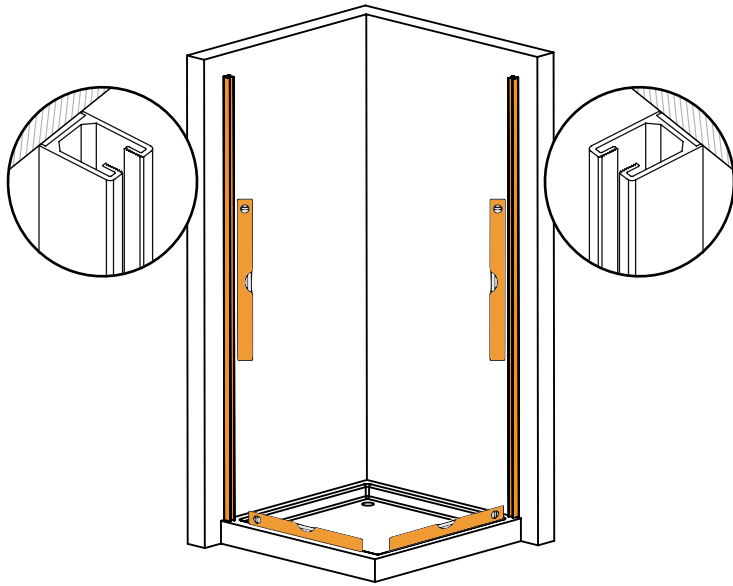


# REFLEXA / REFLEXA BLACK

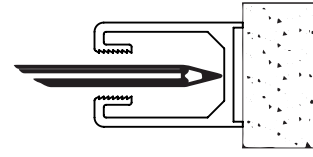




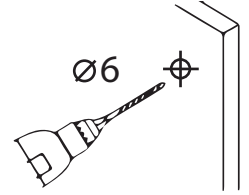
1



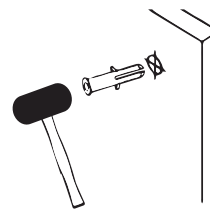
f



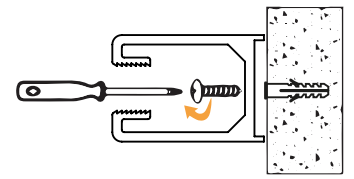
g



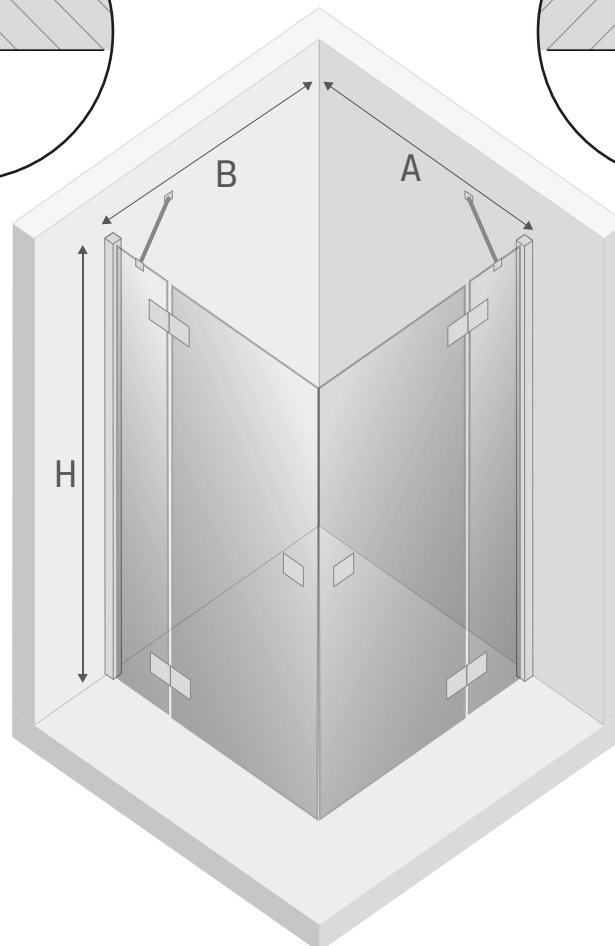
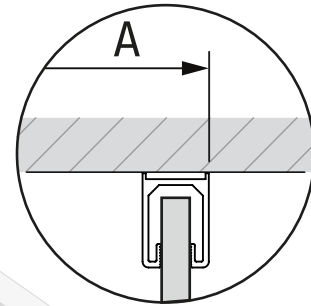
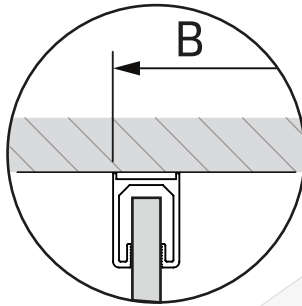
h

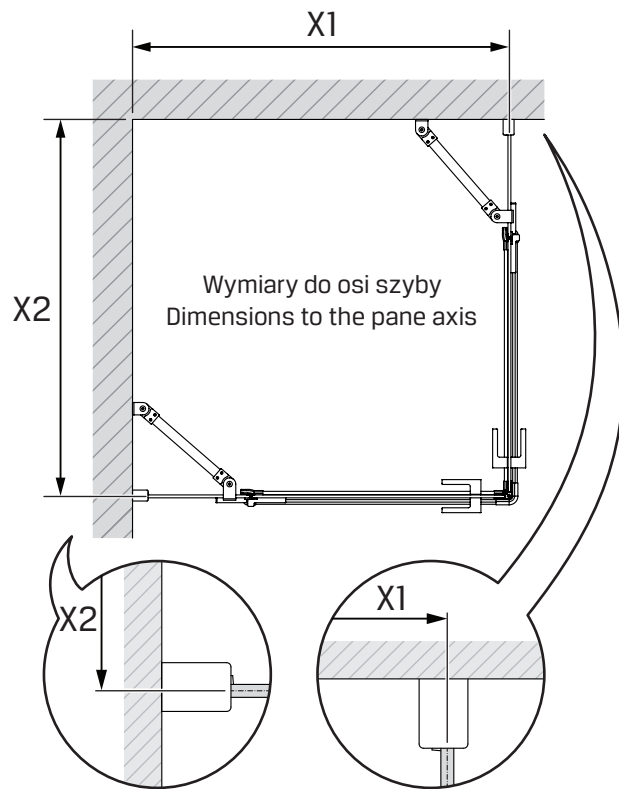
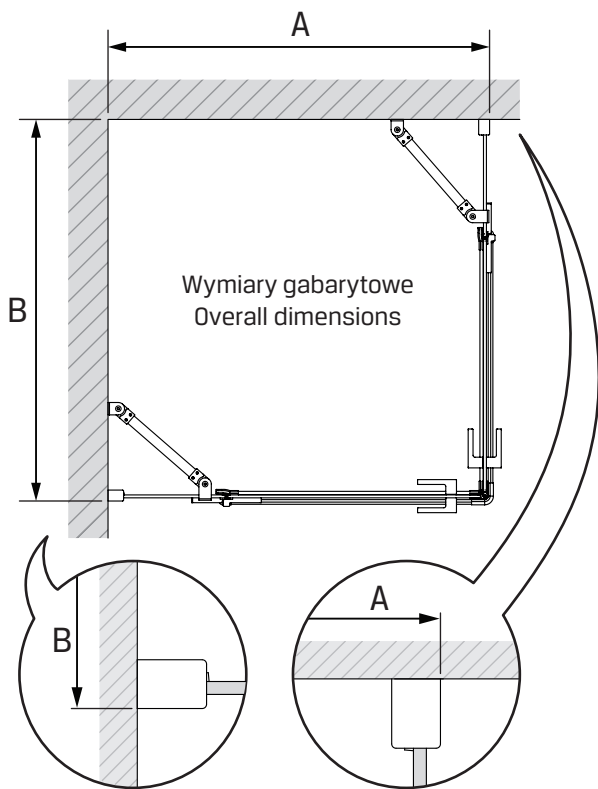


i



2





**TABELA NIE DOTYCZY KABIN NA WYMIAR!**  
**THE TABLE DOES NOT INCLUDE CUSTOM-MADE ENCLOSURES!**

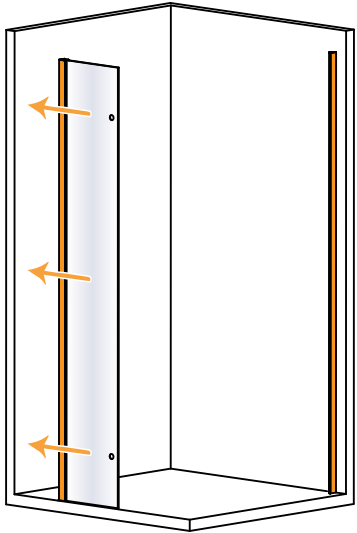
Specyfikacja techniczna **Kabin Na Wymiar** znajduje się w potwierdzeniu zamówienia.  
The technical specification of the **Custom-Made Cabin** can be found in the order confirmation.

	Wymiary gabarytowe Overall dimensions		Wymiary do osi szyby Dimensions to the pane axis	
	A	B	X1	X2
80x80x200	78,5-80	78,5-80	77,5-79	77,5-79
80x90x200	78,5-80	88,5-90	77,5-79	87,5-89
80x100x200	78,5-80	98,5-100	77,5-79	97,5-99
80x110x200	78,5-80	108,5-110	77,5-79	107,5-109
80x120x200	78,5-80	118,5-120	77,5-79	117,5-119
90x80x200	88,5-90	78,5-80	87,5-89	77,5-79
90x90x200	88,5-90	88,5-90	87,5-89	87,5-89
90x100x200	88,5-90	98,5-100	87,5-89	97,5-99
90x110x200	88,5-90	108,5-110	87,5-89	107,5-109
90x120x200	88,5-90	118,5-120	87,5-89	117,5-119
100x80x200	98,5-100	78,5-80	97,5-99	77,5-79
100x90x200	98,5-100	88,5-90	97,5-99	87,5-89
100x100x200	98,5-100	98,5-100	97,5-99	97,5-99

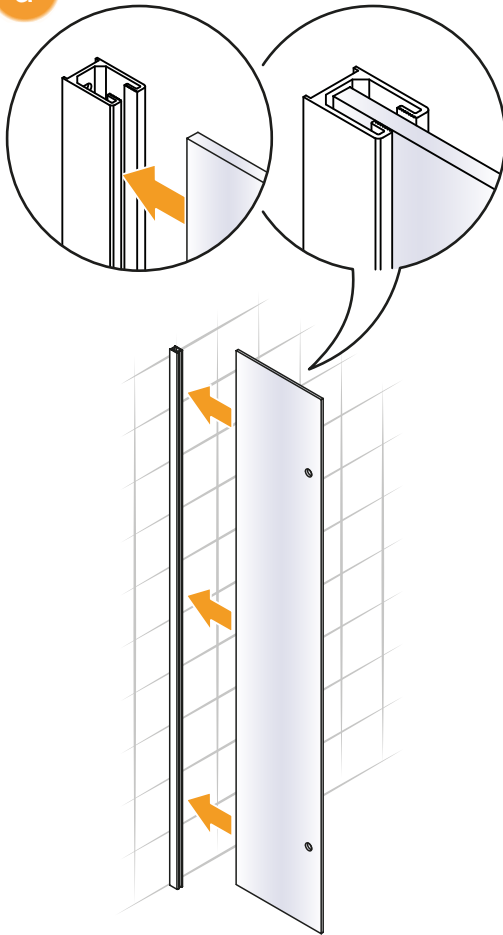
	Wymiary gabarytowe Overall dimensions		Wymiary do osi szyby Dimensions to the pane axis	
	A	B	X1	X2
100x110x200	98,5-100	108,5-110	97,5-99	107,5-109
100x120x200	98,5-100	118,5-120	97,5-99	117,5-119
110x80x200	108,5-110	78,5-80	107,5-109	77,5-79
110x90x200	108,5-110	88,5-90	107,5-109	87,5-89
110x100x200	108,5-110	98,5-100	107,5-109	97,5-99
110x110x200	108,5-110	108,5-110	107,5-109	107,5-109
110x120x200	108,5-110	118,5-120	107,5-109	117,5-119
120x80x200	118,5-120	78,5-80	117,5-119	77,5-79
120x90x200	118,5-120	88,5-90	117,5-119	87,5-89
120x100x200	118,5-120	98,5-100	117,5-119	97,5-99
120x110x200	118,5-120	108,5-110	117,5-119	107,5-109
120x120x200	118,5-120	118,5-120	117,5-119	117,5-119

3

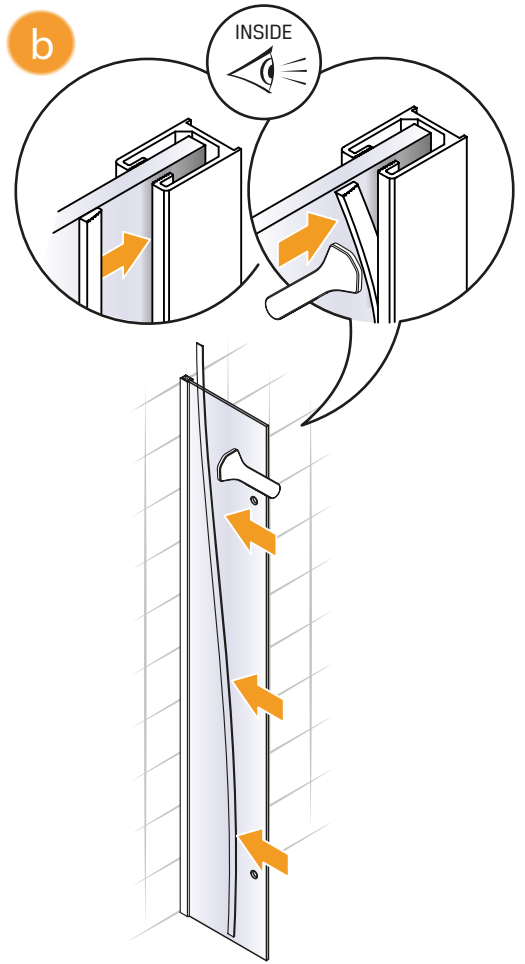
Active Shield  
INSIDE



a

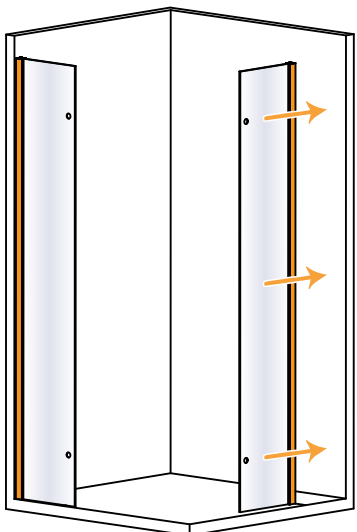


b

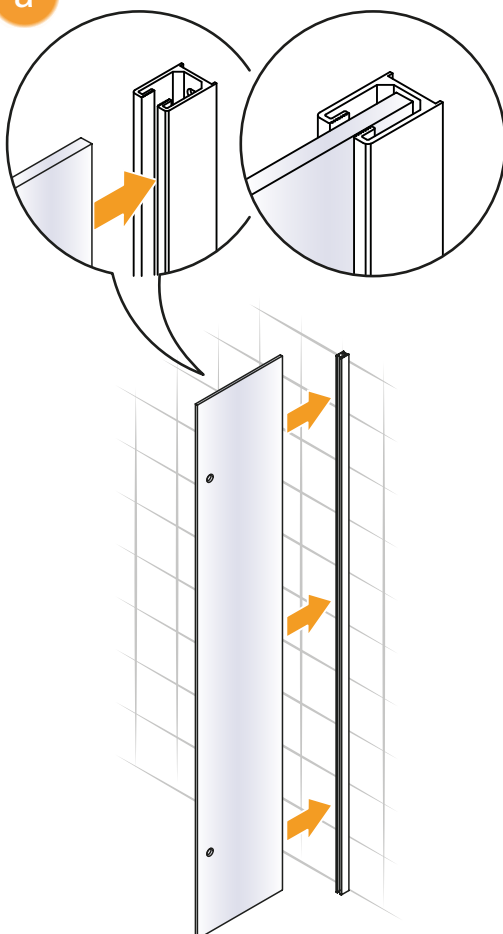


4

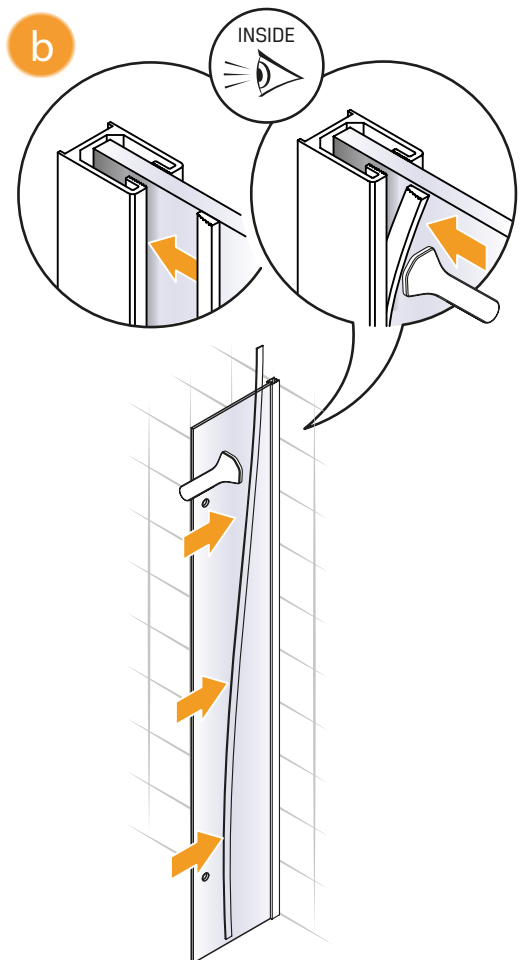
Active Shield  
INSIDE



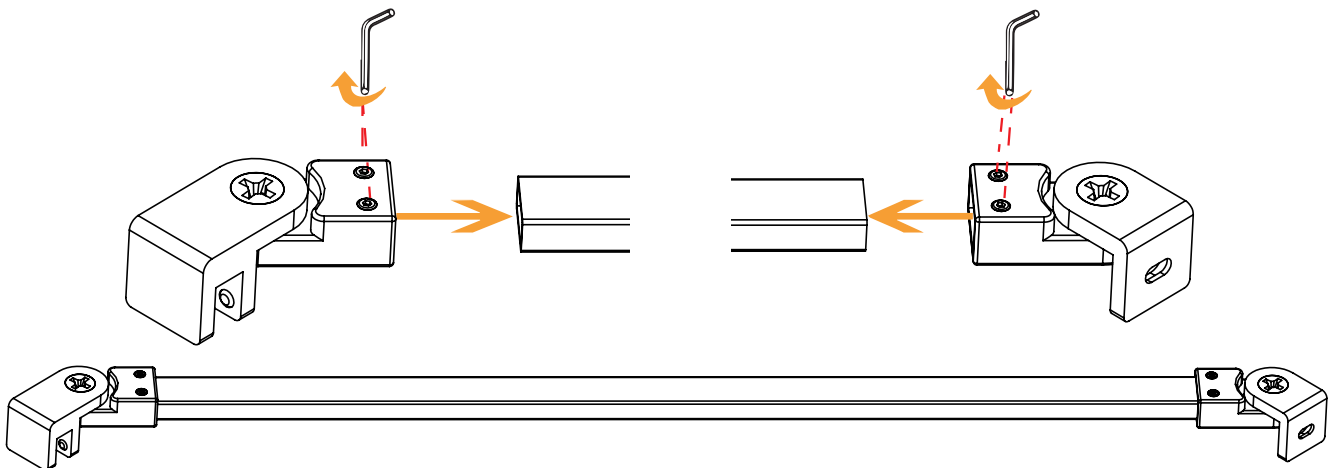
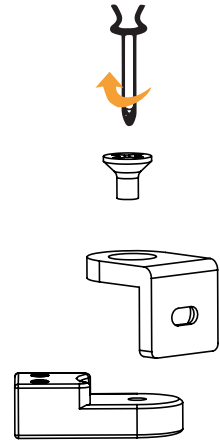
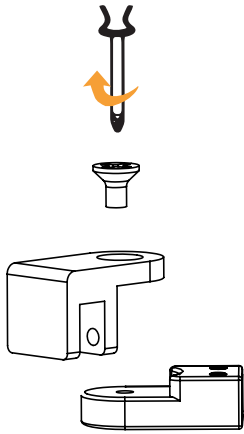
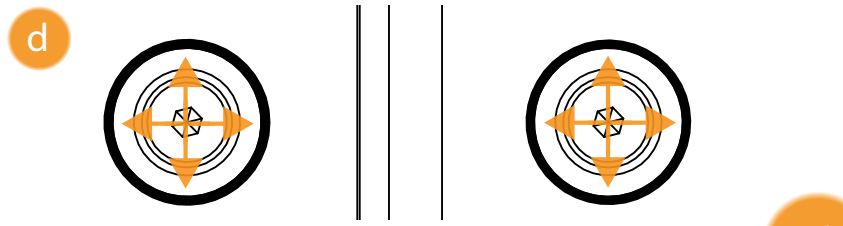
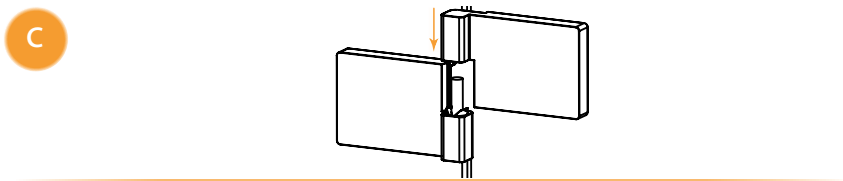
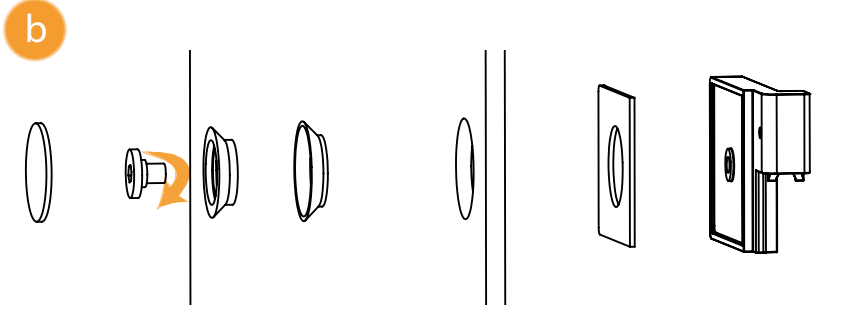
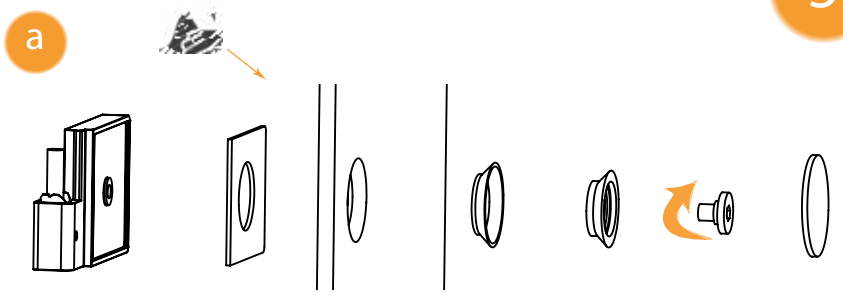
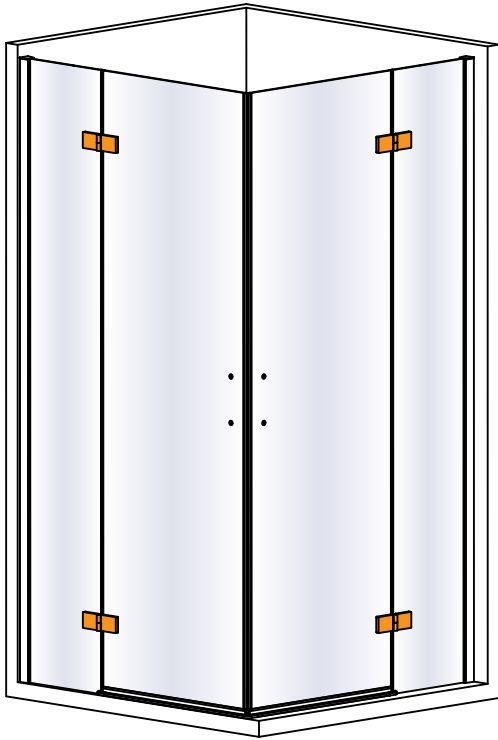
a



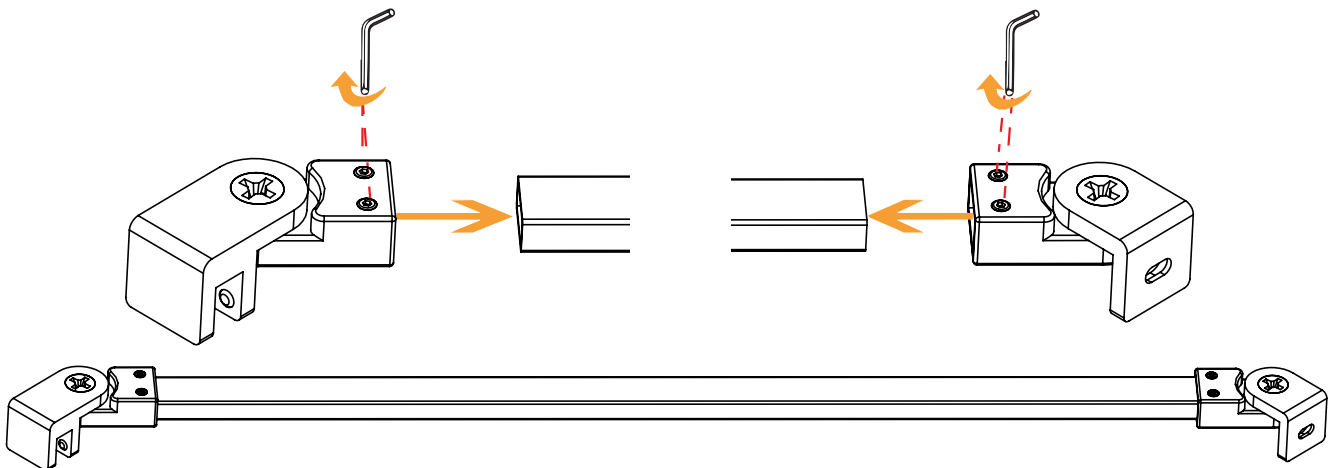
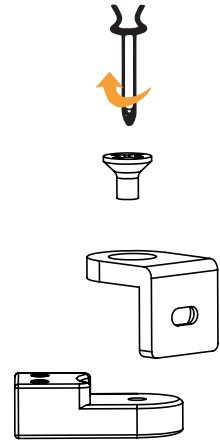
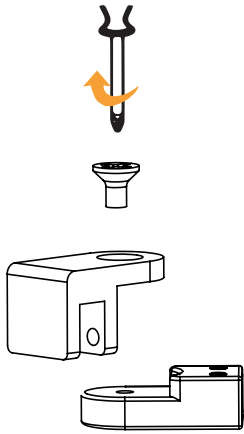
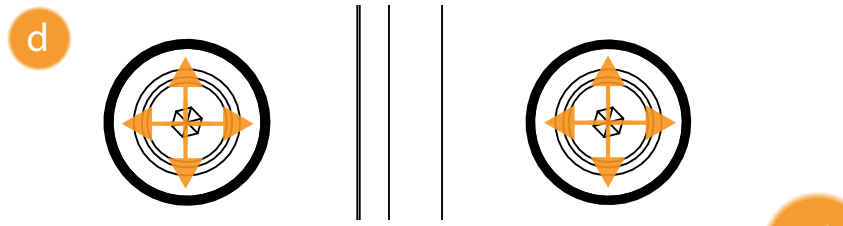
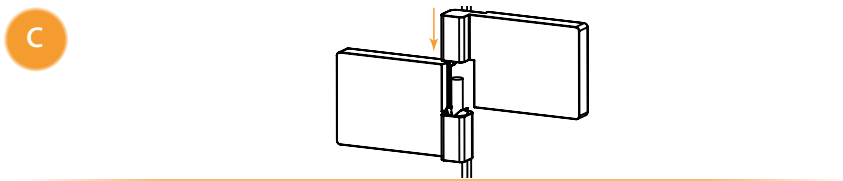
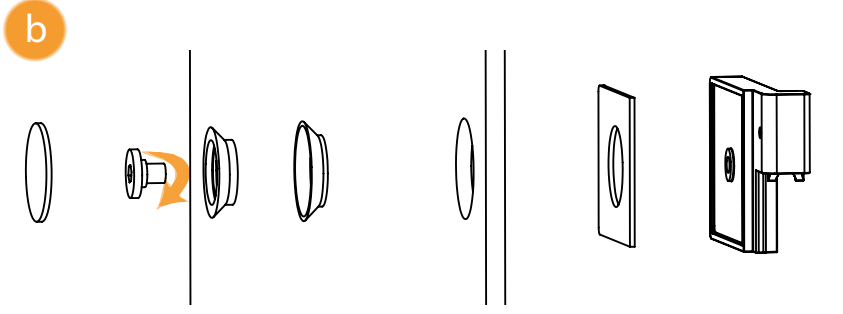
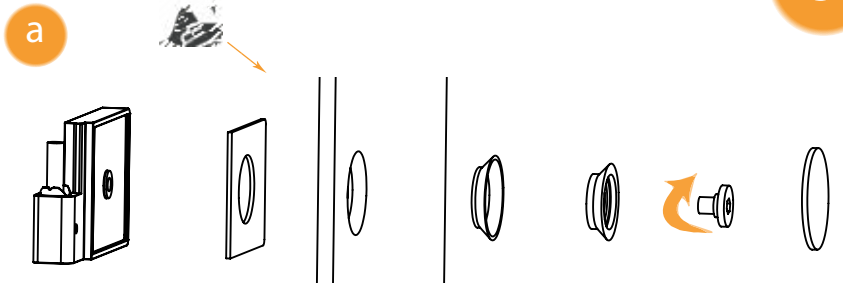
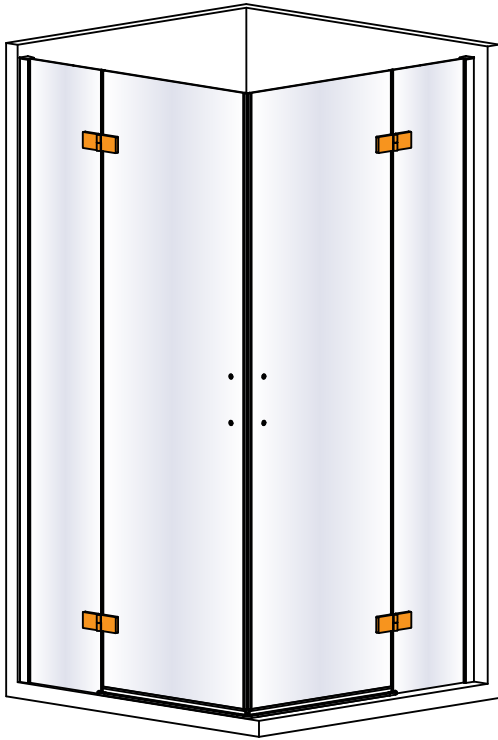
b



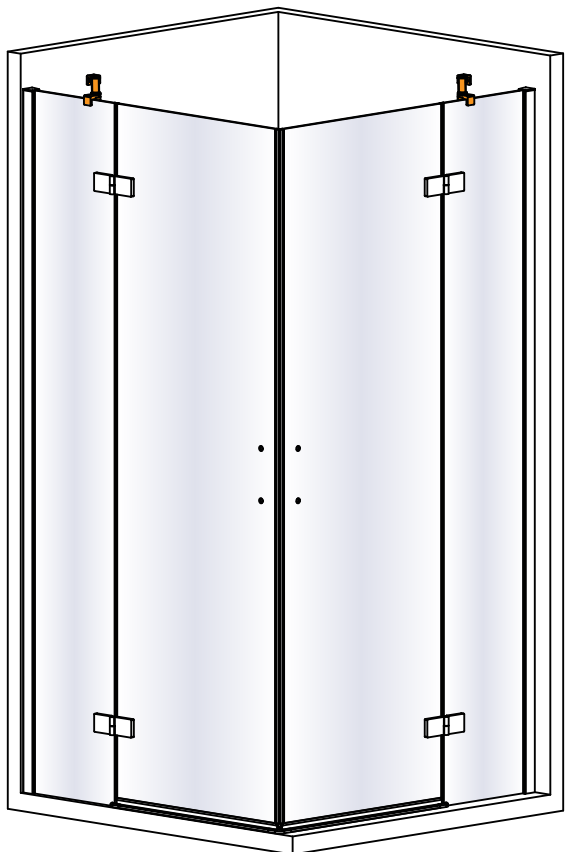
Active Shield  
INSIDE



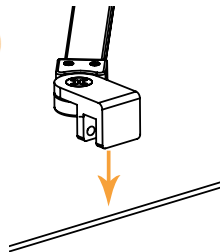
Active  
Shield  
INSIDE



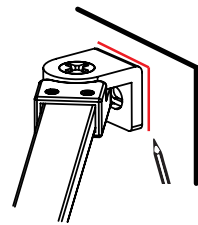
7



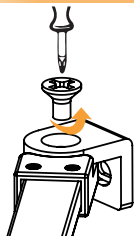
a



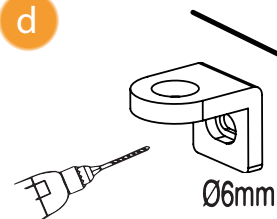
b



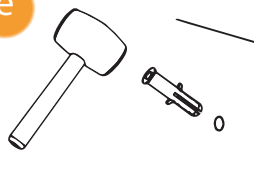
c



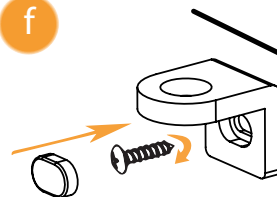
d



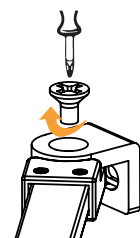
e



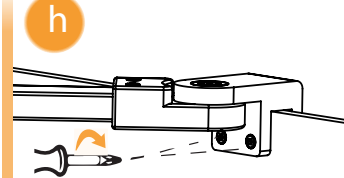
f



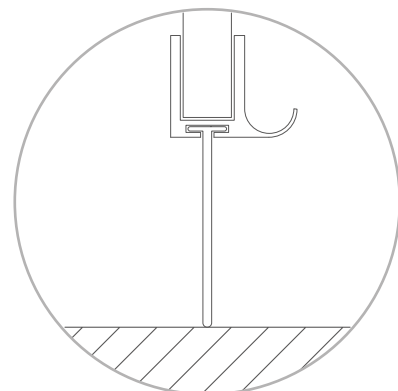
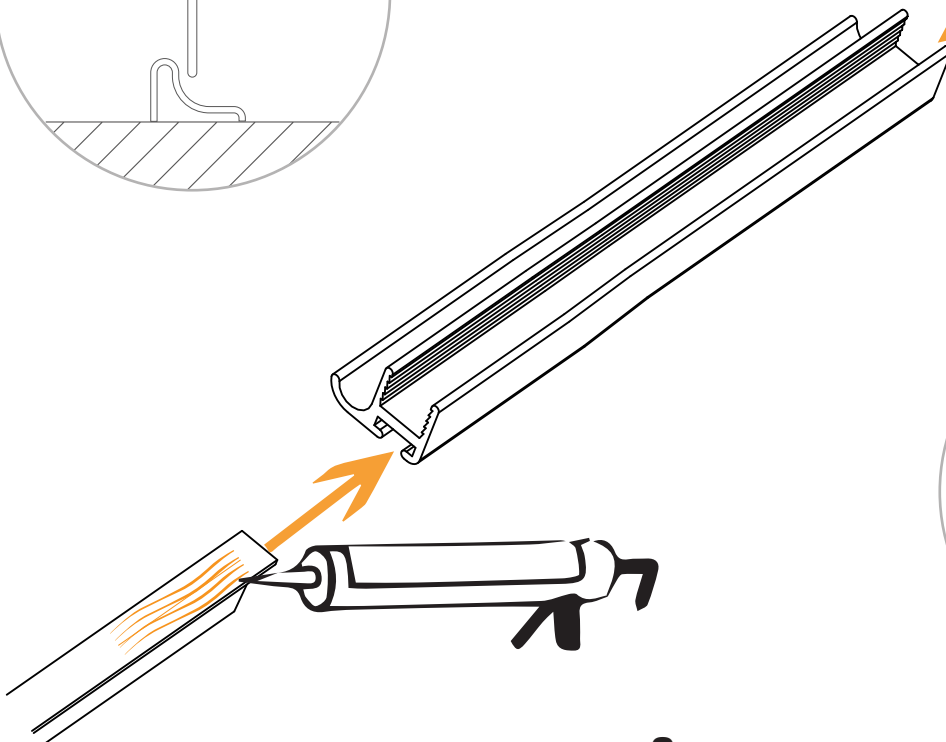
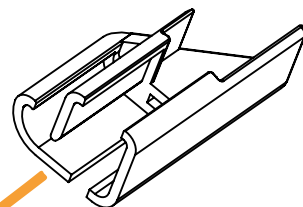
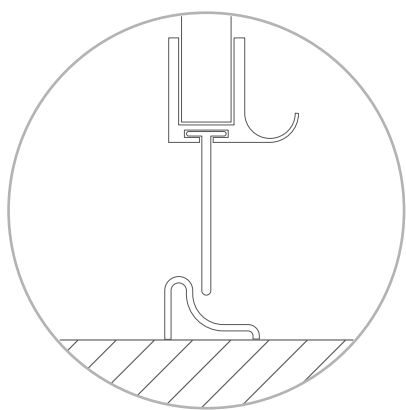
g

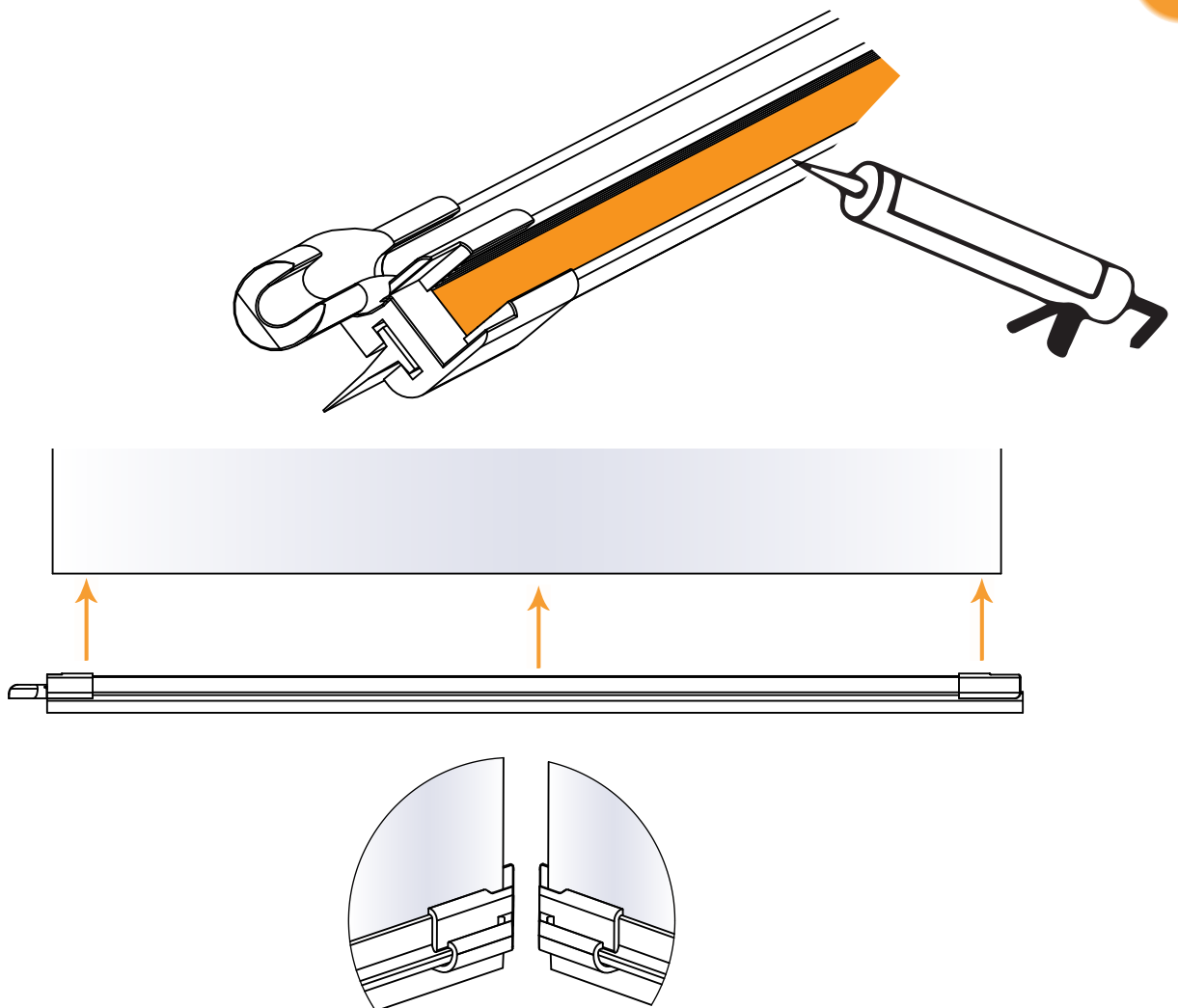
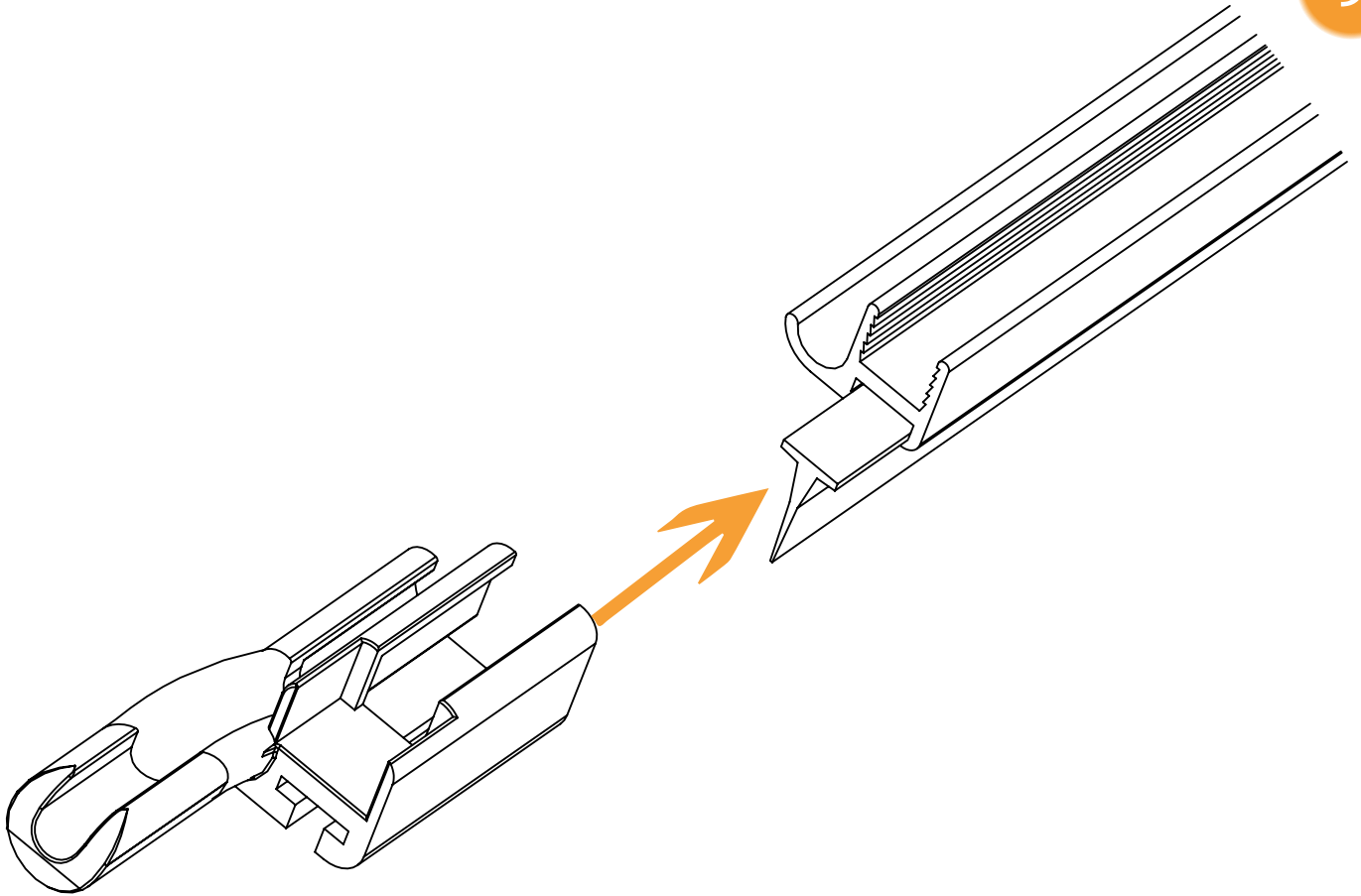


h



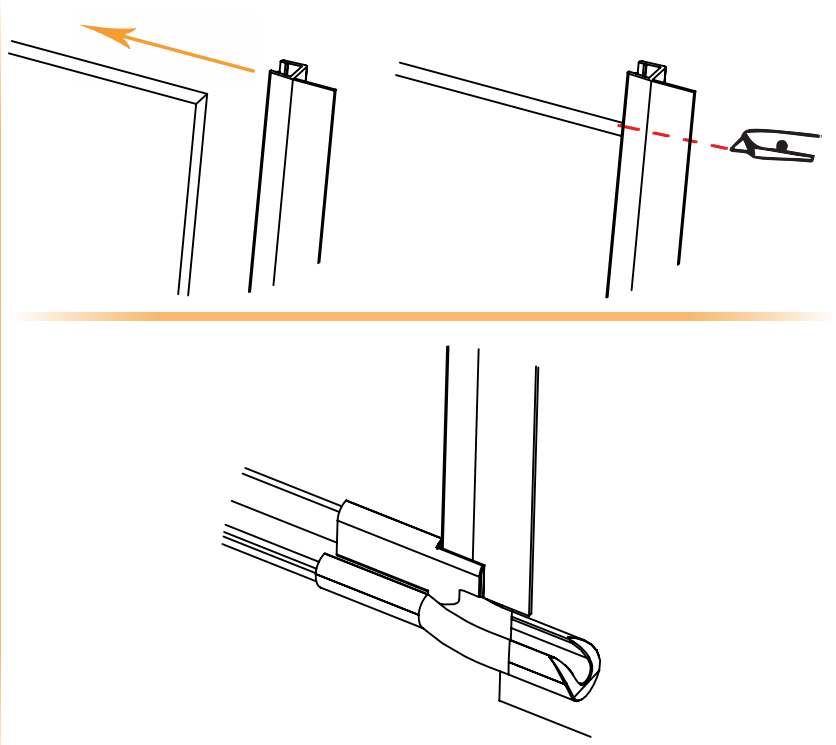
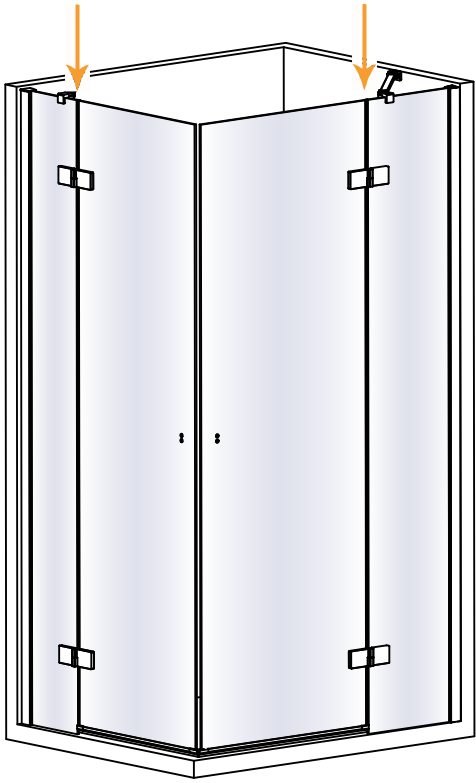
8



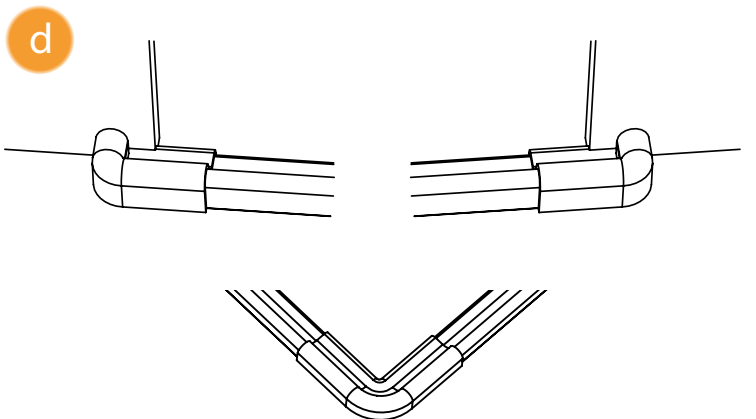
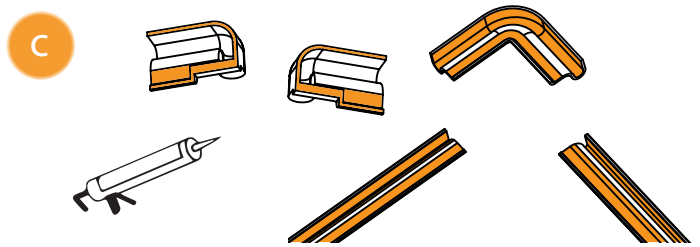
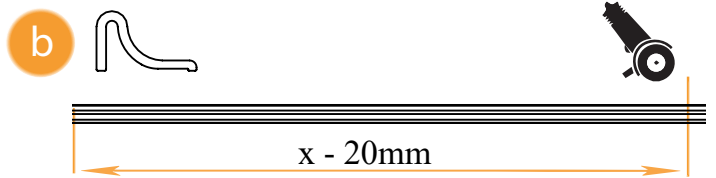
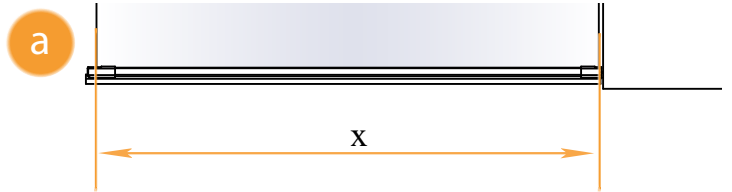
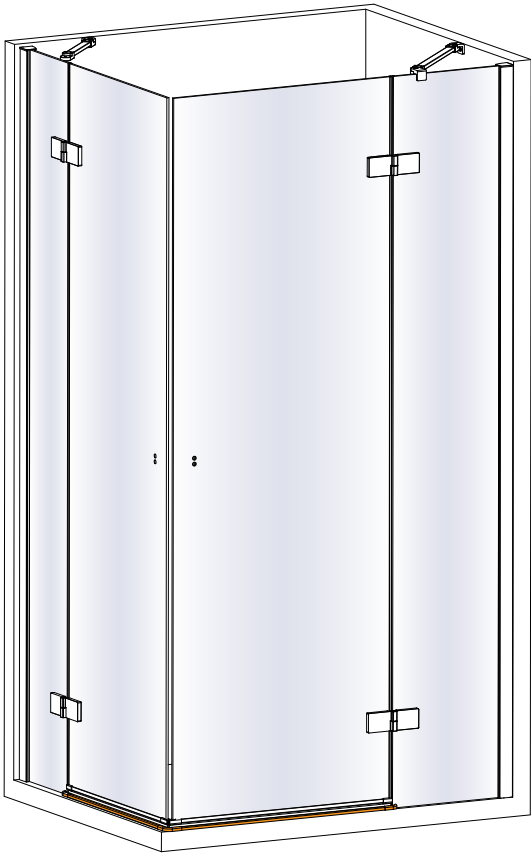


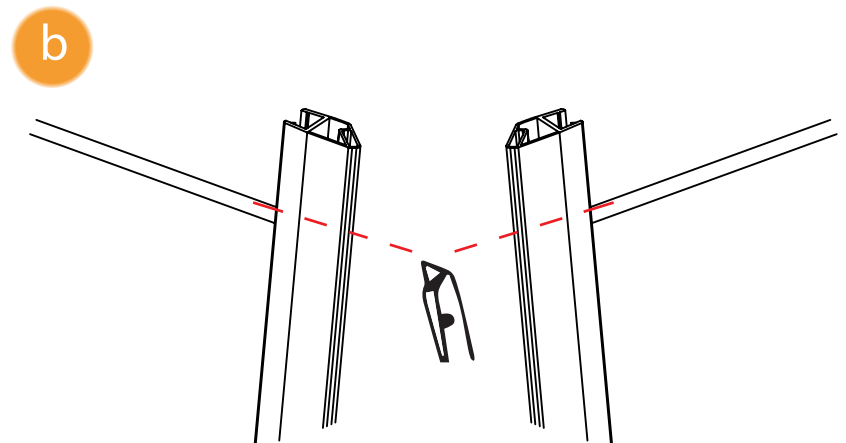
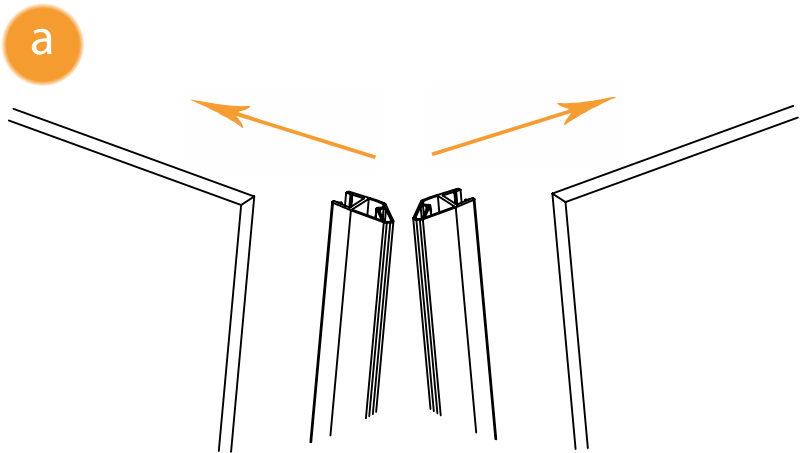
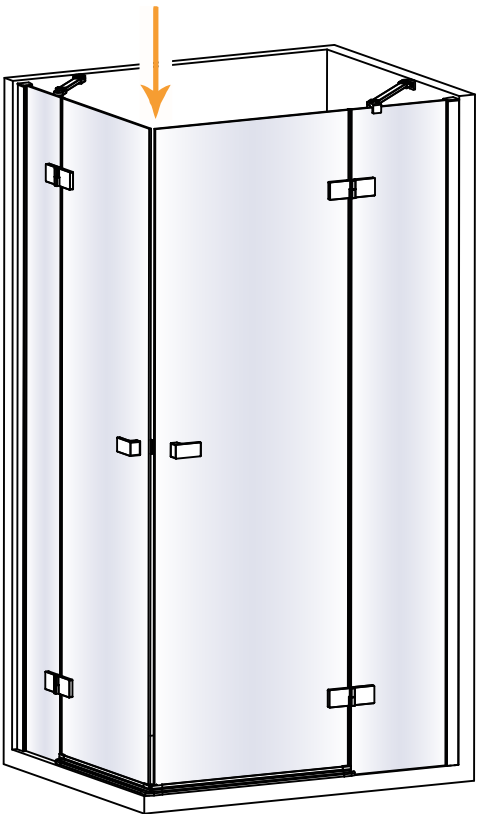
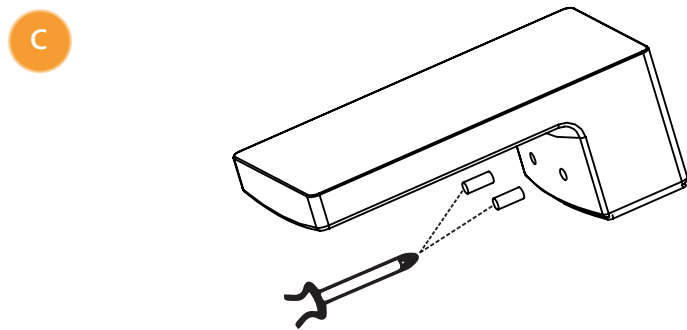
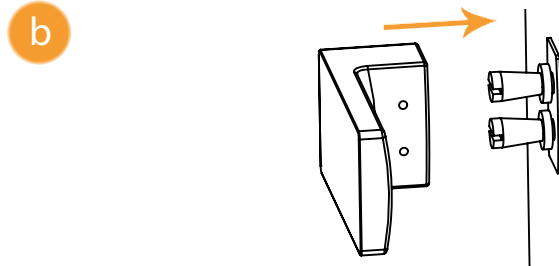
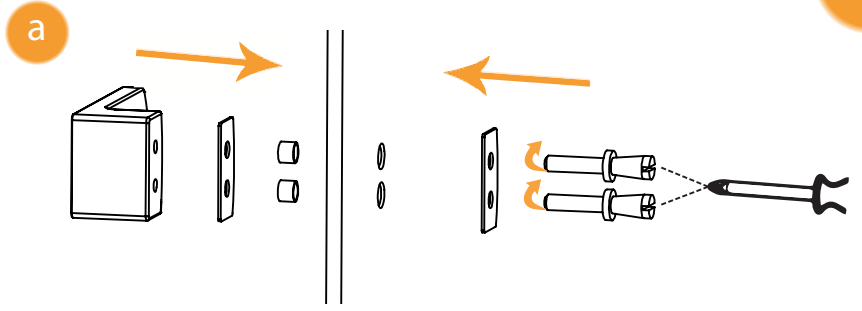
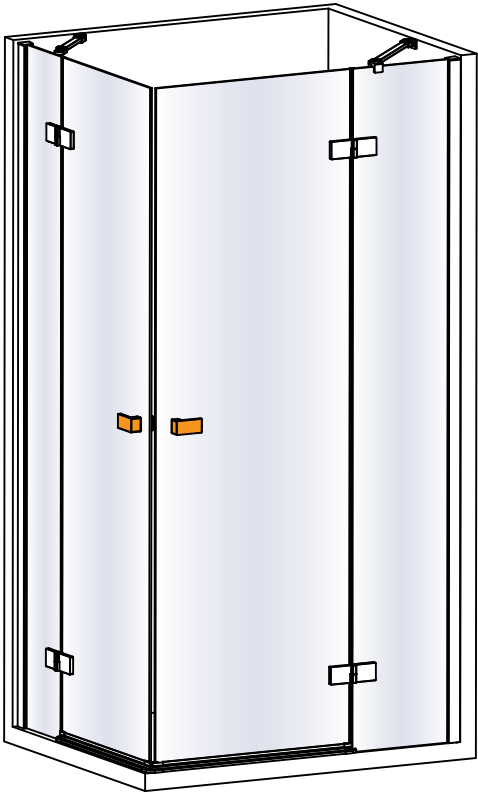


11

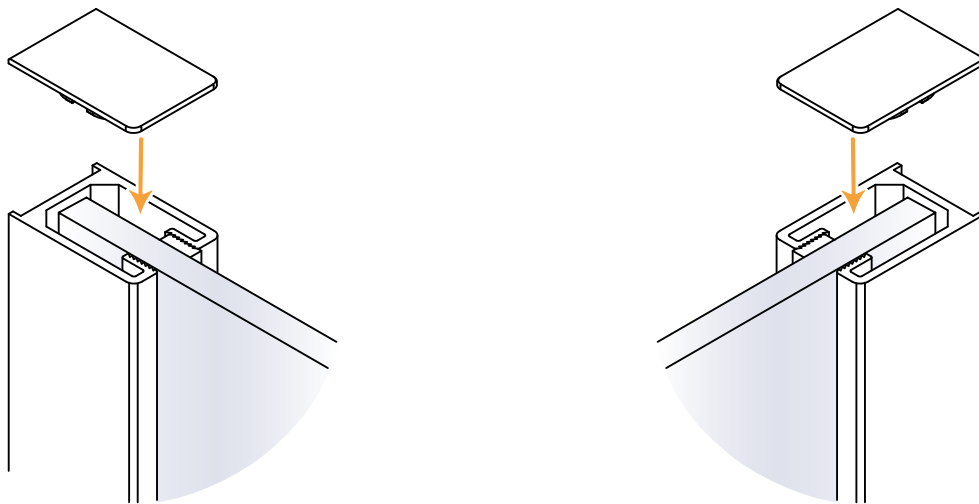


12





15



16



24H

