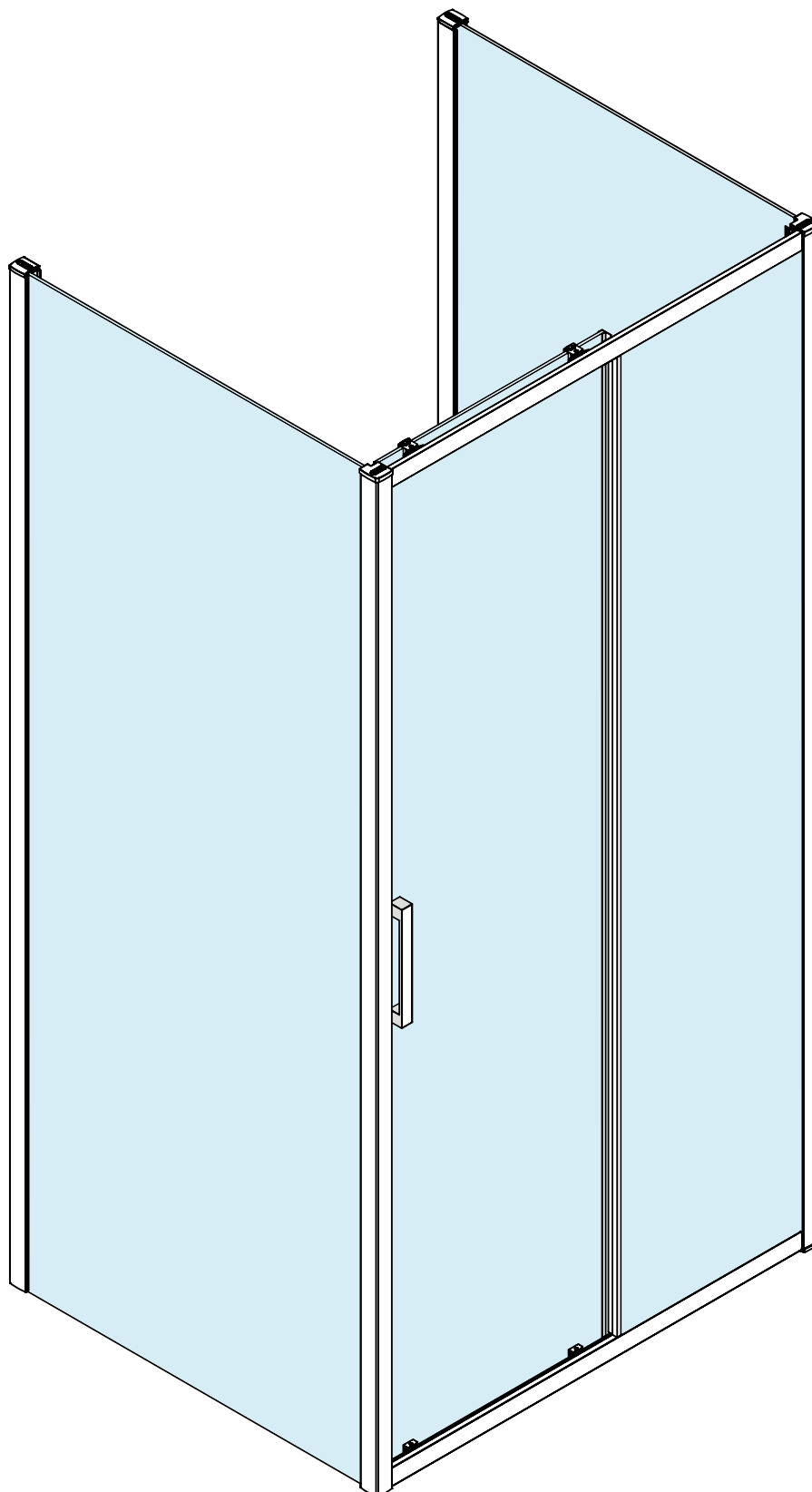
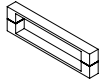
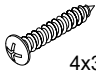



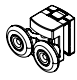

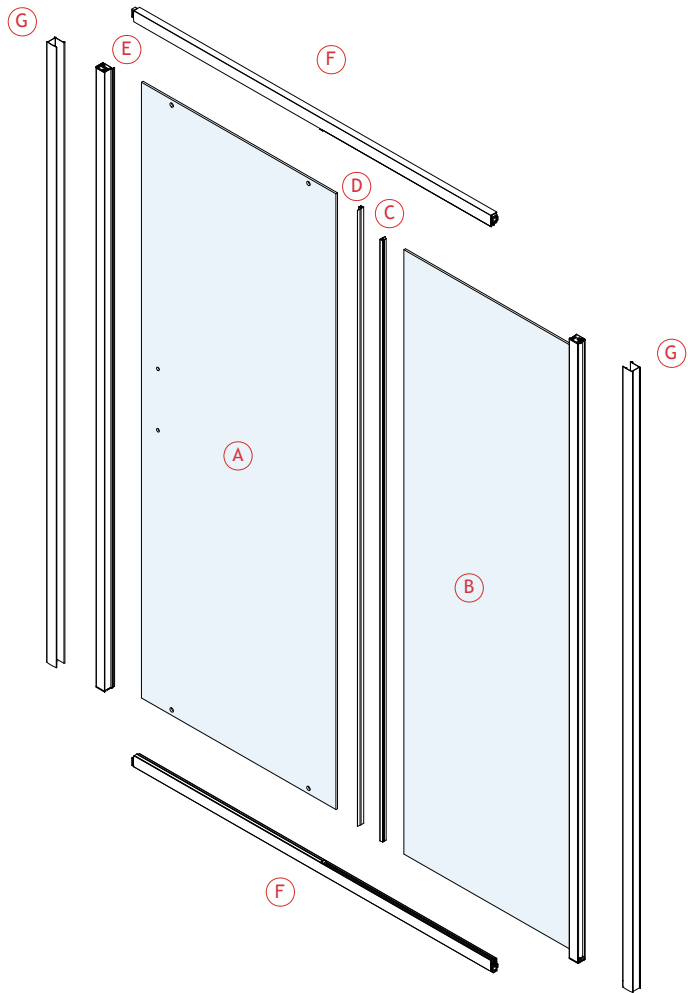







NEW CORRINA

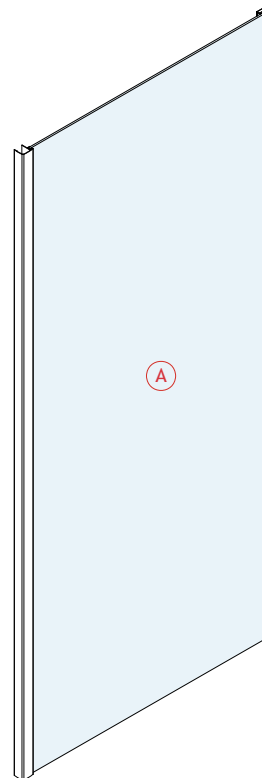


Element		Ilość
(I)		1x
(J)	 4x30	6x
(K)		6x
(L)	 5x12	2x
(M)		1x
(N)		2x
(O)		2x

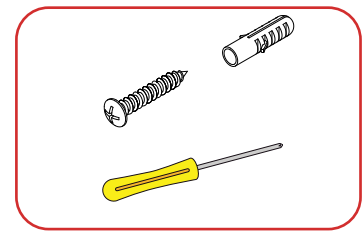
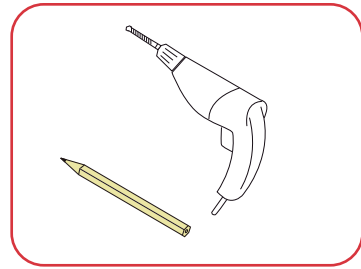
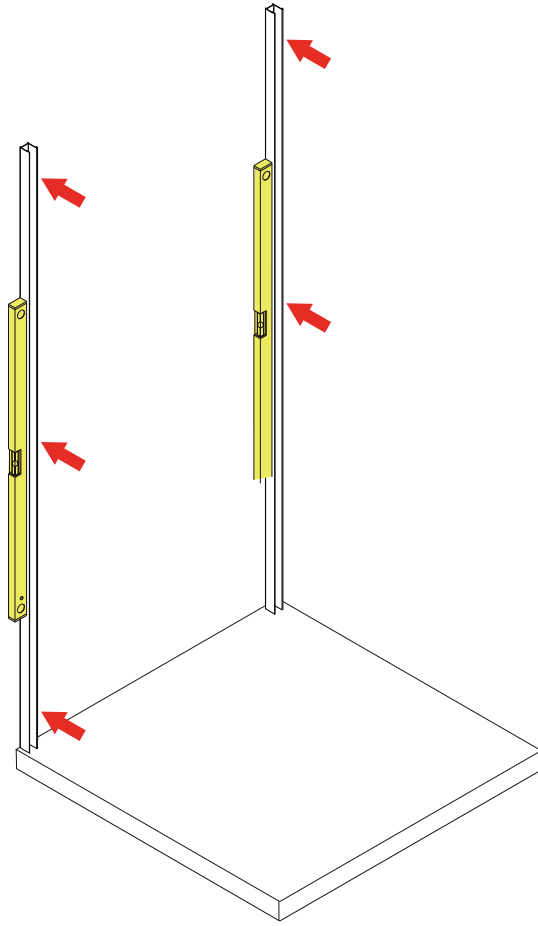


x2

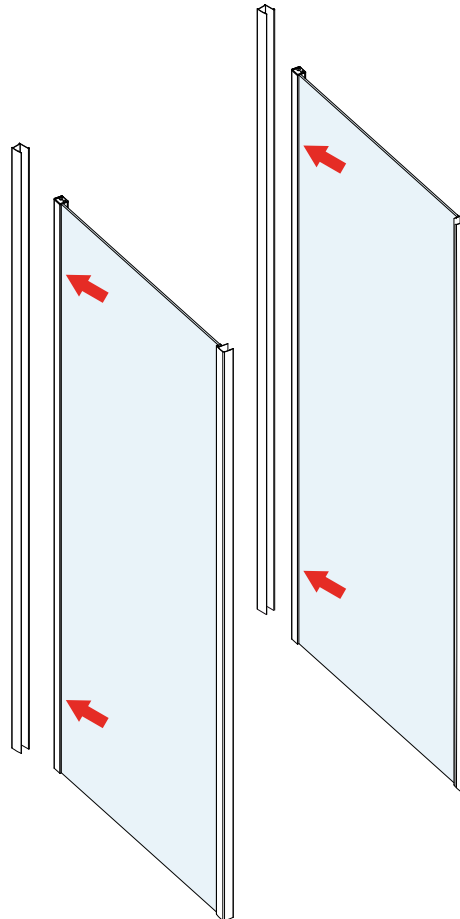
Element		Ilość
(B)		1L+1R
(C)	 5x12	1x
(D)		1L+1R

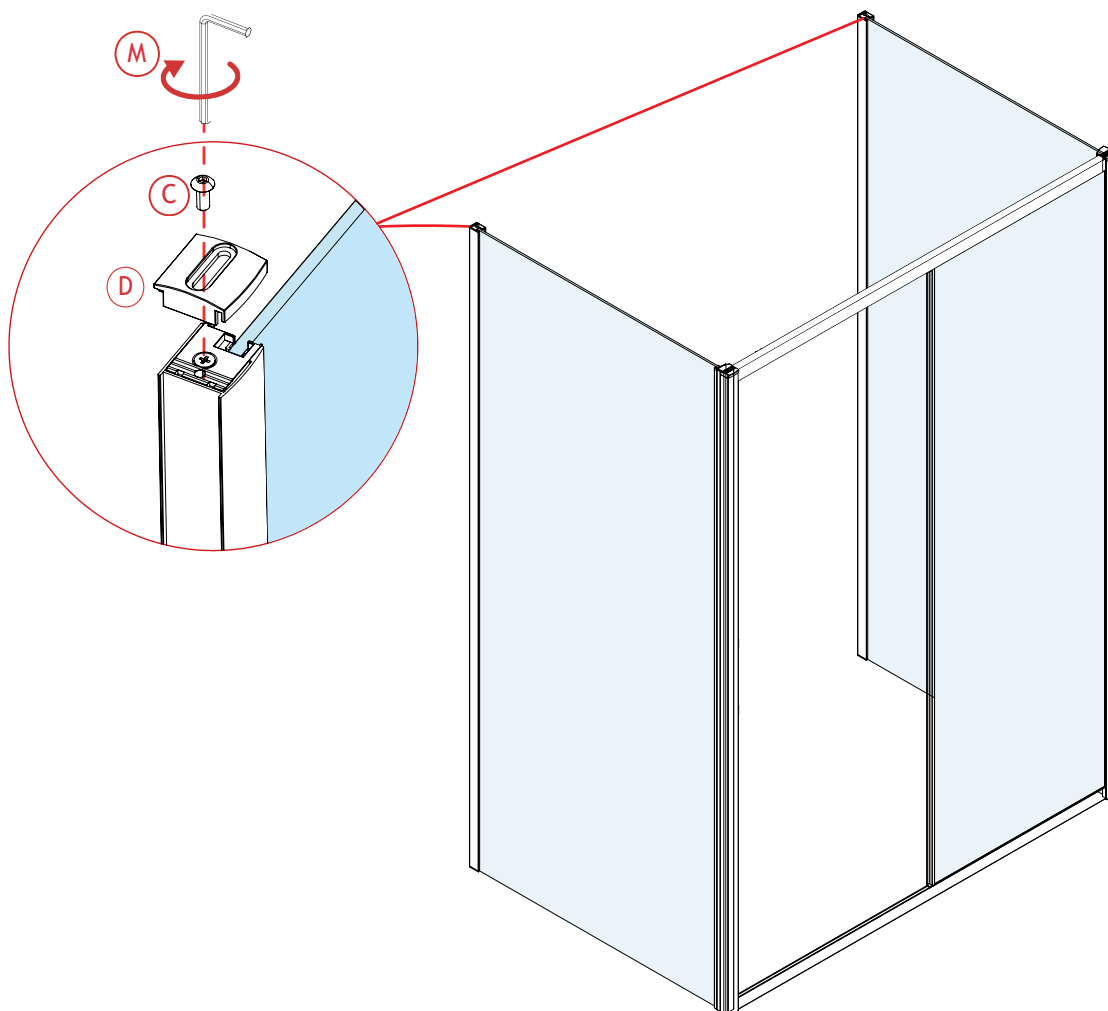
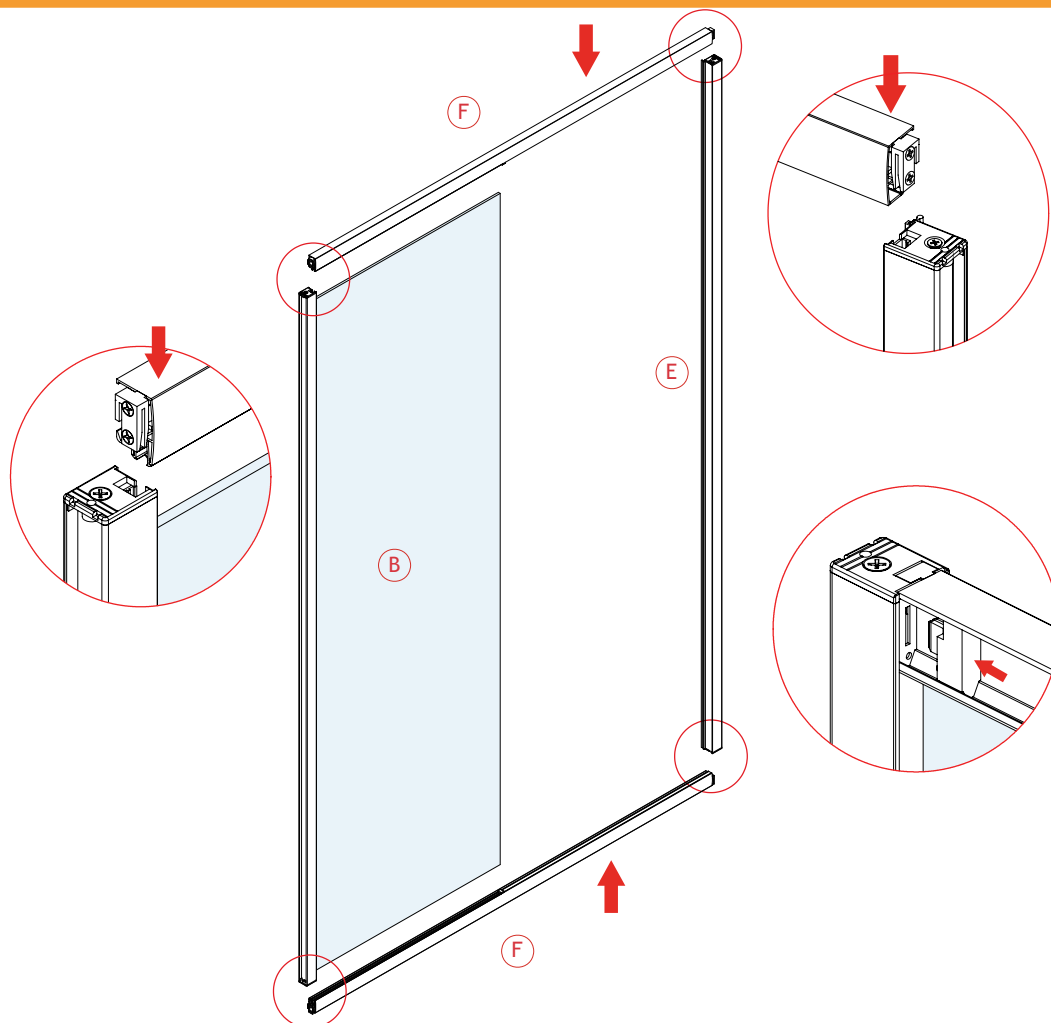


1

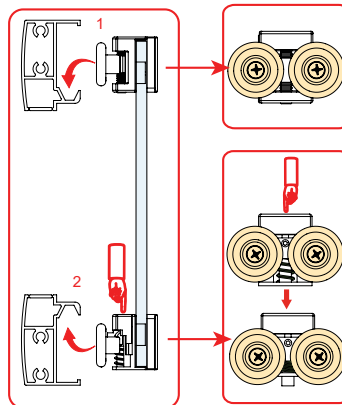
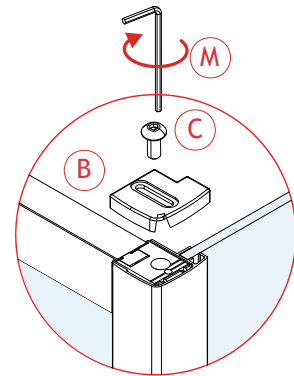
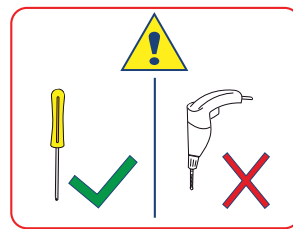
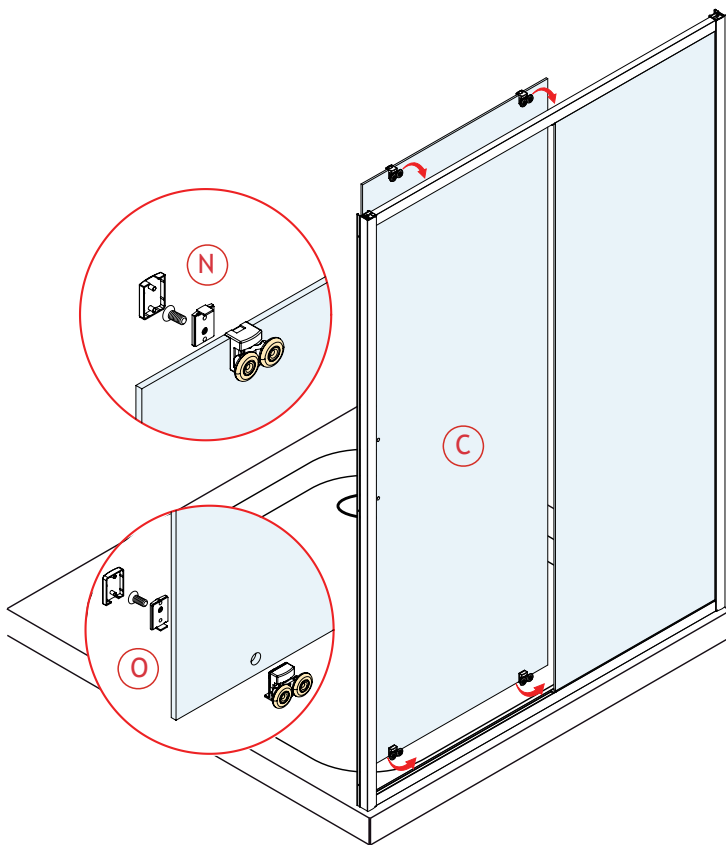


2





5



6

